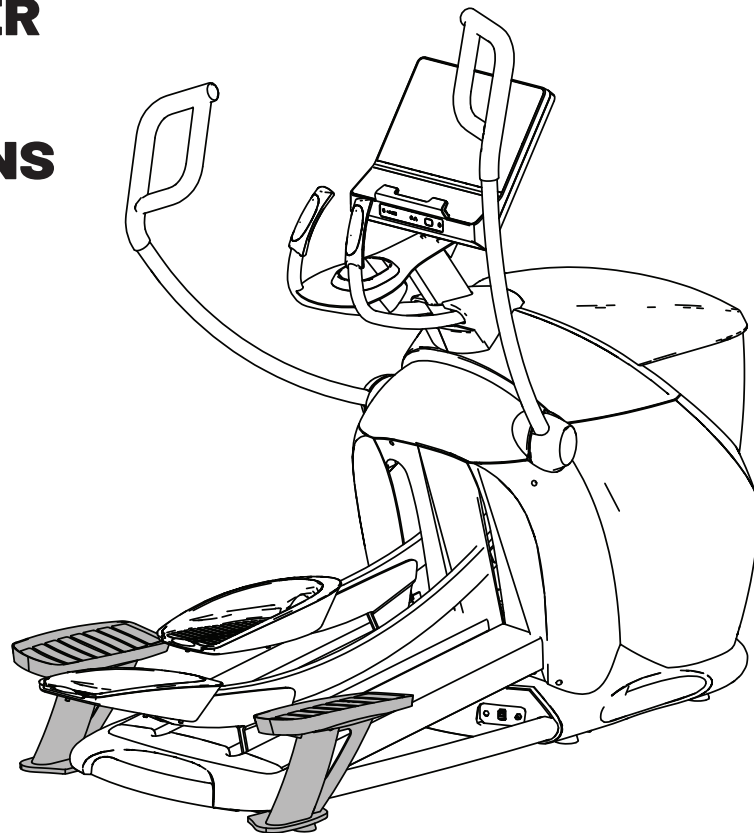




**GRAVITY CROSS TRAINER  
SIDE STEP ACCESSORY  
ASSEMBLY INSTRUCTIONS**



**IMPORTANT—READ CAREFULLY**

**FOR IMPORTANT SAFETY INFORMATION AND DOWNLOAD OF  
THE COMPLETE OWNER'S MANUAL AND ASSEMBLY GUIDE SEE  
TRUEFITNESS.COM OR SCAN THE QR CODE ABOVE FOR DIRECT ACCESS**

**IF YOU NEED IMMEDIATE ASSISTANCE PRE OR POST ASSEMBLY  
CONTACT OUR SUPPORT TEAM MONDAY-FRIDAY 8:30AM-5:00PM (CST)  
800.883.8783 | SERVICE@TRUEFITNESS.COM**

**MODEL 8100607  
MANUAL 8100618 REV01**

## ASSEMBLY INSTRUCTIONS






**NOTE:** Supplemental video available @TRUEFitnessservicevids:

[https://www.youtube.com/playlist?list=PLr3lqv32UrupfqchayplG13susf3wJ-k\\_](https://www.youtube.com/playlist?list=PLr3lqv32UrupfqchayplG13susf3wJ-k_)

## PREASSEMBLY CHECKLIST

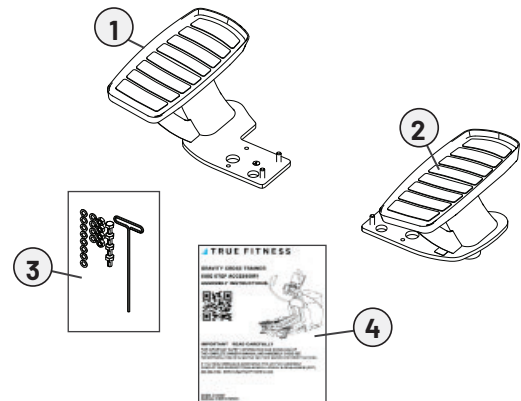
### VERIFY BOX CONTENTS

**IMPORTANT!** Please verify box contents. If you have questions, or if there are any missing parts, contact product support (service@truefitness.com | 800.883.8783).

| TOOLS NEEDED FOR ASSEMBLY                     |  | INCLUDED IN BOX |
|---|--|-----------------|
| 4mm Allen Wrench                              |   | YES             |
| Ratchet Wrench with 17mm Socket and Extension |   | NO              |
| 17mm Wrench                                   |  | NO              |

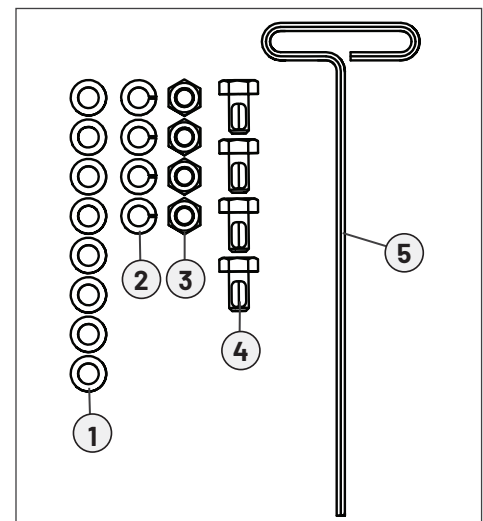
### BOX CONTENTS

| ITEM | DESCRIPTION           | QTY |
|------|-----------------------|-----|
| 1    | LEFT SIDE STEP BLACK  | 1   |
| 2    | RIGHT SIDE STEP BLACK | 1   |
| 3    | HARDWARE PACK         | 1   |
| 4    | INSTRUCTIONS          | 1   |



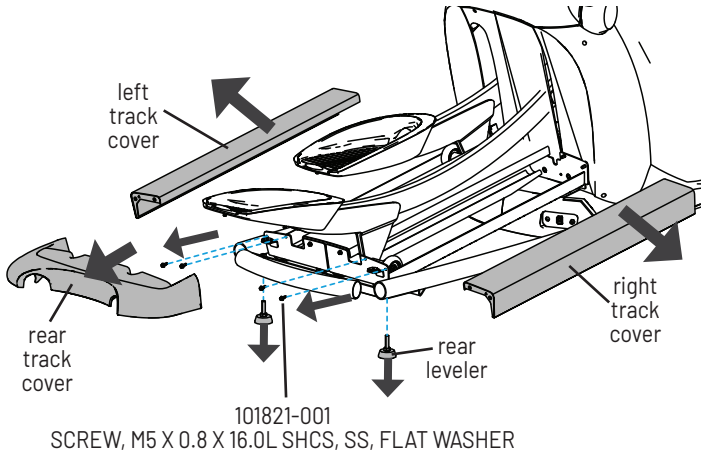
### HARDWARE PACK CONTENTS

| 105886-001 HARDWARE PACK |             |   |     |
|--------------------------|-------------|---|-----|
| ITEM                     | PART NUMBER | DESCRIPTION                             | QTY |
| 1                        | 104569-001  | WASHER, 10.5 X 18 X 1.5 CZ              | 8   |
| 2                        | 950052-009  | B18.21.2M, WASHER, LOCK, STL, M10       | 4   |
| 3                        | 950038-009  | B18.2.4.1M, HEX NUT, STYLE 1, M10 X 1.5 | 4   |
| 4                        | 100716-001  | BOLT, M10 X 1.5 X 20, HEX HEAD, GR 8.8  | 4   |
| 5                        | 102953-001  | WRENCH, HEX, M4, T-HANDLE               | 1   |

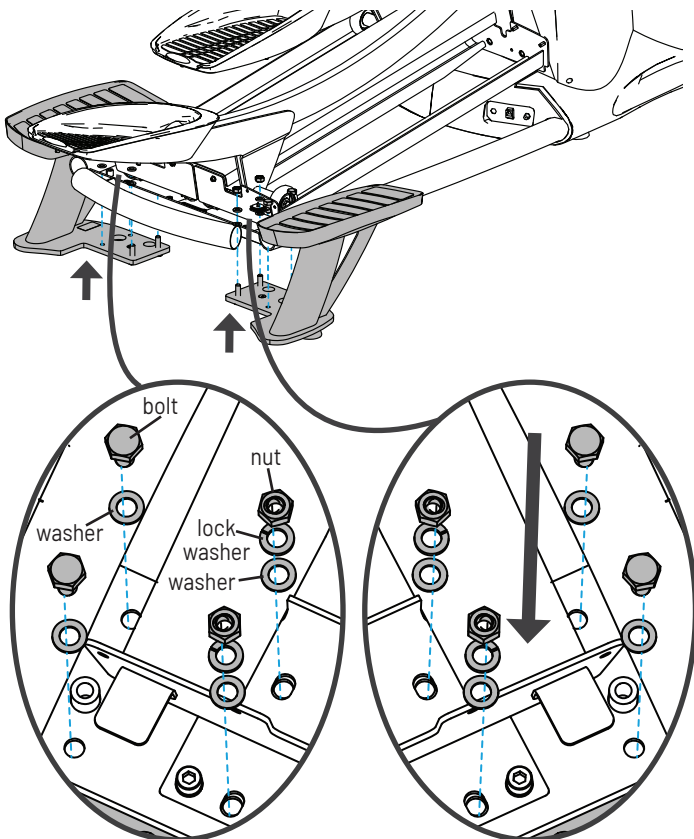


## ASSEMBLY STEPS

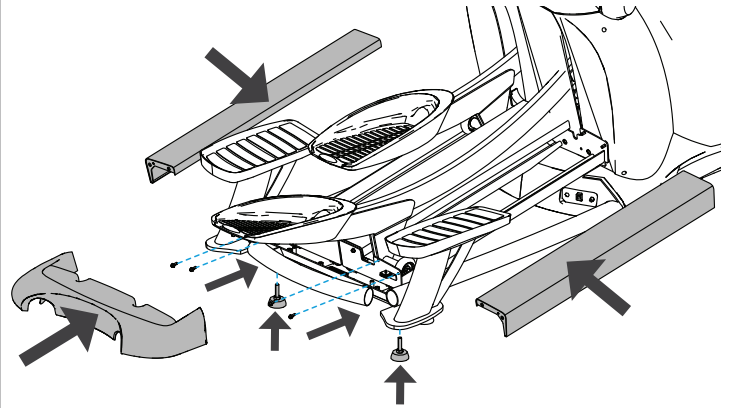
- A. Remove and set aside the rear track cover.
- B. On each side of the machine, using a 4mm allen wrench, remove and set aside the left and right track covers.
- C. On each side of the machine, using a 17mm wrench, remove and set aside the rear levelers.



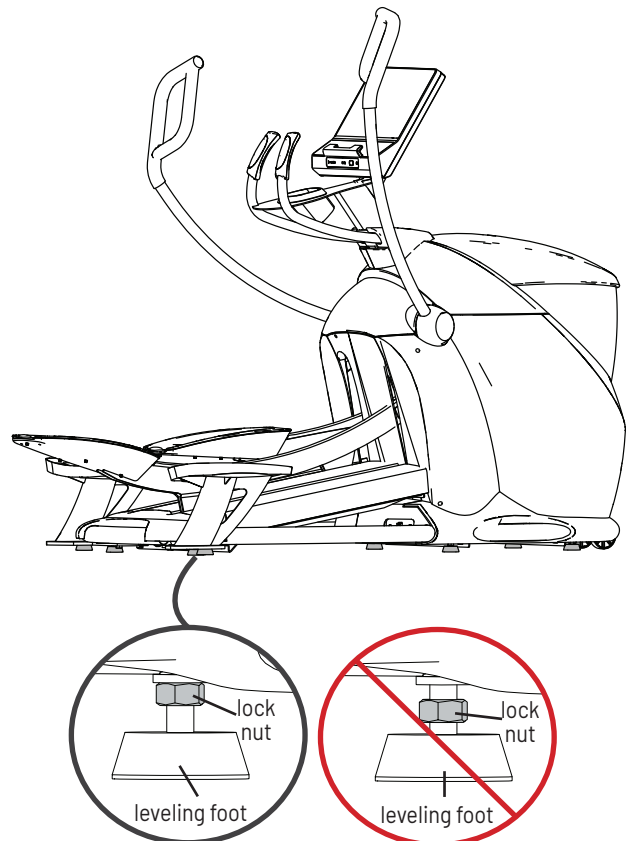
- D. On each side of the machine, using a 17mm socket wrench with extension, fasten each side step in place using two bolts, four washers, and two lock washers.



- E. On each side of the machine, reattach the rear levelers.
- F. On each side of the machine, using a 4mm allen wrench, reattach the left and right track covers.
- G. Reattach the rear plastic track cover.



- H. Using a 17mm wrench, verify the machine is level and the lock nuts are tight against the bottom of the frame.





CONTACT US

[service@truefitness.com](mailto:service@truefitness.com)

800.883.8783

865 Hoff Road

St. Louis, MO 63366

[TRUEFITNESS.COM](https://www.truefitness.com)



8100618 ASSEMBLY INSTRUCTIONS REV01

© 2024 TRUE Fitness All Rights Reserved.