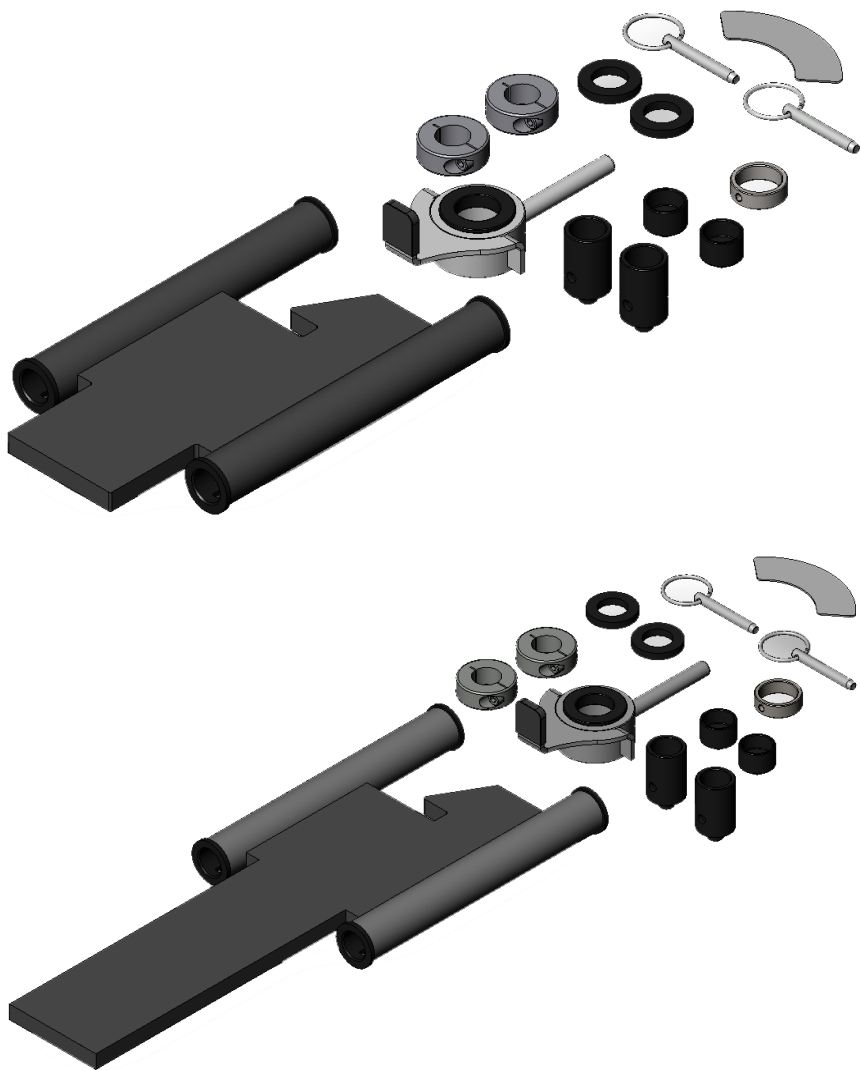


Fuse XL Adder Weight



5.0 LB. ADDER WEIGHT: (Kit # 00630100)

7.5 LB. ADDER WEIGHT: (Kit # 00630200)

GUIDE RODS, 51": (Part # 00630300)

GUIDE RODS, 59": (Part # 00630400)

Revision# 102819

Owner's Manual Part Number: AG-FUS-AW

OWNER'S MANUAL

IMPORTANT:

All products shown are prototype. Actual product delivered may vary.
Product specifications, features & software are subject to change without notice.
For the most up-to-date owner's manual please visit www.truefitness.com.
For documents in additional languages please visit www.truefitness.com/resources/document-library/

IMPORTANTE:

Todos los productos mostrados son prototipos. La realidad el producto suministrado puede diferir.
Especificaciones de productos, características y software están sujetas a cambios sin previo aviso.
Para la más actualizada de este manual del propietario, por favor visite www.truefitness.com
Para los documentos en otros idiomas, por favor visite www.truefitness.com/resources/document-library/

IMPORTANT: Tous les produits présentés sont prototype. Le produit réel livré peut varier. Spécifications du produit, caractéristiques et logiciels sont sujettes à modification sans préavis. Pour la plus à jour le manuel du propriétaire s'il vous plaît visitez www.truefitness.com. Pour documents dans des langues supplémentaires, veuillez www.truefitness.com/resources/document-library/ de visite

重要提示: 显示所有产品的原型。实际交付的产品可能有所不同产品规格,功能和软件如有更改,恕不另行通知迄今为止对于大多数的使用说明书,请访问www.truefitness.com 对于其他语言的文档,请访问www.truefitness.com/resources/document-library/

ماہ:
اھم ی لس ت یل عفل ا جت نمل ا فل ت خ ت دق . ج ذوم نل ا یھ ؤ ضر عم ل ا ت ا ج ت نمل ا ع ی م ج
راعش ا نود ری ی غ تل ل ؤ ل باق ج مار بل او ت ازی مل او ، ج ت نمل ا ت اف ص او م
www.truefitness.com ؤ رای ز ی جری ک ل امل ا ل ی ل د ن ا ل ا ی ت ح ل ص ی ام مظ عم ل
www.truefitness.com/resources/document-library/ ؤ رای ز ی جری ، ؤ ی فاض ا ت اغ ل ی ف ت ادن ت س مل ل

WICHTIG: Alle hier gezeigten Produkte sind Prototypen. Das tatsächliche Produkt ausgeliefert wird, kann variieren. Produkt-Spezifikationen, Funktionen und Software können sich ohne vorherige Ankündigung ändern. In den meisten Fällen bis zu Bedienungsanleitung Bisher besuchen Sie bitte www.truefitness.com. Für Dokumente in weiteren Sprachen finden Sie unter www.truefitness.com/resources/document-library/

BELANGRIJK: Alle getoonde producten zijn prototype. Daadwerkelijke product geleverd kan verschillen. Product specificaties, eigenschappen & software zijn onderhevig aan verandering zonder kennisgeving. Voor de meest actuele handleiding van de eigenaar kunt u terecht www.truefitness.com. Voor documenten in andere talen kunt u terecht op www.truefitness.com/resources/document-library/

ВАЖНО: Все товары указаны прототипа. Фактический продукт, поставляемый могут отличаться. Технические характеристики, особенности и программного обеспечения могут быть изменены без предварительного уведомления. Для получения самой последней на сегодняшний день руководство по эксплуатации пожалуйста, посетите www.truefitness.com
.Для документов на другие языки, пожалуйста, посетите www.truefitness.com/resources/document-library/

A MESSAGE TO OUR CUSTOMERS

Frank Trulaske began TRUE Fitness® over thirty-five year ago with the simple philosophy of delivering superior fitness products, service, and support. Today, TRUE is the global leader in premium fitness equipment for the commercial and residential markets. Our goal is to be the leader in technology, innovation, performance, safety and style. TRUE has received many awards for its product over the years and remains the benchmark for the industry. Fitness facilities and consumers invest in TRUE products for their durable commercial platforms used in all its products, both commercial and residential alike.

The proud manufacturing tradition of quality and the culture of innovation at TRUE have given rise to a full line of extraordinary cardio and strength equipment. As a result, people all over the world are benefiting from the TRUE experience. Innovation across the full product line has made TRUE successful and is a trademark of the TRUE heritage. TRUE's patented Heart Rate Control technology is just one of the remarkable ways we deliver simple and superior performance every user can enjoy, and most importantly, use to achieve personal health and fitness goals.

At the heart of our success is the relentless and systematic life testing of both our products and their components. We have dedicated employees who understand our philosophy is to deliver the best products in the world.

Our goal is to deliver the world's best premium equipment for our customers' health and fitness solutions.

Table of Contents

CHAPTER 1: SAFETY INSTRUCTIONS	5
• MACHINE SPECIFICATIONS:	5
• REQUIRED TOOLS:.....	6
CHAPTER 2: ASSEMBLY GUIDE	7
• PRE-ASSEMBLY CHECKLIST:.....	7
• ASSEMBLY STEPS:	10

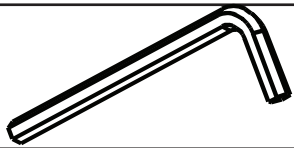
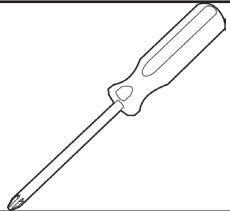
CHAPTER 1: SAFETY INSTRUCTIONS

MACHINE SPECIFICATIONS:

MACHINE	WEIGHT STACK (LB.)	5.0 LB. ADDER WEIGHT (Kit # 00630100)	7.5 LB. ADDER WEIGHT (Kit # 00630200)	GUIDE RODS, 51" (Part # 00630300)	GUIDE RODS, 59" (Part # 00630400)
FUSE XL-0100	170	X		X	
	250		X	X	
FUSE XL-0200	170	X		X	
	250		X	X	
FUSE XL-0300	210	X			X
	310		X		X
FUSE XL-0400	170	X		X	
	250		X	X	
FUSE XL-0600	170	X		X	
	250		X	X	
FUSE XL-0700	170	X		X	
	250		X	X	
FUSE XL-0800	170	X		X	
	250		X	X	
FUSE XL-0900	170	X		X	
	250		X	X	
FUSE XL-1000	170	X			X
	250		X		X
FUSE XL-1100	170	X		X	
	250		X	X	
FUSE XL-1200	170	X		X	
	250		X	X	
FUSE XL-1300	170	X		X	
	250		X	X	
FUSE XL-1400	170	X		X	
	250		X	X	
FUSE XL-1500	170	X		X	
	250		X	X	
FUSE XL-1700	170	X		X	
	250		X	X	
FUSE XL-1800	170	X		X	
	250		X	X	

CHAPTER 1: SAFETY INSTRUCTIONS

REQUIRED TOOLS:

	Allen wrench (supplied): <ul style="list-style-type: none">• 2.5 mm• 4 mm
	Phillips Head Screw Driver

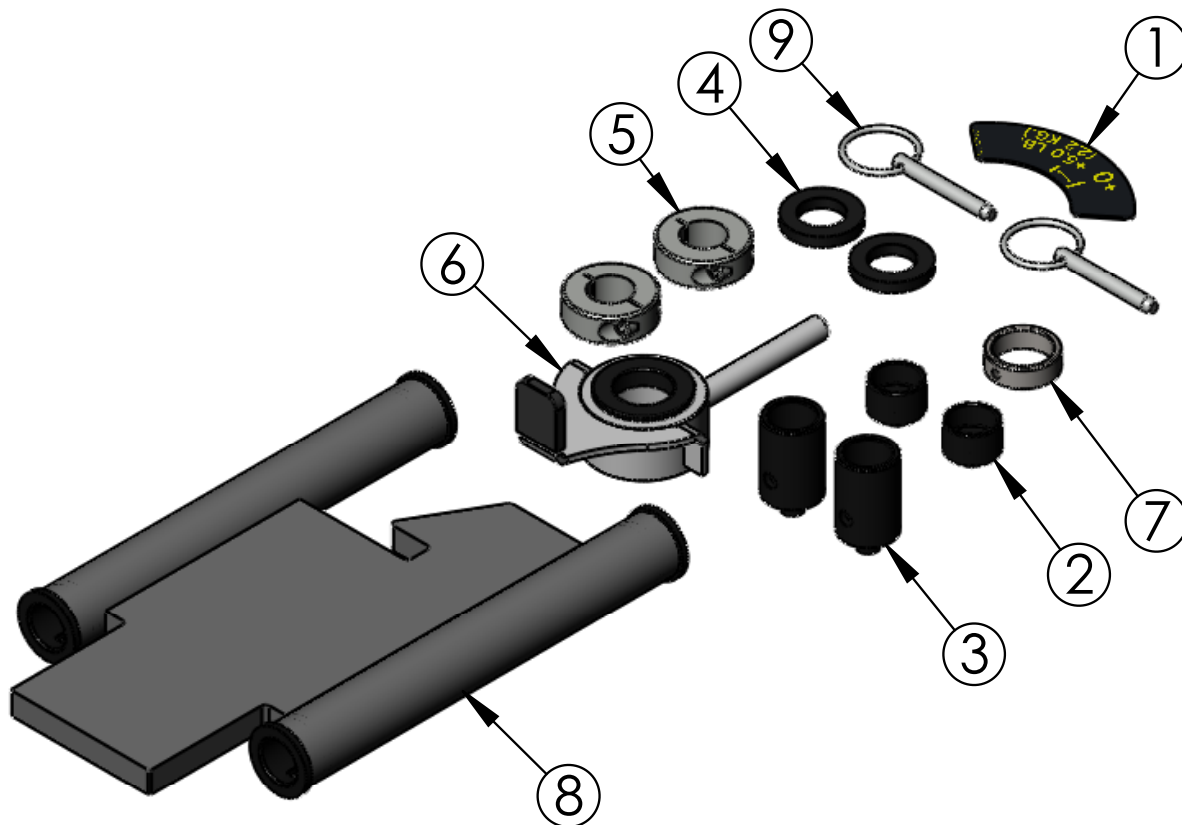
CHAPTER 2: ASSEMBLY GUIDE

PRE-ASSEMBLY CHECKLIST:

Carton One Contents (5.0 lb Adder Weight: Kit # 00630100)

Note: For use with 170 and 210 lb. weight stacks.

Item	Part Number	Description	Quantity
1	LBL-ADR-0001	LABEL, ADDER WEIGHT, 5.0 LB	1
2	XL2-00AW001	RETAINER CAP, ADDER WT GUIDE ROD, LOWER	2
3	XL2-00AW002	RETAINER CAP, ADDER WT GUIDE ROD, UPPER	2
4	XL2-00AW005	WASHER, RUBBER, 5 MM THICK	2
5	XL2-00AW006	COLLAR, 19 MM ID	2
6	XL2-00AW400X	ADDER WEIGHT SELECTOR ASSY	1
7	XL2-00AW406	ADDER WEIGHT SELECTOR COLLAR W/ SCREWS	1
8	XL2-00AW500X	ADDER WEIGHT, 5 LB.	1
9	XL2-00PN100	PULL PIN, GUIDE ROD RETAINER	2



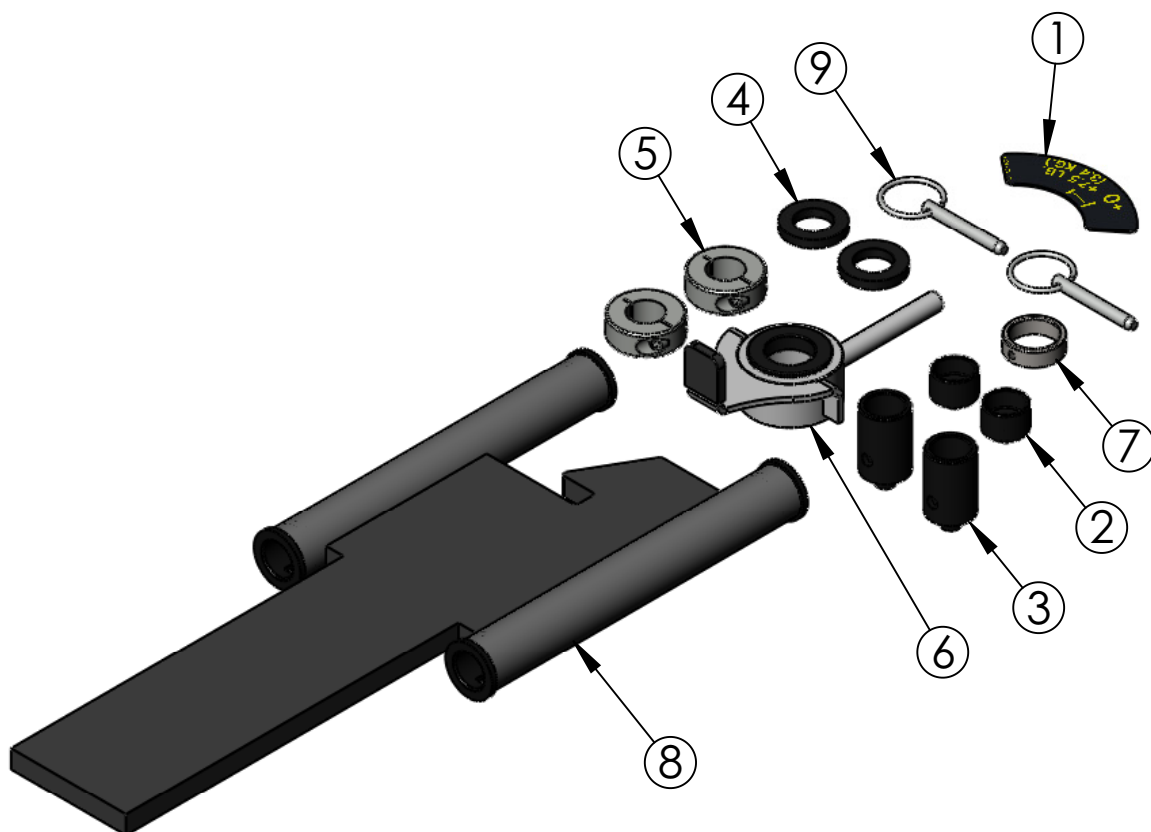
CHAPTER 2: ASSEMBLY GUIDE

PRE-ASSEMBLY CHECKLIST:

Carton One Contents (7.5 lb Adder Weight: Kit #00630200)

Note: For use with 250 and 310 lb. weight stacks.

Item	Part Number	Description	Quantity
1	LBL-ADR-0002	LABEL, ADDER WEIGHT, 7.5 LB	1
2	XL2-00AW001	RETAINER CAP, ADDER WT GUIDE ROD, LOWER	2
3	XL2-00AW002	RETAINER CAP, ADDER WT GUIDE ROD, UPPER	2
4	XL2-00AW005	WASHER, RUBBER, 5 MM THICK	2
5	XL2-00AW006	COLLAR, 19 MM ID	2
6	XL2-00AW400X	ADDER WEIGHT SELECTOR ASSY	1
7	XL2-00AW406	ADDER WEIGHT SELECTOR COLLAR W/ SCREWS	1
8	XL2-00AW500X	ADDER WEIGHT, 5 LB.	1
9	XL2-00PN100	PULL PIN, GUIDE ROD RETAINER	2

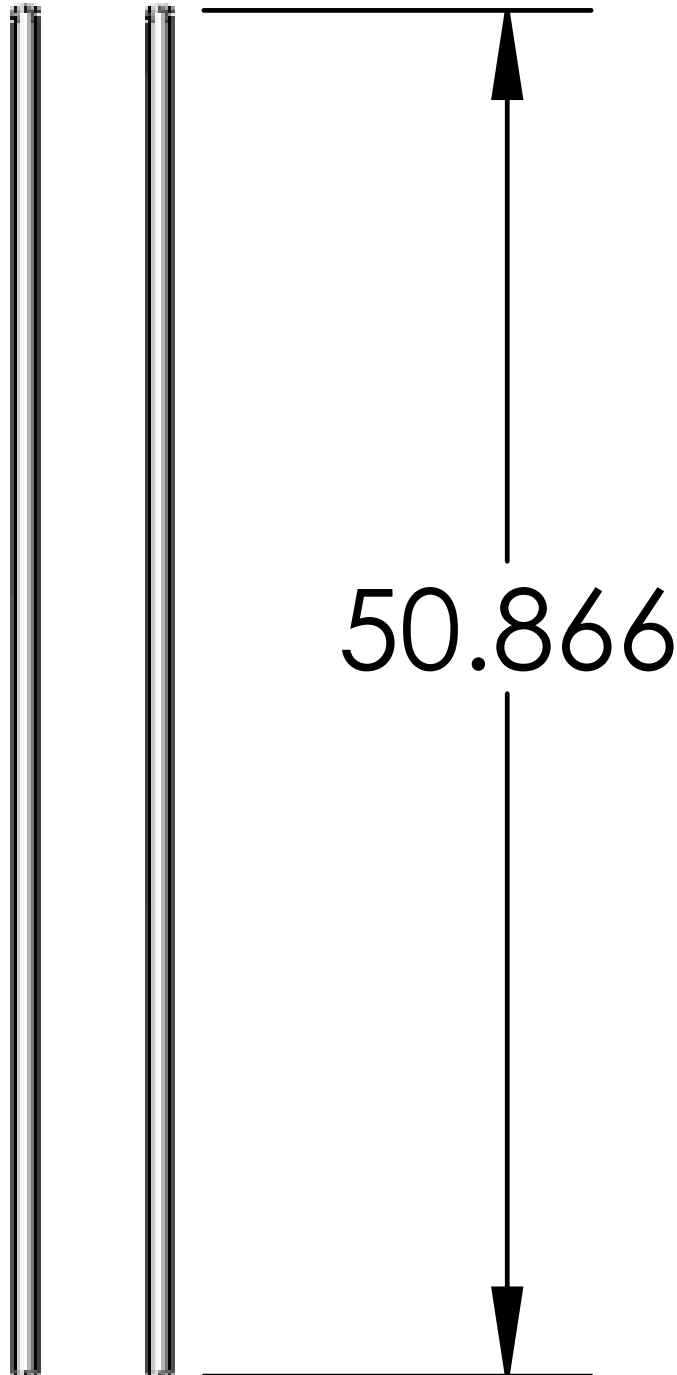


CHAPTER 2: ASSEMBLY GUIDE

PRE-ASSEMBLY CHECKLIST:

Carton Two Contents (Adder Weight Guide Rods: Part # 00630300)

Item	Part Number	Description	Quantity
1	TRXL2-00AW101	GUIDE RODS, 51"	2

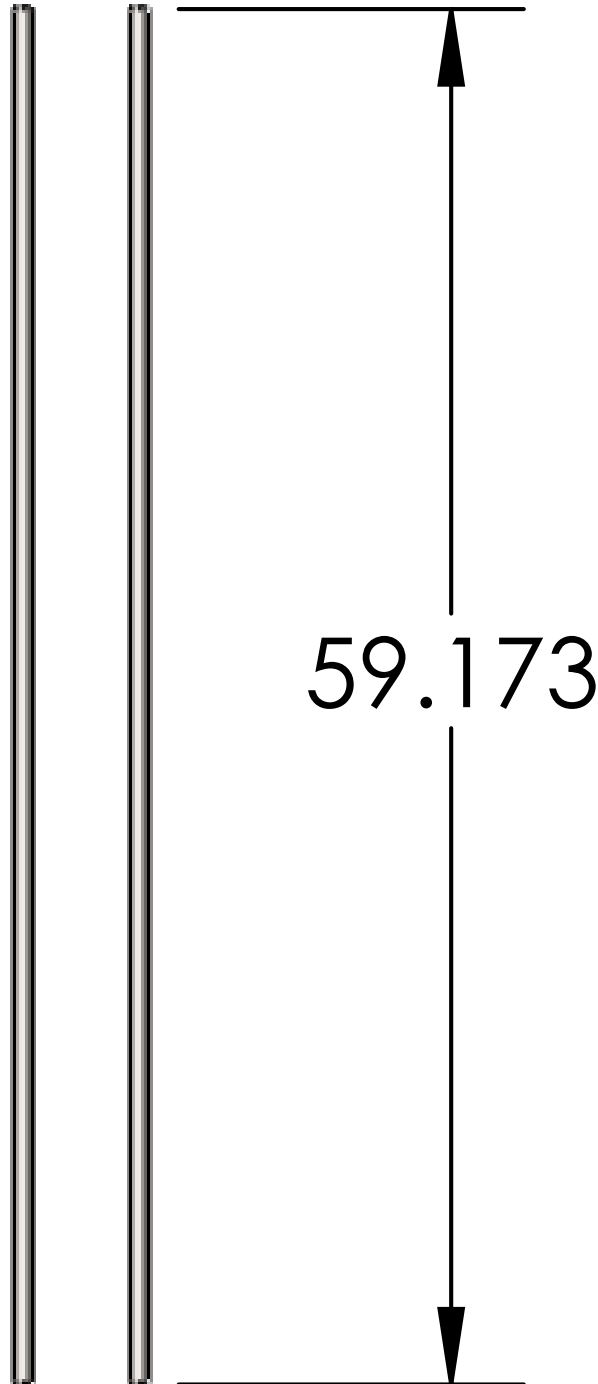


CHAPTER 2: ASSEMBLY GUIDE

PRE-ASSEMBLY CHECKLIST:

Carton Two Contents (Adder Weight Guide Rods: Part # 00630400)

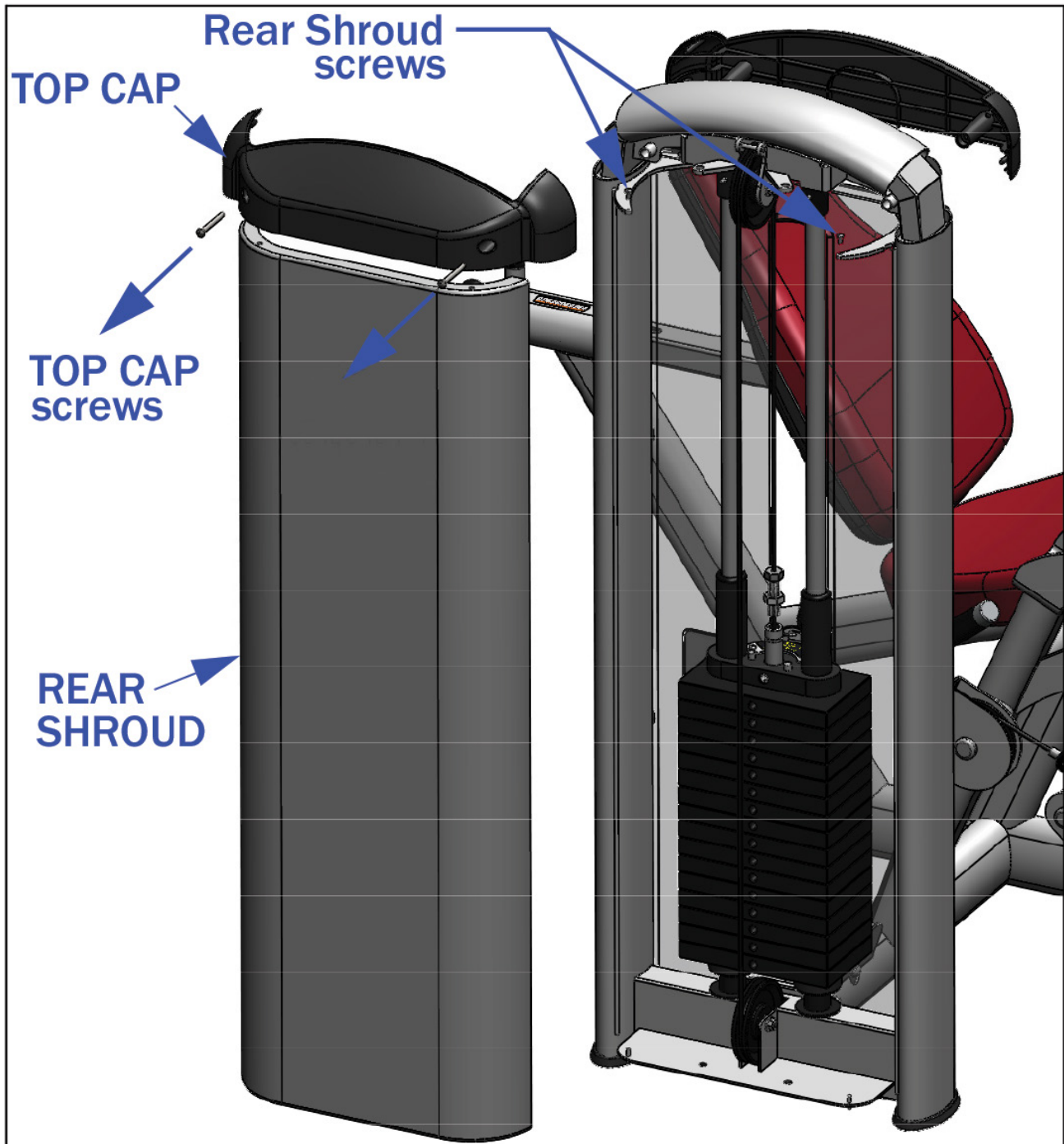
Item	Part Number	Description	Quantity
1	TRXL2-00AW201	GUIDE RODS, 59"	2



CHAPTER 2: ASSEMBLY GUIDE**ASSEMBLY STEPS:****Step 1 (Top Cap and Rear Shroud):**

Remove the front and rear top cap from the upright assembly.

Next, remove the rear shroud from the upright assembly.



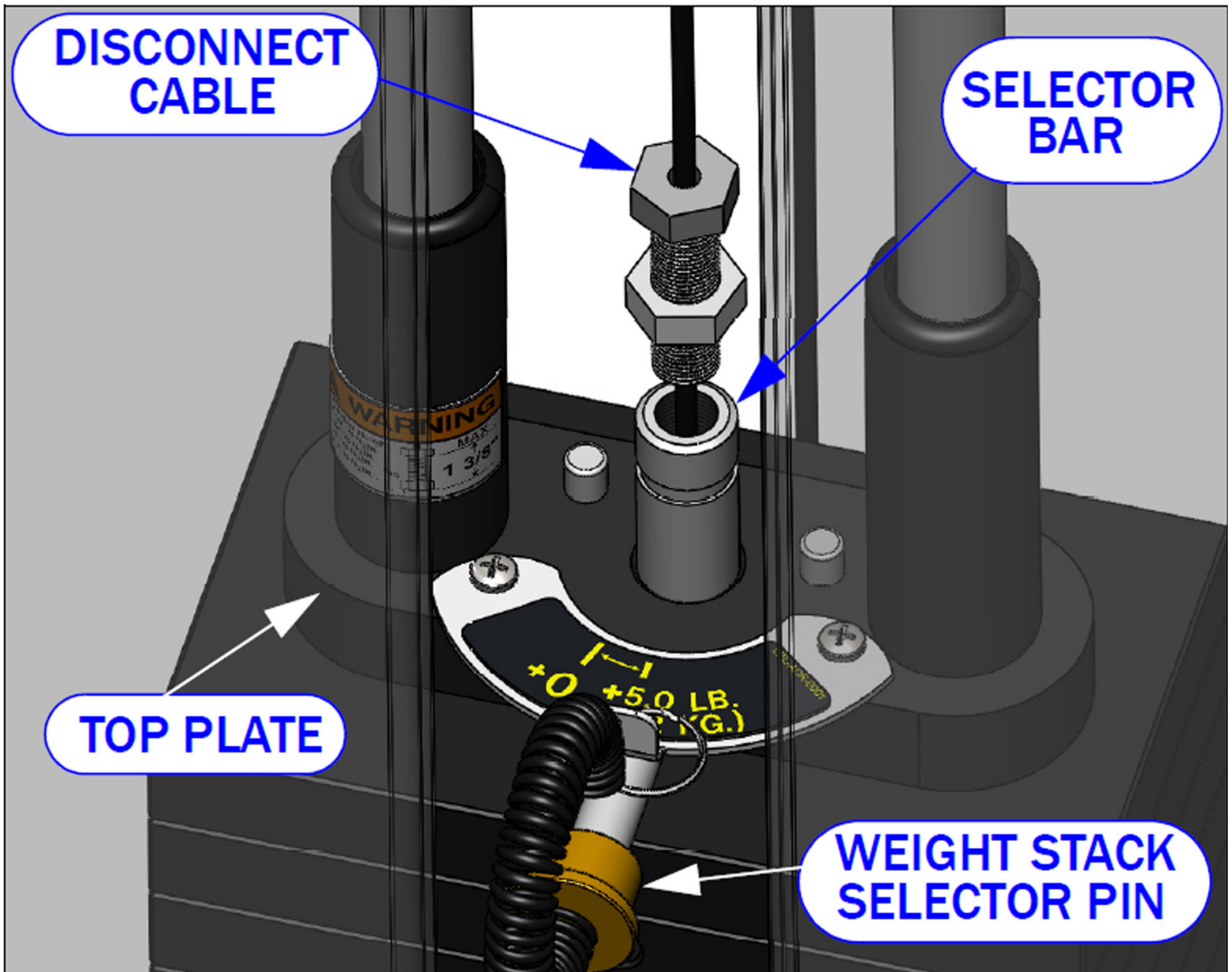
CHAPTER 2: ASSEMBLY GUIDE

ASSEMBLY STEPS:

Step 2 (Disconnect Cable):

Disconnect the cable from the top plate selector bar.

Note: On the FUSE XL-1000, remove the pulley housing that is secured to the top plate selector bar first.

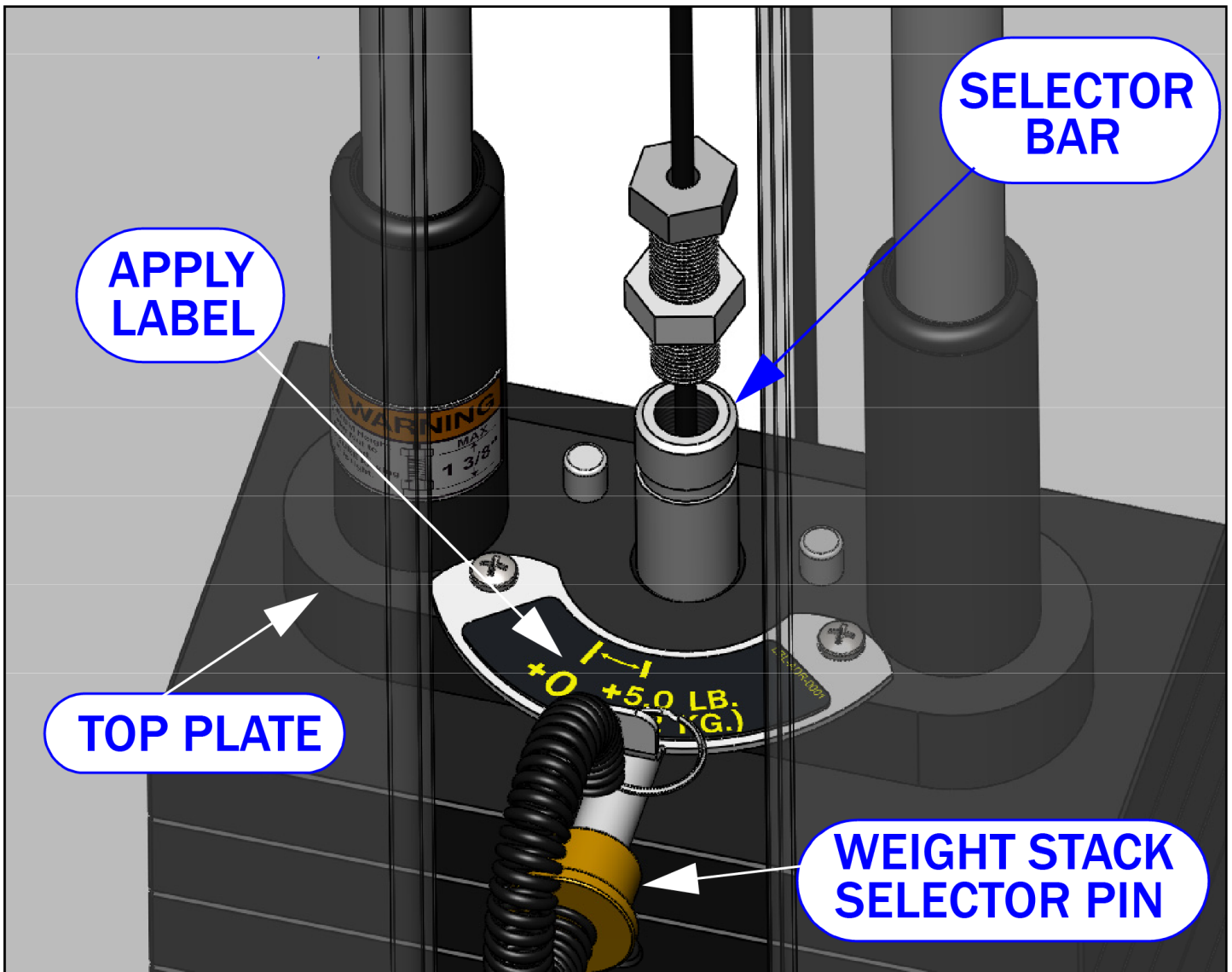


CHAPTER 2: ASSEMBLY GUIDE

ASSEMBLY STEPS:

Step 3 (Adder Weight Label):

Apply the adder weight label to the weight stack selector pin mounting plate located on the top plate selector bar.



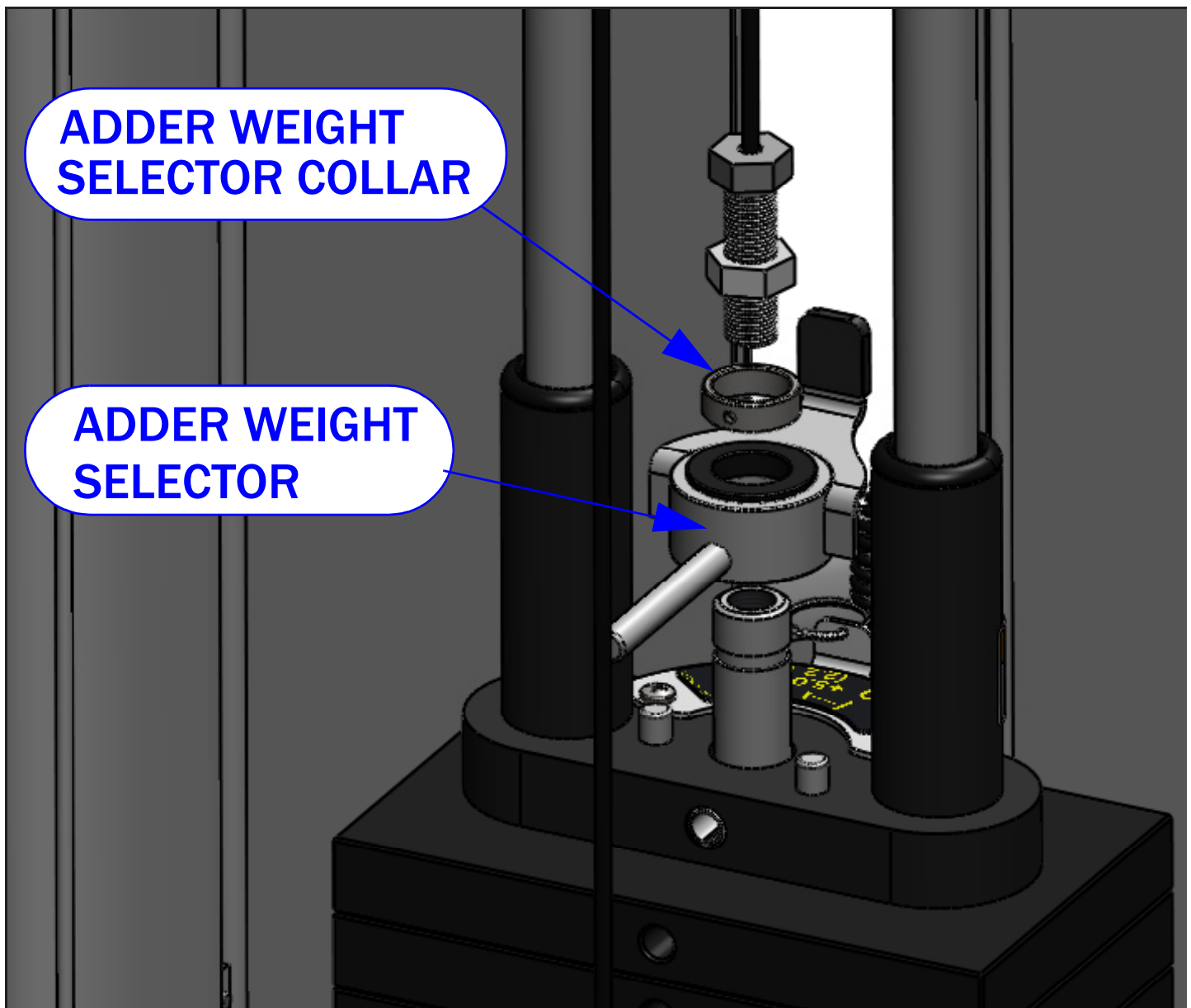
CHAPTER 2: ASSEMBLY GUIDE

ASSEMBLY STEPS:

Step 4 (Adder Weight Selector Assembly):

Secure the adder weight selector assembly and the adder weight selector collar to the top plate selector bar using the identified hardware.

Note: Confirm the adder weight selector assembly rotates freely between the magnetic stops of +0 and +5.0 lb., or +7.5 lb depending on your adder weight selection.



CHAPTER 2: ASSEMBLY GUIDE

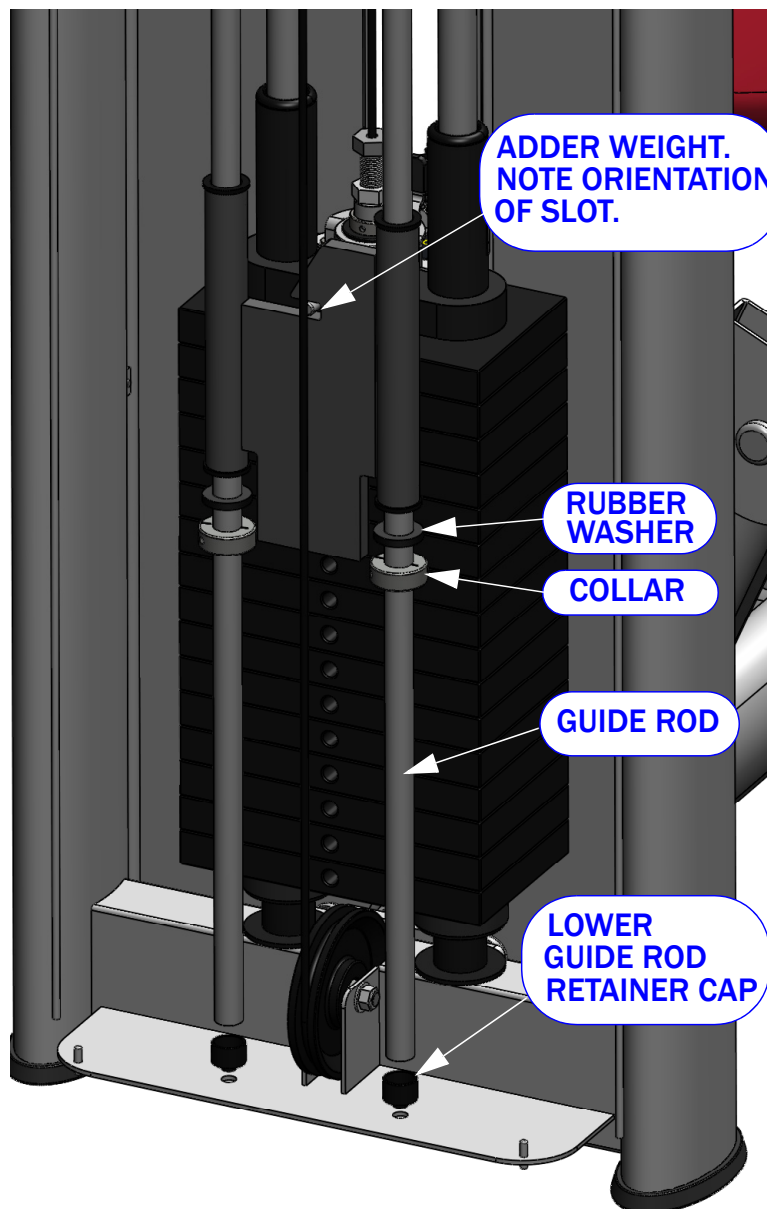
ASSEMBLY STEPS:

Step 5 (Adder Weight Assembly):

Place the collars, rubber washers, and adder weight on the guide rods in the order shown below. Engage the adder weight using the adder weight selector.

Raise the collars and rubber washers until they secure the adder weight in place on the guide rods. Tighten the set screw on the collars to lock in the position.

Note: Orient the adder weight to allow the adder weight selector to engage the adder weight according to the adder weight selector label.



CHAPTER 2: ASSEMBLY GUIDE

ASSEMBLY STEPS:

Step 6 (Guide Rod Retainer Caps):

Insert the guide rods into the upper and lower retainer caps with the push pin holes aligned. Next, insert the guide rods into the designated holes on the upright assembly. Secure each upper guide rod retainer cap with a pull pin.

Note: Route the cable on the rear surface of the adder weight.

Note: For the Fuse XL-1000, secure the top plate selector bar pulley assembly first before securing the guide rods to the upright assembly.

Note: The holes in the brackets on the upright assembly for the retainer cap stud may be undersized due to excessive paint. If necessary, file away excess paint until the retainer cap stud securely fits in the designated bracket hole on the upright assembly.

