

 **TRUE**<sup>®</sup>

\*Assembly Guide & Warranty Card Included

# FORCE

## MULTI-PRESS



# OWNER'S MANUAL

Model # SD1005

Revision 071621

# FORCE STRENGTH OWNERS MANUAL

## IMPORTANT:

All Products shown are prototype. Actual product delivered may vary.  
Product specifications, features & software are subject to change without notice.  
For the most up to date owner's manual please visit [www.truefitness.com](http://www.truefitness.com).  
For documents in additional languages please visit [www.truefitness.com/resources/document-library/](http://www.truefitness.com/resources/document-library/)

## IMPORTANTE:

Todos los productos mostrados son prototipos. La realidad el producto suministrado puede diferir.  
Especificaciones de productos, características y software están sujetas a cambios sin previo aviso.  
Para la más actualizada de este manual del propietario, por favor visite [www.truefitness.com](http://www.truefitness.com)  
Para los documentos en otros idiomas, por favor visite [www.truefitness.com/resources/document-library/](http://www.truefitness.com/resources/document-library/)

## IMPORTANT:

Tous les produits présentés sont prototype. Le produit réel livré peut varier.  
Spécifications du produit, caractéristiques et logiciels sont sujettes à modification sans préavis.  
Pour la plus à jour le manuel du propriétaire s'il vous plaît visitez [www.truefitness.com](http://www.truefitness.com).  
Pour documents dans des langues supplémentaires, veuillez [www.truefitness.com/resources/document-library/](http://www.truefitness.com/resources/document-library/) de visite

## 重要提示 :

显示所有产品的原型。实际交付的产品可能有所不同  
产品规格，功能和软件如有更改，恕不另行通知  
迄今为止对于大多数的使用说明书，请访问[www.truefitness.com](http://www.truefitness.com)  
对于其他语言的文档，请访问[www.truefitness.com/resources/document-library/](http://www.truefitness.com/resources/document-library/)

## هام:

جميع المنتجات المعروضة هي النموذج. قد تختلف المنتج الفعلي تسليمها.  
مواصفات المنتج، والميزات والبرامج قابلة للتغيير دون إشعار.  
[www.truefitness.com](http://www.truefitness.com) لمعظم ما يصل حتى الآن دليل المالك يرجى زيارة  
[www.truefitness.com/resources/document-library/](http://www.truefitness.com/resources/document-library/) للمستندات في لغات إضافية، يرجى زيارة

## WICHTIG:

Alle hier gezeigten Produkte sind Prototypen. Das tatsächliche Produkt ausgeliefert wird, kann variieren.  
Produkt-Spezifikationen, Funktionen und Software können sich ohne vorherige Ankündigung ändern.  
In den meisten Fällen bis zu Bedienungsanleitung Bisher besuchen Sie bitte [www.truefitness.com](http://www.truefitness.com).  
Für Dokumente in weiteren Sprachen finden Sie unter [www.truefitness.com/resources/document-library/](http://www.truefitness.com/resources/document-library/)

## BELANGRIJK:

Alle getoonde producten zijn prototype. Daadwerkelijke product geleverd kan verschillen.  
Product specificaties, eigenschappen & software zijn onderhevig aan verandering zonder kennisgeving.  
Voor de meest actuele handleiding van de eigenaar kunt u terecht [www.truefitness.com](http://www.truefitness.com).  
Voor documenten in andere talen kunt u terecht op [www.truefitness.com/resources/document-library/](http://www.truefitness.com/resources/document-library/)

## ВАЖНО:

Все товары указаны прототипа. Фактический продукт, поставляемый могут отличаться.  
Технические характеристики, особенности и программного обеспечения могут быть изменены без предварительного уведомления.  
Для получения самой последней на сегодняшний день руководство по эксплуатации пожалуйста, посетите [www.truefitness.com](http://www.truefitness.com).  
Для документов на другие языки, пожалуйста, посетите [www.truefitness.com/resources/document-library/](http://www.truefitness.com/resources/document-library/)

# FORCE STRENGTH OWNERS MANUAL

Frank Trulaske, founder and CEO of TRUE, has had the same simple philosophy of delivering superior products, service and support for over 30 years. Today, TRUE is the global leader in premium cardio equipment for the commercial and residential markets. Our goal is to be the leader in technology, innovation, performance, safety and style. TRUE has received many awards for its commercial and retail product over the years and remains the benchmark for the industry. Fitness facilities and consumers invest in TRUE products for their durable commercial platforms used in all its cardio products, both commercial and residential alike.

The proud manufacturing tradition of quality and the culture of innovation at TRUE have given rise to a full line of truly extraordinary treadmills, indoor cycles and elliptical cross-trainers. As a result, people all over the world are benefiting from the TRUE experience. Innovation across the full product line has made TRUE successful and is a trademark of the TRUE heritage. TRUE's patented Heart Rate Control® technology is just one of the remarkable ways we deliver simple and superior performance every user can enjoy, and most importantly, use to achieve personal health and fitness goals.

TRUE strives to perfect biomechanically correct and orthopedically comfortable, functional products. Whether it be the mesh seat in the recumbent bike, the Soft Step® in the elliptical cross-trainers or the Soft System® in our treadmills, we deliver the best.

At the heart of our success is the relentless and systematic life testing of both our products and their components. We have dedicated employees who understand our philosophy is to deliver the best products in the world.

Our goal is not to sell the most cardio products in the world, but to deliver the world's best premium equipment for our customers' health and fitness solutions.

To own a TRUE machine is to be part of an exclusive fitness community that delivers results – your results.

Thank you for becoming a part of the TRUE experience.

**TRANSCEND ALL OTHERS!**

# FORCE STRENGTH OWNERS MANUAL

## TABLE OF CONTENTS:

### Chapter 1: Safety Instructions

Safety Instructions.....	1
Space Requirements.....	3
Working Dimensions.....	3
Warning Decals.....	4
Proper Training Position.....	5

### Chapter 2: Assembly Instructions

Pre-Assembly Check List.....	7
Assembly Steps .....	10

### Chapter 3: Product Overview

Product Overview.....	23
-----------------------	----

### Chapter 4: Care & Maintenance

Care & Maintenance.....	24
Daily Inspection & Maintenance.....	24
Weekly Inspection & Maintenance.....	24
Other Scheduled Preventive Maintenance.....	25
Cleaning the Equipment.....	25
Cable Inspection & Maintenance.....	26

### Chapter 5: Customer Service

Contacting Service.....	28
Contacting Sales.....	28
Reporting Freight Claims or Parts Damage.....	29




### Chapter 6: Additional Information

Warranty Registration.....	30
----------------------------	----











# CHAPTER 1: SAFETY INSTRUCTIONS

## IMPORTANT SAFETY INSTRUCTIONS SAVE THESE SAFETY INSTRUCTIONS

Force series strength equipment is intended for a commercial or institutional setting. This owner's manual should be accessible to all personal trainers, staff members, and members.

-  WARNING: All EXERCISERS MUST READ ALL INSTRUCTIONS BEFORE USING STRENGTH EQUIPMENT.
-  WARNING: Over-exercising may result in serious injury or death. If you feel faint, stop exercising immediately.
-  WARNING: Equipment should be immediately taken out of use if it fails to work properly or when a warning is presented electronically.

TRUE STRONGLY recommends seeing a physician for a complete medical exam before undertaking an exercise program, particularly if the user has a family history of high blood pressure or heart disease, is over the age of 45, smokes, has high cholesterol, is obese or has not exercised regularly in the past year. Additionally, TRUE recommends consulting a fitness professional on the correct use of this product. If at any time while exercising the user experiences faintness, dizziness, pain or shortness of breath, he or she must stop immediately.

-  WARNING: To reduce the risk of injury, facility personnel should inspect the equipment daily for potential issue, such as loose hardware, worn or frayed cables, cracked pulleys or welds.
-  WARNING: To reduce the risk of injury, facility personnel should provide direct supervision of the use of strength equipment and provide knowledge about the safe operation of the equipment to users if they recognize potential issues.
-  WARNING: Do not move the equipment by lifting the moving arms, plates or adjustment handles/knobs.
-  WARNING: This product contains chemicals known to the state of California to cause cancer and birth defects or other reproductive harm.  
\*for additional information visit <http://oehha.ca.gov/prop65>
-  WARNING: Keep equipment stable on flat ground. True Fitness recommends for all strength equipment to be bolted down to the floor to avoid toppling during improper use.
-  WARNING: Replace warning labels that may be worn, damaged or missing.
-  WARNING: Replace any non-working or damaged components; remove the unit from service until repair is performed.
-  WARNING: To reduce the risk of injury to persons, follow these instructions:
  - Do not attempt to free any jammed equipment without appropriate assistance.
  - Do not use strength equipment if the top plate or weight stack is pined in a raised position.
  - Do not use strength equipment if the weight stack selector pin is bent or damaged.
  - Do not place the equipment in a wet location or outdoors.
  - Do not use equipment if dropped or otherwise damaged.
  - Do not attempt to lift more weight than you can control safely.
-  Do not operate the equipment while being covered with a blanket, plastic, or anything that restricts operation.
-  WARNING: Risk of personal injury-crushing hazard when strength equipment is in operation - Keep feet, hands, and fingers away from moving parts.

# CHAPTER 1: SAFETY INSTRUCTIONS

## CAUTION:

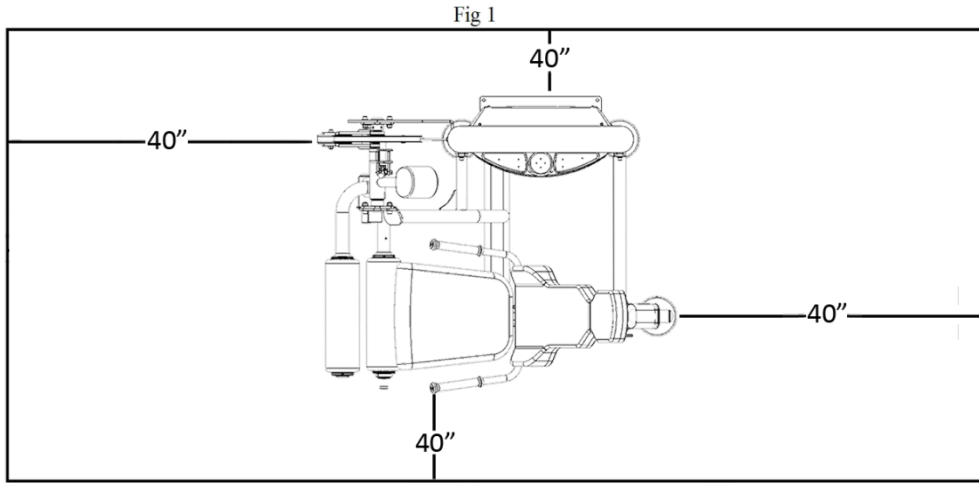
- Health related injuries may result from incorrect or excessive use of exercise equipment.
- Take care when getting on or off and strength equipment.
- If you do not understand how to use/operate a piece of equipment seek assistance from facility staff or trainer to demonstrate safe and proper use.
- Any changes or modifications to this equipment could void the product warranty.
- Do not use this product in areas where aerosol spray products are being used or where oxygen is being administered. Such substances create the danger of combustion and explosion.
- Always all posted safety instructions and warnings for proper operation. Close supervision is necessary when used near children under the age of 15, or disabled persons.
- Do not use this product outdoors, near water, while wet, or in areas of high humidity including extreme temperature changes.
- Never insert objects into any openings in this product. If an object should drop inside, carefully retrieve it. If the item cannot be reached, contact TRUE Customer Service.
- Never place liquids of any type directly on the unit except in the accessory tray or bottle holders. Containers with lids are recommended.
- Wear shoes with rubber or high traction soles. Do not use shoes with heels, leather soles, cleats or spikes. Make sure no stones are embedded in the soles. Do not use this product in bare feet. Keep all loose clothing, shoelaces and towels away from moving parts.
- Do not reach into or underneath the unit, or tip it on its side during operation.
- Use correct ergonomic positioning while operating strength equipment.
- Do not allow animals on or near the equipment while in operation.
- Do not exceed maximum user weight of 300 lbs. (136 kg).
- Avoid exiting strength equipment if any part is still in motion.
- Do not use if you have a cold or fever.
- When using this exercise machine, basic precautions should always be followed.
- Use this equipment only for its intended use as described in this manual.
- Do not use attachments not recommended by the manufacturer.
- Allow only trained personnel to service this equipment.
- Avoid the possibility of bystanders being struck or caught between moving parts by making sure that they are out of reach while equipment is in motion.
- Allow only one person at a time on the equipment while it's in operation.
- It is the sole responsibility of the owner/operator to ensure regular and scheduled maintenance is performed.
- This appliance can be used by children aged from 8 years and above and persons with reduced physical, sensory or mental capabilities or lack of experience and knowledge if they have been given supervision or instruction concerning use of the appliance in a safe way and understand the hazards involved.
- Children shall not play with the appliance.
- Cleaning and user maintenance shall not be made by children without supervision.
- Always check the equipment before using it. If you spot a potential problem, contact the facility staff immediately
- Do not drop or slam the weight stack while exercising.
- Do not use equipment or attempt to fix if broken or jammed.
- Do not use the equipment for support during stretching.
- Do not use any other means other than the one provided to incrementally increase the weight resistance.
- Always check that the weight selector pin is fully inserted into the weight stack before using.

# CHAPTER 1: SAFETY INSTRUCTIONS

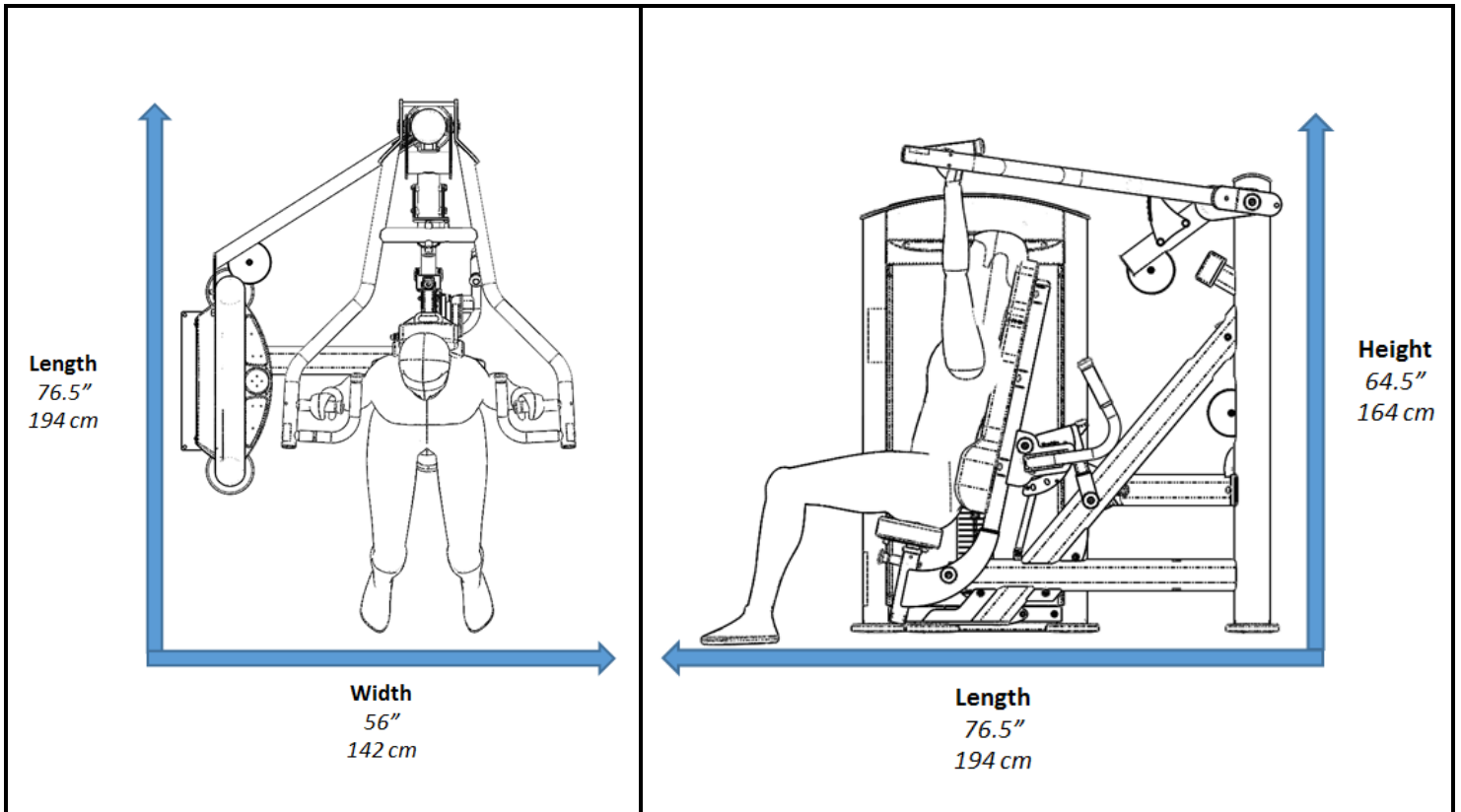
## SPACE REQUIREMENTS:

TRUE's recommendation is to leave a 40" (1.0m) safety zone on all sides of the unit.

Additionally for Functional Trainers there should be enough room left for full extension of all cable in all directions. (See Fig 1)



## WORKING DIMENSIONS:



# CHAPTER 1: SAFETY INSTRUCTIONS

## WARNING DECALS:

 **WARNING:** Replace warning labels that may be worn, damaged or missing.

\*To replace any worn or missing warning decals contact TRUE FITNESS by one of the following: [www.truefitness.com](http://www.truefitness.com) or contact customer service at 800-883-8783.

FORCE Weight Stack Labels: SWLAB175 (175 lb. Regular Weight Stack) and SWLAB255 (255 lb. Heavy Weight Stack).

Part Number: 7SM0045MD

COMMERCIAL MAINTENANCE SCHEDULE				
	DAILY	WEEKLY	MONTHLY	6 MONTHS
<b>INSPECT:</b> Cables for wear, tension and proper connection	X			
<b>INSPECT:</b> All nuts and bolts and tighten if needed		X		
<b>INSPECT:</b> All anti-slip surfaces and replace as needed		X		
<b>INSPECT:</b> All adjustment pins, weight stack pins, set screws, gas shocks, snap links, pulleys	X			
<b>INSPECT:</b> All accessory bars and handles		X		
<b>INSPECT:</b> All safety and instructional decals	X			
<b>INSPECT:</b> All weight stack shields	X			
<b>CLEAN:</b> Guide rods and lubricate with a teflon lubricant			X	
<b>CLEAN:</b> Upholstery	X			
<b>LUBRICATE:</b> Pivot bearings and linear bearings				X

**! WARNING!**

Replace damaged or worn parts with genuine True Fitness replacement parts. Failure to do so will void warranty and could result in serious injury or death. There is a risk assumed by individuals who use this type of equipment. To minimize the risk, always follow these rules.

1. Consult your physician before beginning any exercise program to insure physical readiness.
2. Never attempt to exceed your personal performance capabilities.
3. Stop exercising if you experience pain or dizziness and seek medical attention.
4. Read and understand the provided instructional information before using this equipment.
5. Inspect equipment before each use. Do not use equipment if any parts show wear or damage until those parts have been replaced by an authorized service provider. Failure to replace worn or damaged parts may result in injury or additional damage to the machine.
6. Follow a routine maintenance schedule as communicated in the owner's manual.
7. Keep bystanders clear of all moving parts to prevent injury.
8. If the equipment becomes inoperable for any reason, prevent it from being operated until an authorized service provider can repair it.
9. Children should not be allowed to use this equipment without adult supervision.
10. To ensure equipment cannot be tipped, bolt equipment to the exercise floor as communicated in the owner's manual.
11. Contact your authorized dealer or service provider if you have any questions on the proper use or maintenance of this equipment.

ASTM F1749 Part Number: 7SM0045MD

**! WARNING!**

**PINCH POINTS**



ASTM F1749 Part Number: 7SD0301

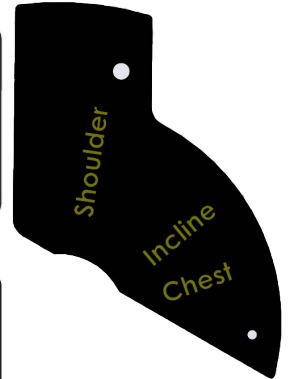
Part Number: SD0289

**! CAUTION!**

**MOVING PARTS**



ASTM F1749 Part Number: 7SD0398



**! WARNING!**

SERIOUS INJURY CAN OCCUR ON THIS EQUIPMENT IF THE PIN IS NOT COMPLETELY INSERTED BEFORE USE.

ASTM F1749 Part Number: 7SD0399

**TRUE**  
FITNESS TECHNOLOGY, INC.  
865 HOFF ROAD, O'FALLON, MISSOURI 63366 USA

Model No.  
**SD1005**

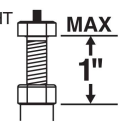
Serial No. / Date Code  
**15-SD001234J**

MADE IN CHINA

**! WARNING!**

SERIOUS INJURY CAN OCCUR ON THIS EQUIPMENT IF THE PIN IS NOT COMPLETELY INSERTED BEFORE USE.

MAXIMUM HEIGHT UNDER NUT TO BOLT HEAD.  
MAKE SURE LOCKING NUT IS TIGHT.



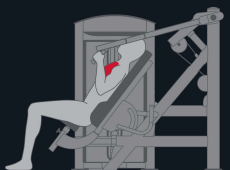
SERIOUS INJURY CAN OCCUR ON THIS EQUIPMENT IF THE CABLES AND THEIR ATTACHMENT POINTS ARE NOT INSPECTED OFTEN. REPLACE AT FIRST SIGNS OF WEAR.

ASTM F1749 Part Number: 7SM0045MD

**MULTI-PRESS**  
FORCE SERIES • SD1005

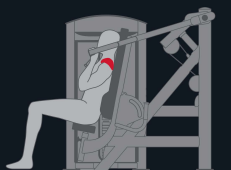
**TARGET MUSCLES: CHEST**

1. Select appropriate weight.
2. Adjust back pad and press arm for desired chest exercise.
3. Adjust seat so handles align with chest.
4. Grasp handles and push forward.
5. Perform the exercise in a slow controlled manner.



**TARGET MUSCLES: SHOULDERS**

1. Select appropriate weight.
2. Adjust back pad and press arm for shoulder exercise.
3. Adjust seat so the handles align with shoulders.
4. Grasp handles and push upward.
5. Perform the exercise in a slow controlled manner.



**TRUE**

LBL-PR-SD05BK

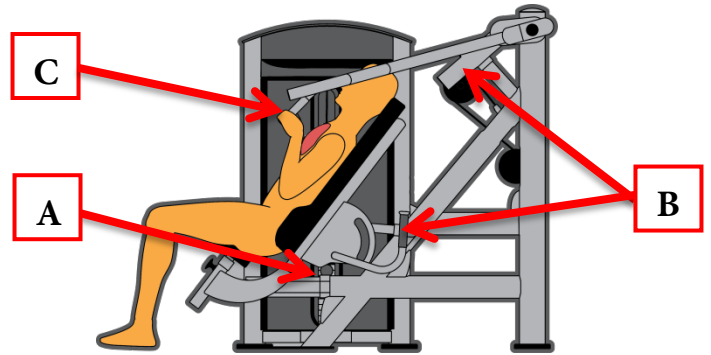


# CHAPTER 1: SAFETY INSTRUCTIONS

## PROPER TRAINING POSITION:

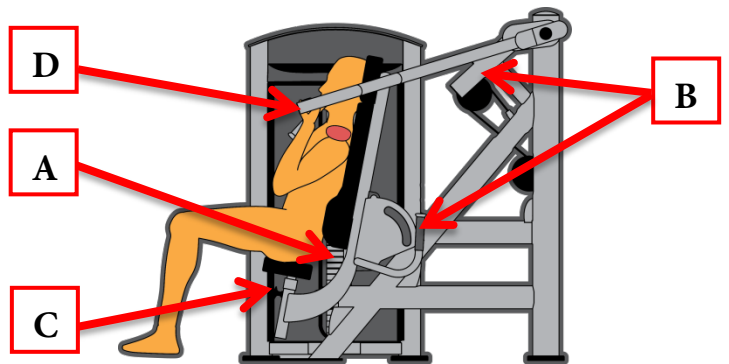
### Target Muscles: Chest:

- A. Select appropriate weight.
- B. Adjust back pad and press arm for desired chest exercise.
- C. Grasp handles and push forward.
- D. Perform the exercise in a slow controlled manner.



### Target Muscles: Shoulders:

- A. Select appropriate weight.
- B. Adjust back pad and press arm for shoulder exercise.
- C. Adjust seat so the handles align with shoulders.
- D. Grasp handles and push upward.
- E. Perform the exercise in a slow controlled manner.



# CHAPTER 2: ASSEMBLY GUIDE

## IMPORTANT SAFETY INSTRUCTIONS

- Read all instructions before using the equipment. These instructions are written to ensure the user's safety and to protect the unit.
- Do not allow children on or near the equipment.
- Use the equipment only for its intended purpose as described in this guide.
- Do not use accessory attachments that are not recommended by the manufacturer as they may cause injuries or damage the machine.
- Wear proper exercise clothing and shoes for a workout.
- Use caution when entering and exiting the machine.
- Never attempt to exceed your personal performance capabilities.
- If you feel any pain or become dizzy, stop your workout immediately and seek medical attention.
- Never attempt to operate the unit if you suspect that it is not working properly or appears damaged.
- Only allow authorized TRUE service providers to repair the machine.
- Never drop or insert anything into any opening in the equipment.
- Always inspect the unit and its cables before each use. Make sure that all
- Fasteners and cables are secure and in good working condition.
- Frayed or worn cables can be dangerous and may cause injury. Periodically check these cables for any indication of wear.
- Keep hands, limbs, loose clothing and hair well out of the way of moving parts.
- Never attempt to use this machine if it is not on stable, level and dry surface.

### **Personal Safety During Assembly:**

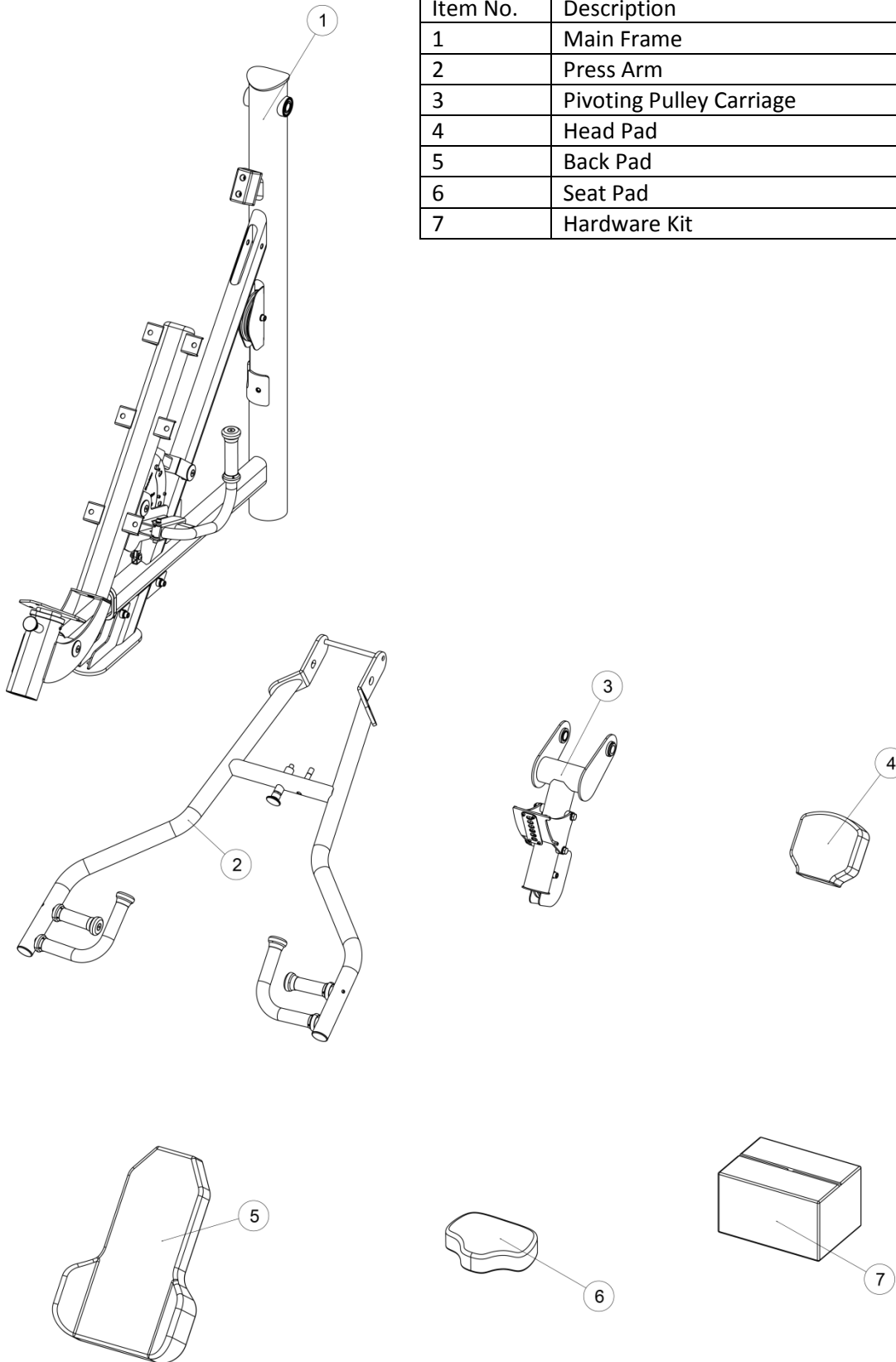
- Read each step in the assembly instructions and follow the steps in sequence. Do not skip ahead. If you skip ahead, you may learn later that you have to disassemble components and that you may have damaged the equipment.
- Assemble and operate the equipment on a solid, level and dry surface. Locate the unit a few feet from walls in an open area to provide easy access.
- Before beginning assembly please take the time to read instructions thoroughly.
- The assembly of this product requires two people to ensure that it is safely and properly assembled.
- Please use the various lists in this manual to make sure that all parts have been included in your shipment.
- When ordering, use part number and description from the lists. Use only True Fitness replacement part when servicing. Failure to do so will void your warranty and could result in personal injury or damage your machine.
- This equipment is designed to provide the smoothest, most effective exercise motion possible. After assembly, you should check all functions to ensure correct operation. If you experience problems, first recheck the assembly instructions to locate any possible errors made during assembly. If you are unable to correct the problem, call your authorized dealer. Be sure to have your serial number and this manual when calling. When all parts have been accounted for, continue on.

# CHAPTER 2: ASSEMBLY GUIDE

## PRE-ASSEMBLY CHECKLIST:

### Box One Contents:

Item No.	Description	QTY.
1	Main Frame	1
2	Press Arm	1
3	Pivoting Pulley Carriage	1
4	Head Pad	1
5	Back Pad	1
6	Seat Pad	1
7	Hardware Kit	1

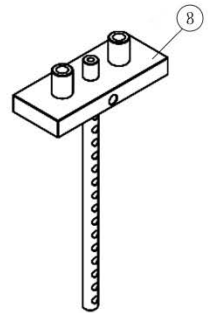
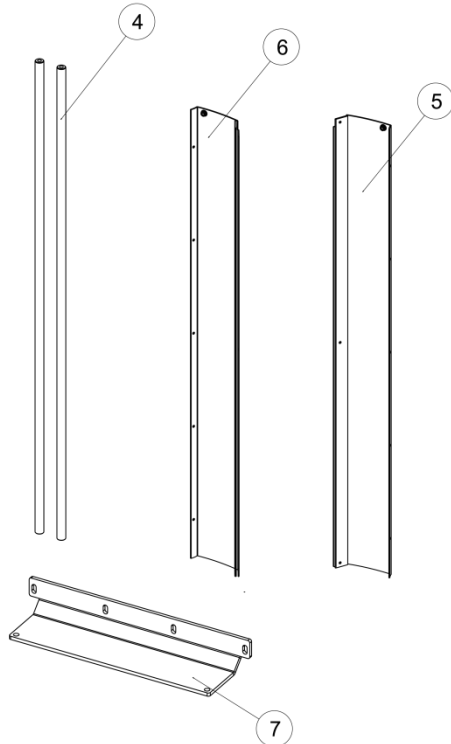
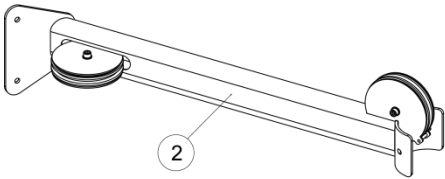
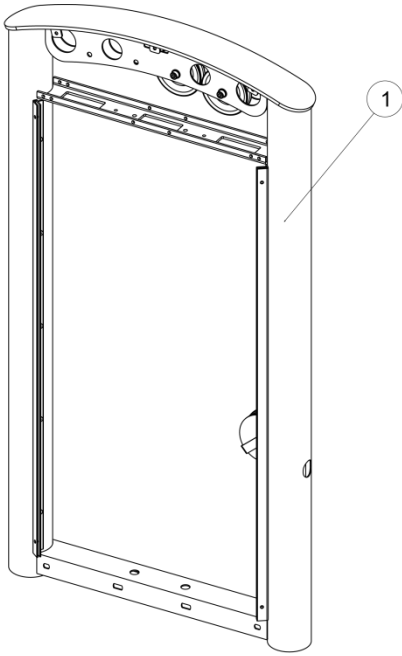


# CHAPTER 2: ASSEMBLY GUIDE

## PRE-ASSEMBLY CHECKLIST:

### Box Two Contents:

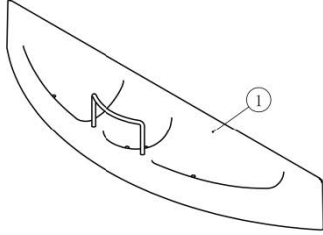
Item No.	Description	QTY.
1	Weight Stack Frame	1
2	Cross Member	1
3	Bottom Cross Member	1
4	Guide Rod	2
5	Left Rear Shroud Retention Plate	1
6	Right Rear Shroud Retention Plate	1
7	Stabilizer Foot.	1
8	Weight Stack Top Plate	1



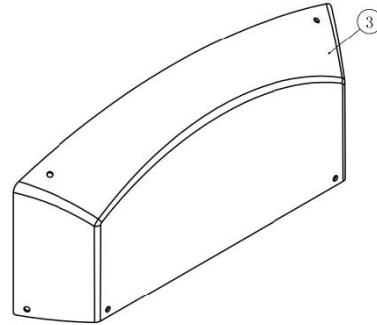
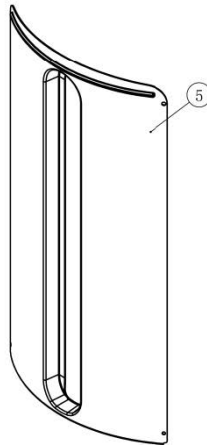
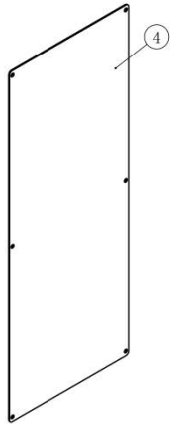
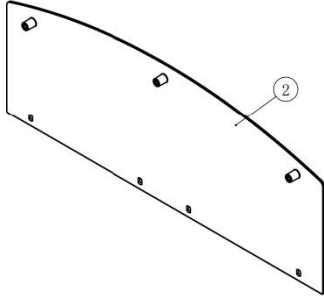
# CHAPTER 2: ASSEMBLY GUIDE

## PRE-ASSEMBLY CHECKLIST:

### Box Three Contents:

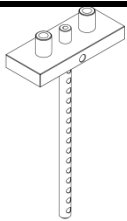


Item No.	Description	QTY.
1	Accessory Tray	1
2	Placard Frame	1
3	Outer Shield Cap	1
4	Back Shroud	1
5	Front Shroud	1

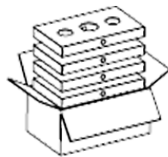


### Weight Plate Cartons:

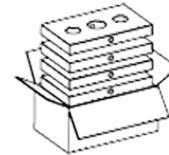
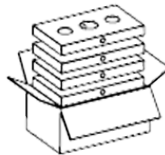
Weight Plates are packaged (4) per box. The shipment should contain (4) Boxes of weight plates for a total of 16 weight plates. The weight plates are available in two different sizes: 10 lbs. and 15 lbs. The 10 lbs. plates are used for the standard weight stack and the 15 lbs. plates are used for the heavy weight stack. Ensure the correct weight stack is being installed on this machine. \*The Top Plate and Selector Rod are packaged separately.



Top Plate & Selector Rod



10 LB Weight Plate Box  
(4) x 10lb. Weight Plates



**OR**

15 LB Weight Plate Box  
(4) x 15 lb. Weight plates

# CHAPTER 2: ASSEMBLY GUIDE

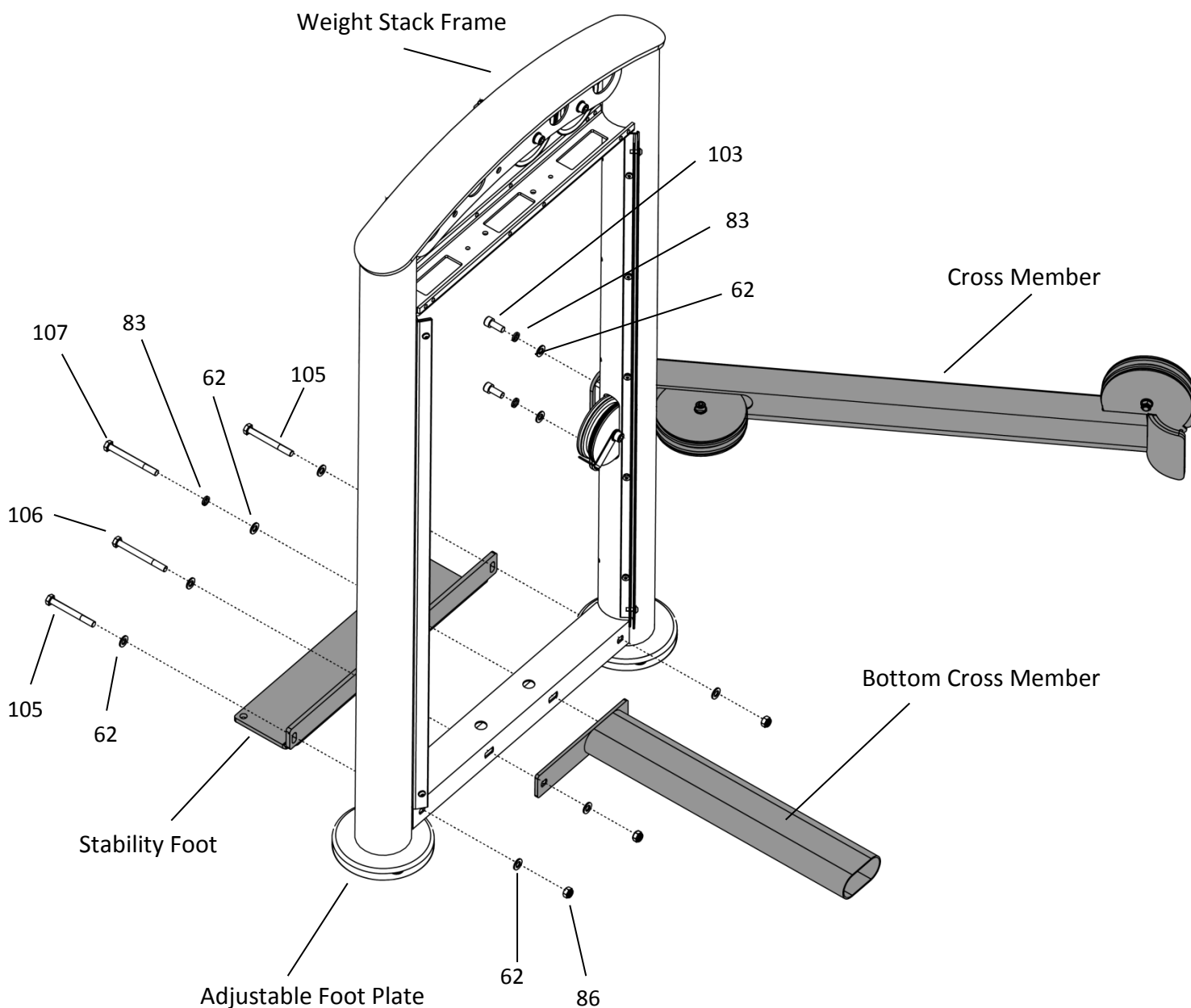
## UNIT ASSEMBLY STEPS:

### STEP 1 Frame Assembly:

1. Attach 2 Adjustable Foot Plates to the bottom of the Weight Stack Frame.

2. Secure the Bottom Cross Member, Cross Member and Stability Foot to the Weight Tower Frame as shown.

ITEM	Description	Qty
62	Flat Washer M10	9
83	Spring Washer M10	2
86	Lock Nut M10	3
103	Button Head Hex Socket Bolt M10*25	2
105	Hex Bolt M10*95	2
106	Hex Bolt M10*100	1
107	Hex Bolt M10*110	1



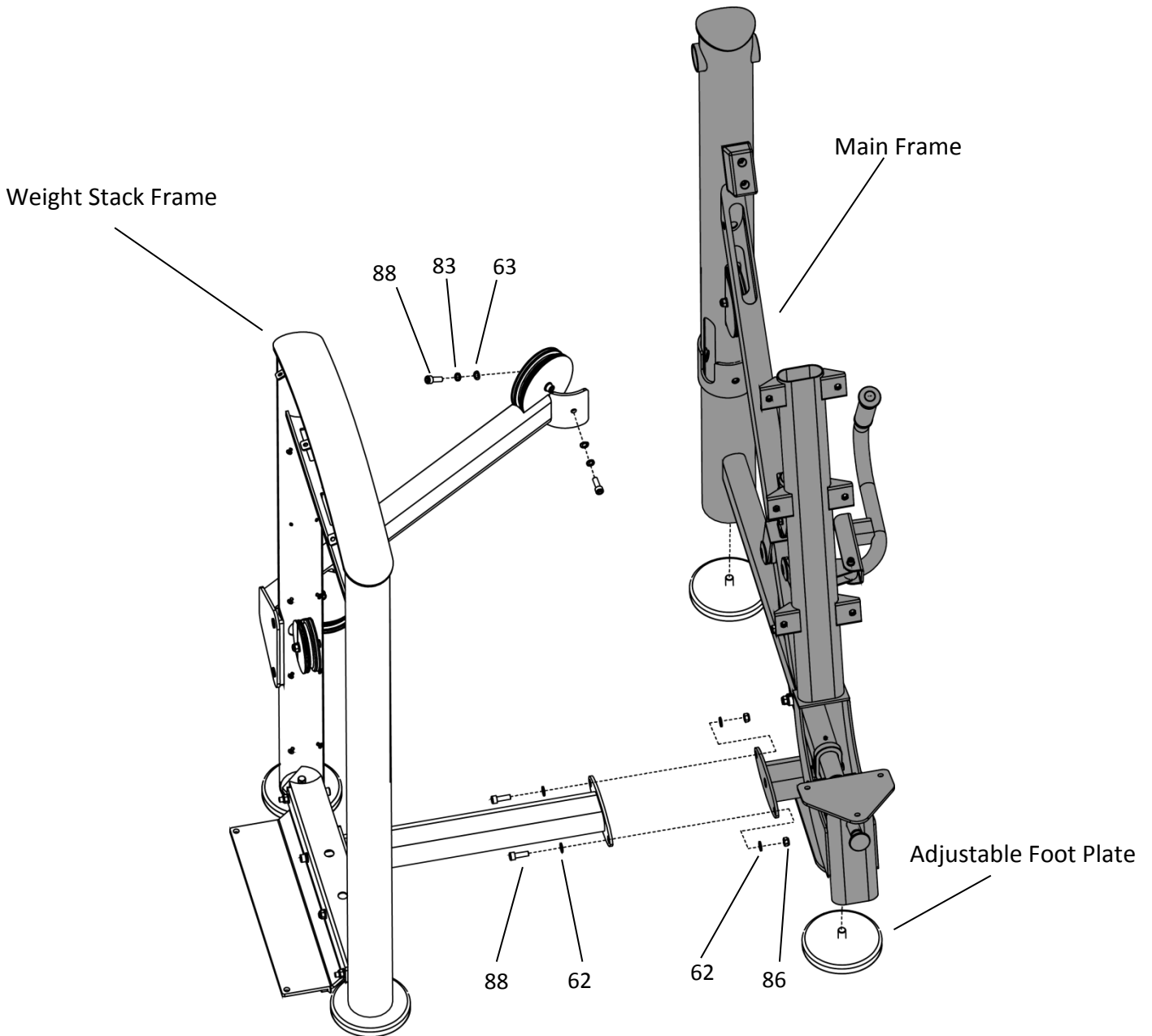
# CHAPTER 2: ASSEMBLY GUIDE

## UNIT ASSEMBLY STEPS (CONTINUED):

### STEP 2 Main Frame:

1. Install the Main Frame as shown.

ITEM	Description	Qty
62	Flat Washer M10	4
63	Curved Washer M10	2
83	Spring Washer M10	2
86	Lock Nut M10	2
88	Button Head Hex Socket Bolt M10X30	4



# CHAPTER 2: ASSEMBLY GUIDE

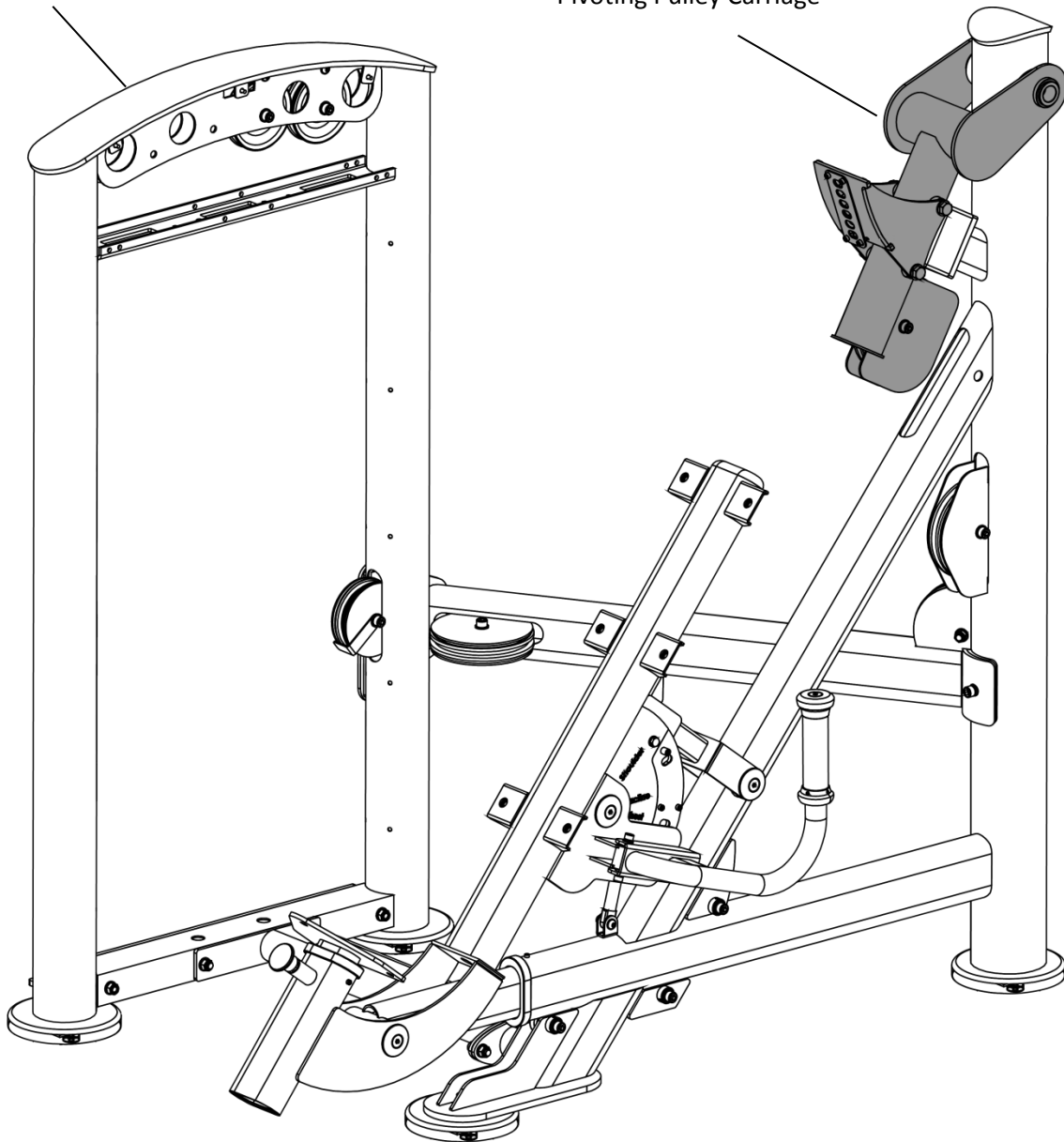
## UNIT ASSEMBLY STEPS (CONTINUED):

### STEP 3:

1. Lift the Pivoting Pulley Carriage into place
2. Hold the Pivoting Pulley Carriage in place throughout step 4

Weight Tower Frame

Pivoting Pulley Carriage





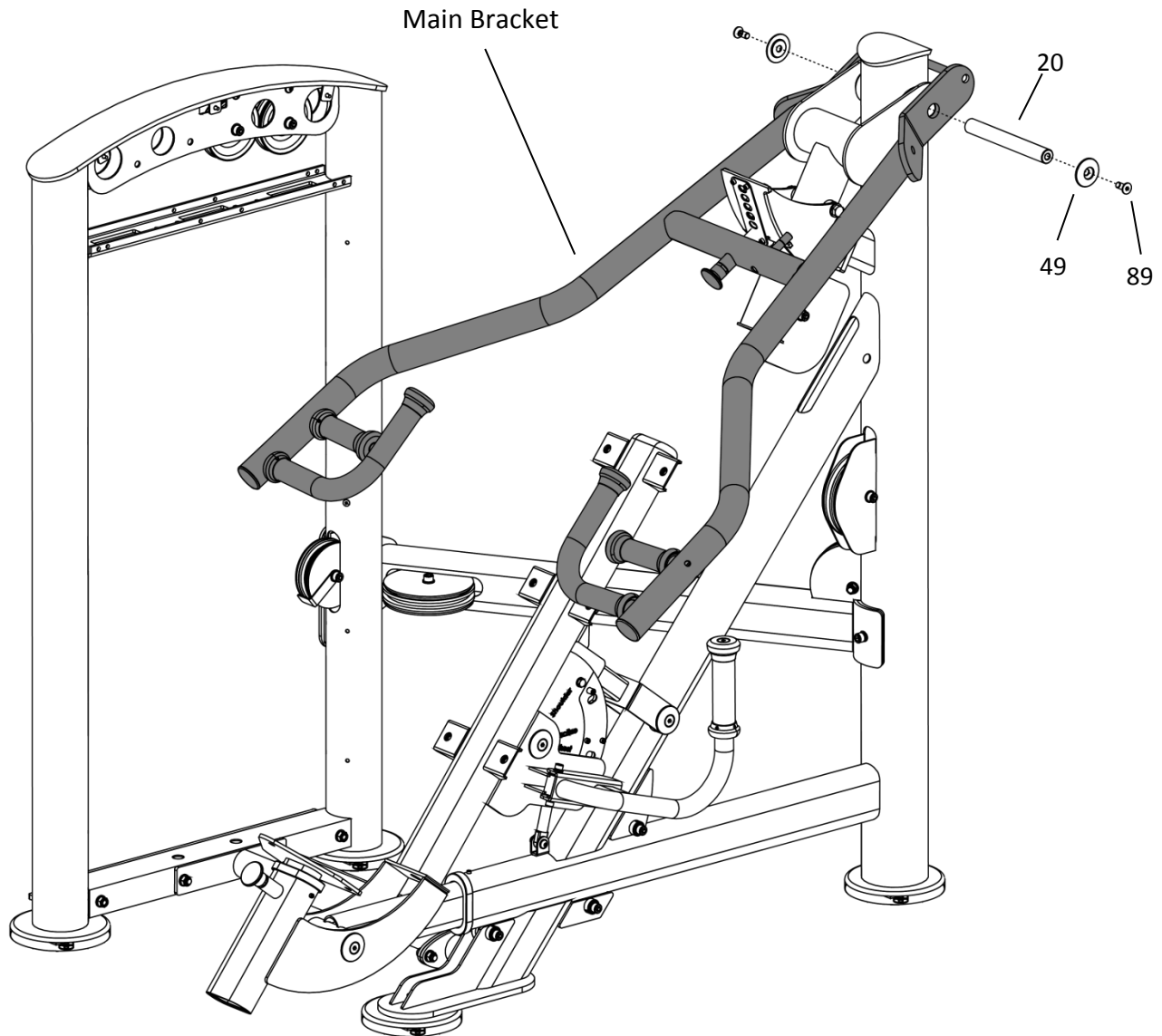
# CHAPTER 2: ASSEMBLY GUIDE

## UNIT ASSEMBLY STEPS (CONTINUED):

### STEP 4 Press Arm:

1. Install the Press Arm over Pivoting Pulley Carriage and secure as shown.

ITEM	Description	Qty
20	Shaft 25*206*M10	2
49	End Cap 50*11*8.1	2
89	Countersunk Hex Socket Bolt M10X25	2



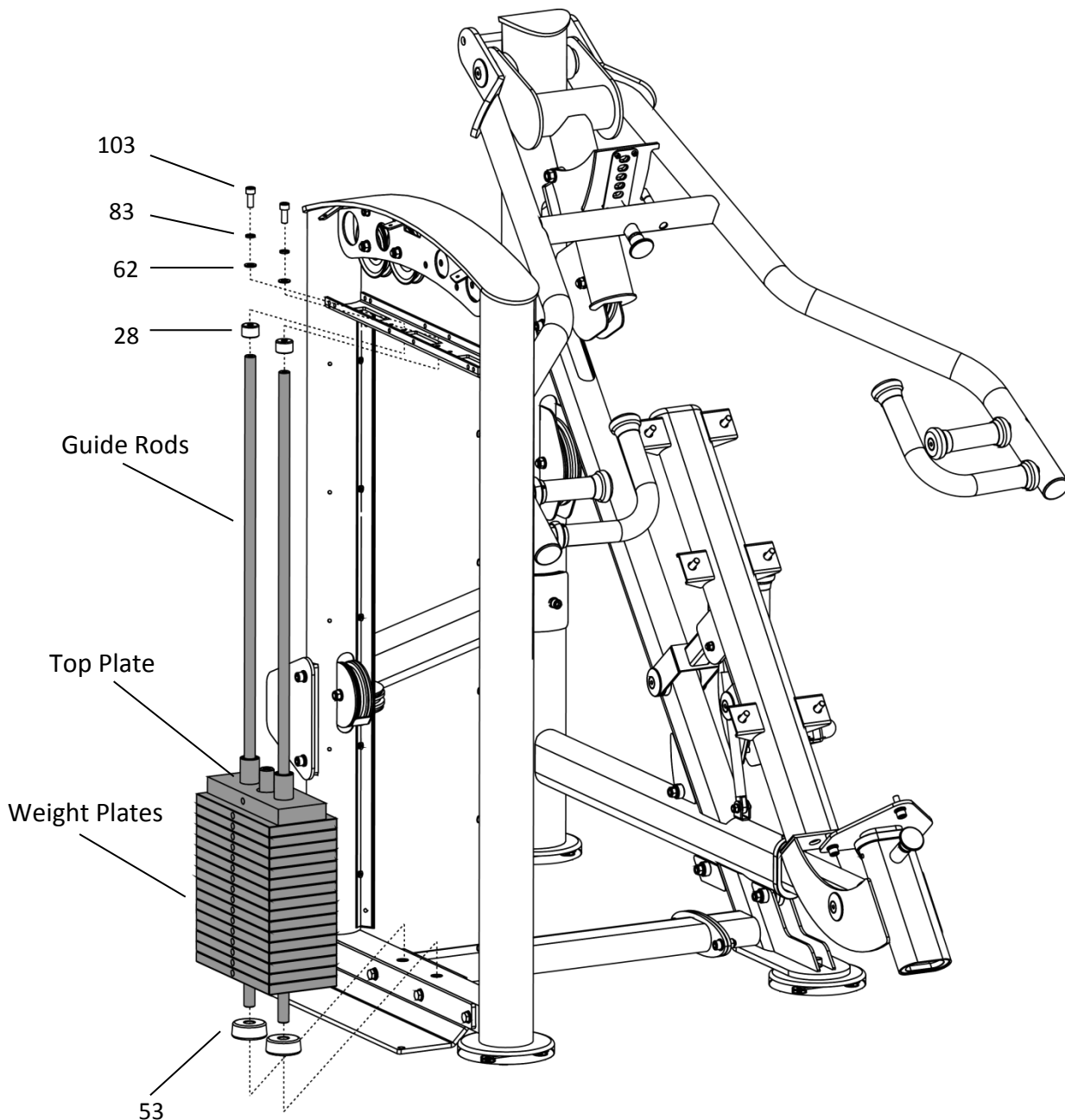
# CHAPTER 2: ASSEMBLY GUIDE

## UNIT ASSEMBLY STEPS (CONTINUED):

### STEP 5 Weight Stack Assembly:

1. Assemble and Install the Weight Tower as shown.

ITEM	Description	Qty
28	Nylon Sleeve For Guide Rod	2
53	Rubber Weight Bumper	2
62	Flat washer M10	2
83	Spring Washer M10	2
103	Button Head Hex Socket Bolt M10*25	2



# CHAPTER 2: ASSEMBLY GUIDE

## UNIT ASSEMBLY STEPS (CONTINUED):

### STEP 6 Cable Routing:

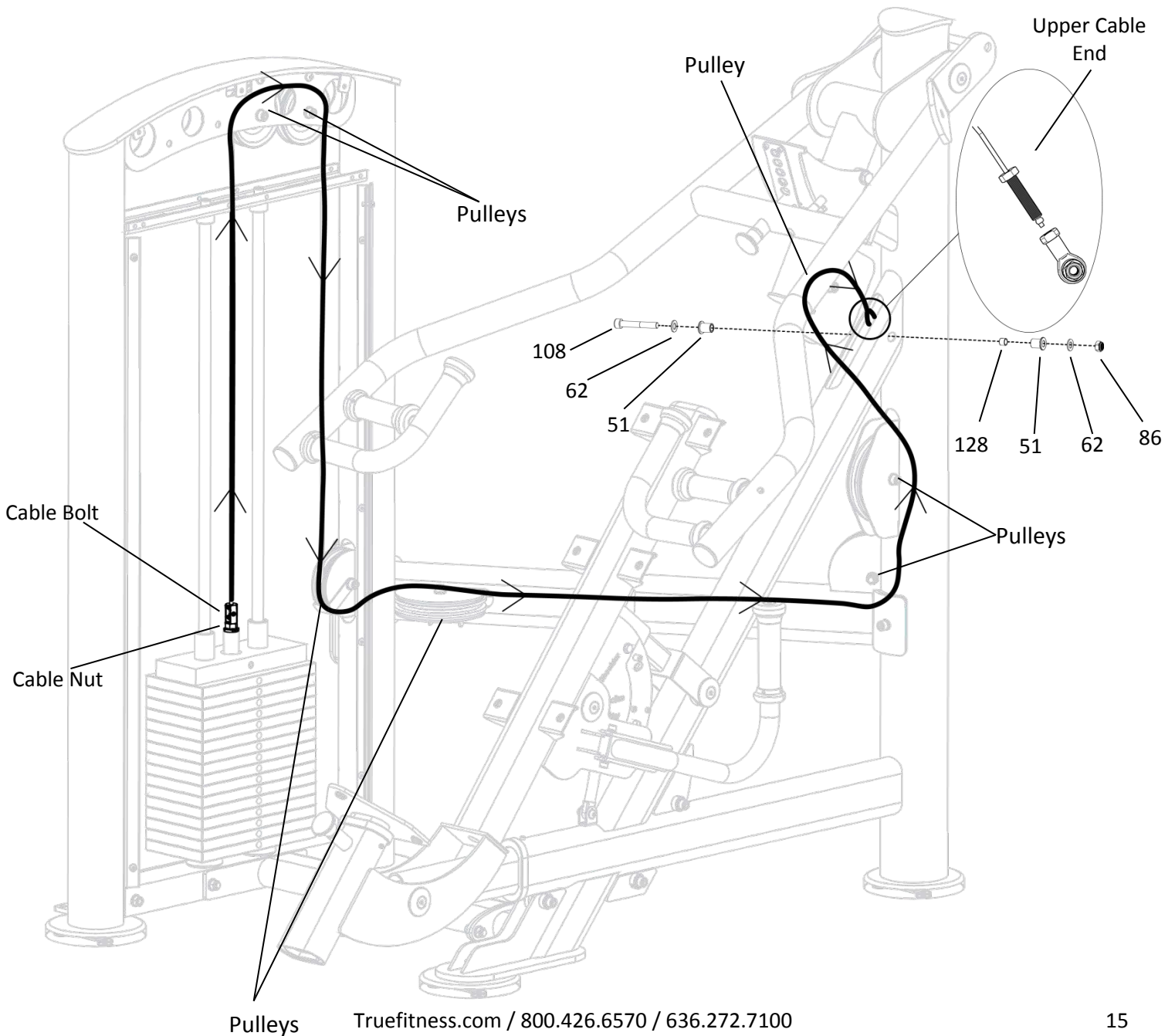
1. Route the Cable as shown.

2. Tighten the cable nut on the cable bolt against the top plate.

**\*Verify that the no more than 1 inch (25.4mm) of the cable bolt is left exposed.**

3. Secure the Upper Cable End with the hardware as shown.

ITEM	Description	Qty
51	Spacer 22*15.8*21.5	2
62	Flat Washer M10	2
86	Lock Nut M10	1
108	Button Head Hex Socket Bolt M10X70	1
128	Bushing 10*10	1



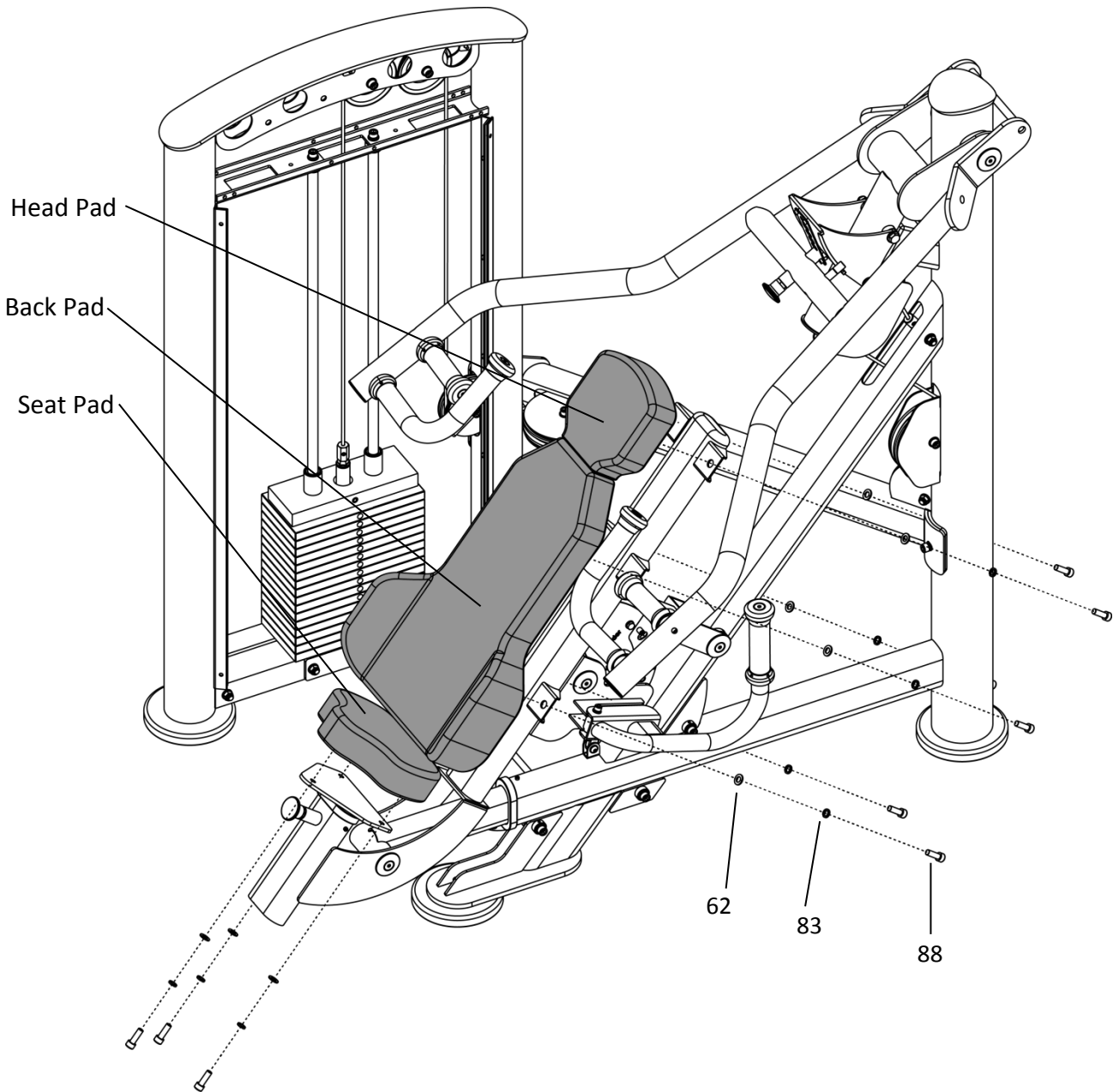
# CHAPTER 2: ASSEMBLY GUIDE

## UNIT ASSEMBLY STEPS (CONTINUED):

### STEP 7 Seat, Back and Head Pads:

1. Install the Seat, Back and Head Pads as shown below.

ITEM	Description	Qty
62	Flat Washer M10	6
83	Spring Washer M10	4
88	Button Head Hex Socket Bolt M10X30	2



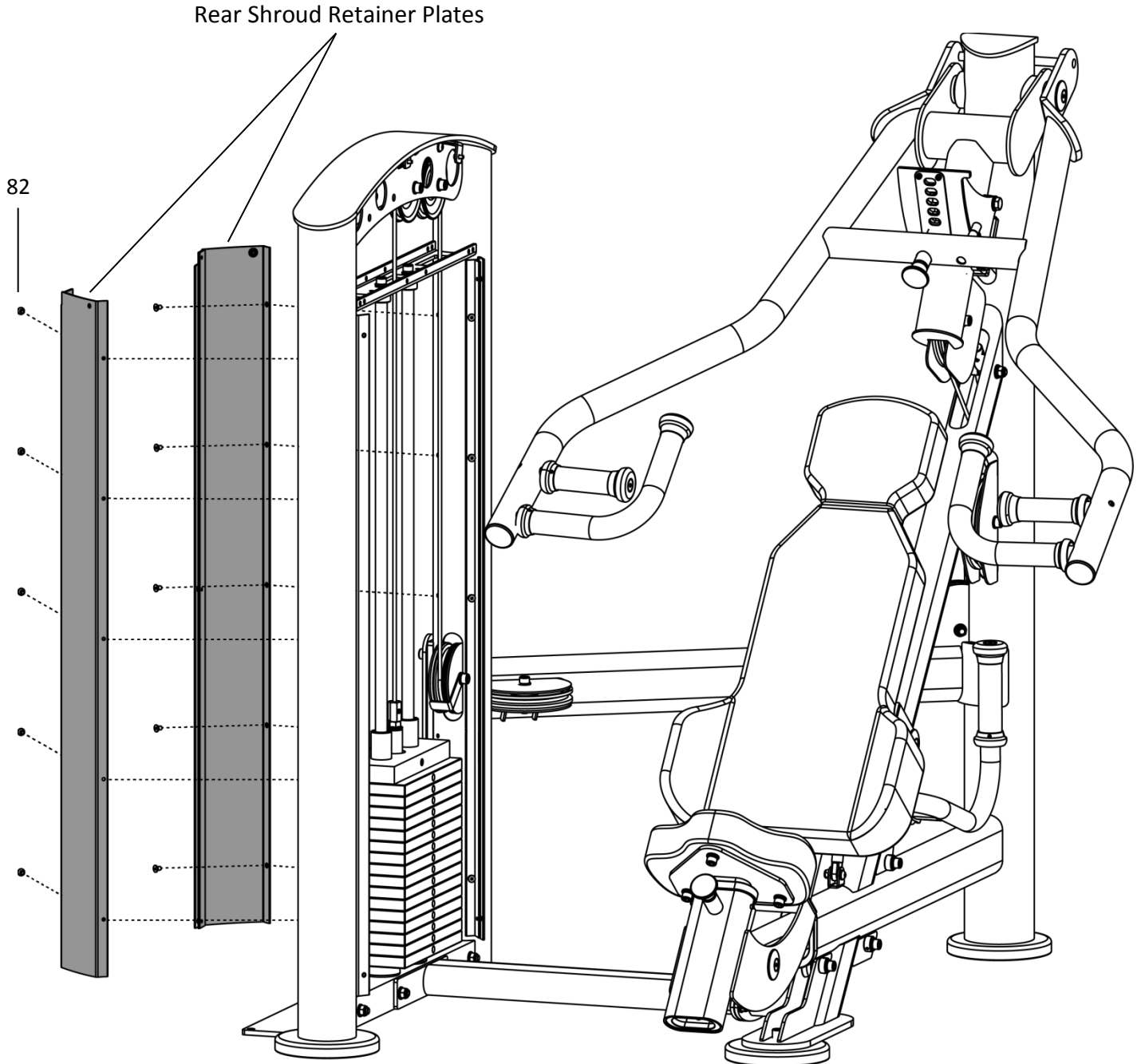
# CHAPTER 2: ASSEMBLY GUIDE

## UNIT ASSEMBLY STEPS (CONTINUED):

### STEP 8 Rear Shroud Retainer Plates

1. Install the Rear Shroud Retainer Plates as shown in the diagram below.

ITEM	Description	Qty
82	Countersunk Hex Socket Bolt M6*10	10



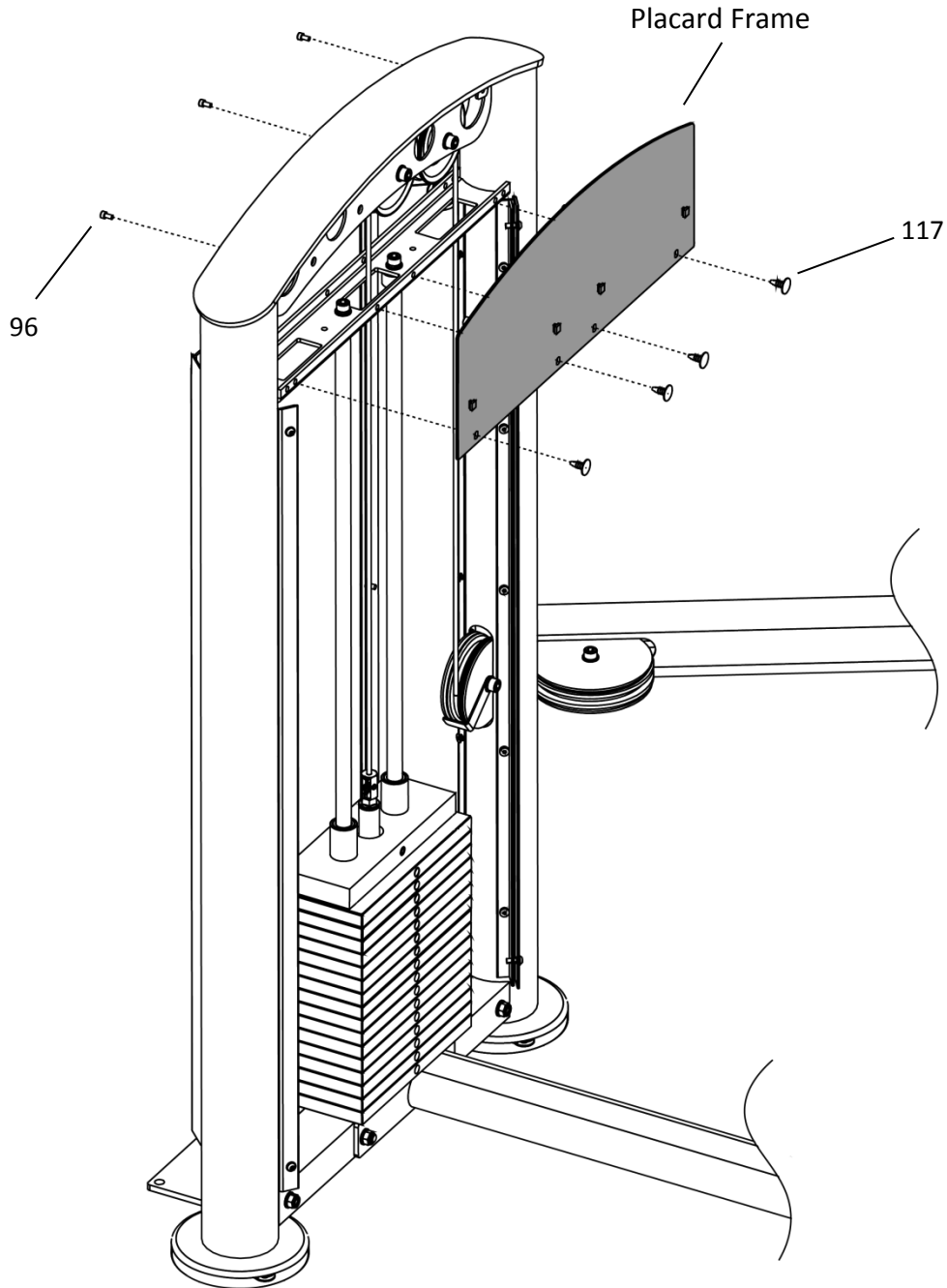
# CHAPTER 2: ASSEMBLY GUIDE

## UNIT ASSEMBLY STEPS (CONTINUED):

### STEP 9 Placard Frame:

1. Attach the Placard Frame to the Weight Tower as shown.

ITEM	Description	Qty
117	Button Clip	4
39	Button Head Hex Socket Bolt M5X10	3



# CHAPTER 2: ASSEMBLY GUIDE

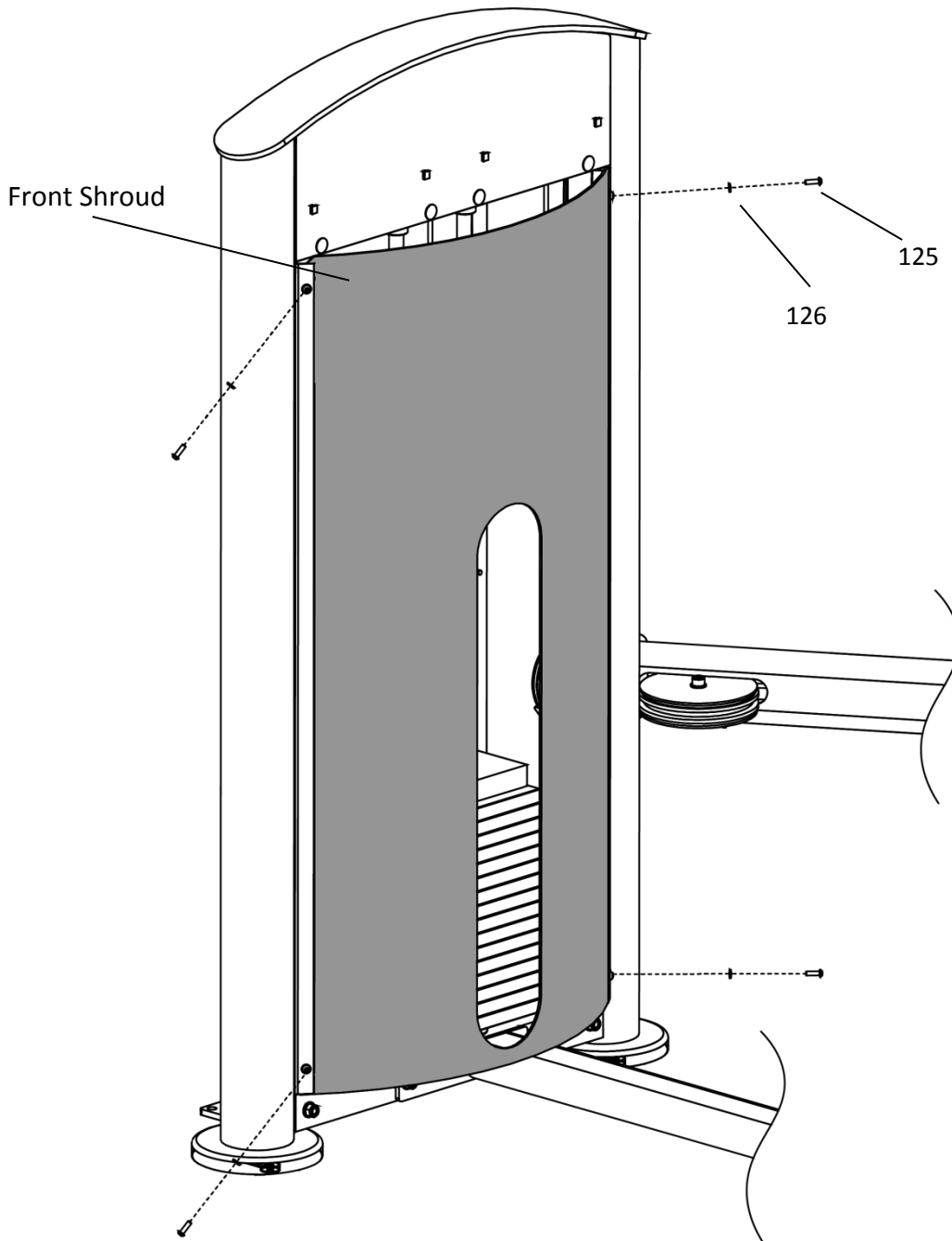
## UNIT ASSEMBLY STEPS (CONTINUED):

### STEP 10 Front Shroud:

1. Slide the Front Shroud into the Front Shroud Retainer Plates.

ITEM	Description	Qty
125	Flat Washer 6.6x12x1.6	4
126	M6x20 Button Head Cap Screw	4

2. Secure the shroud with 4 screws and 4 washers as shown.

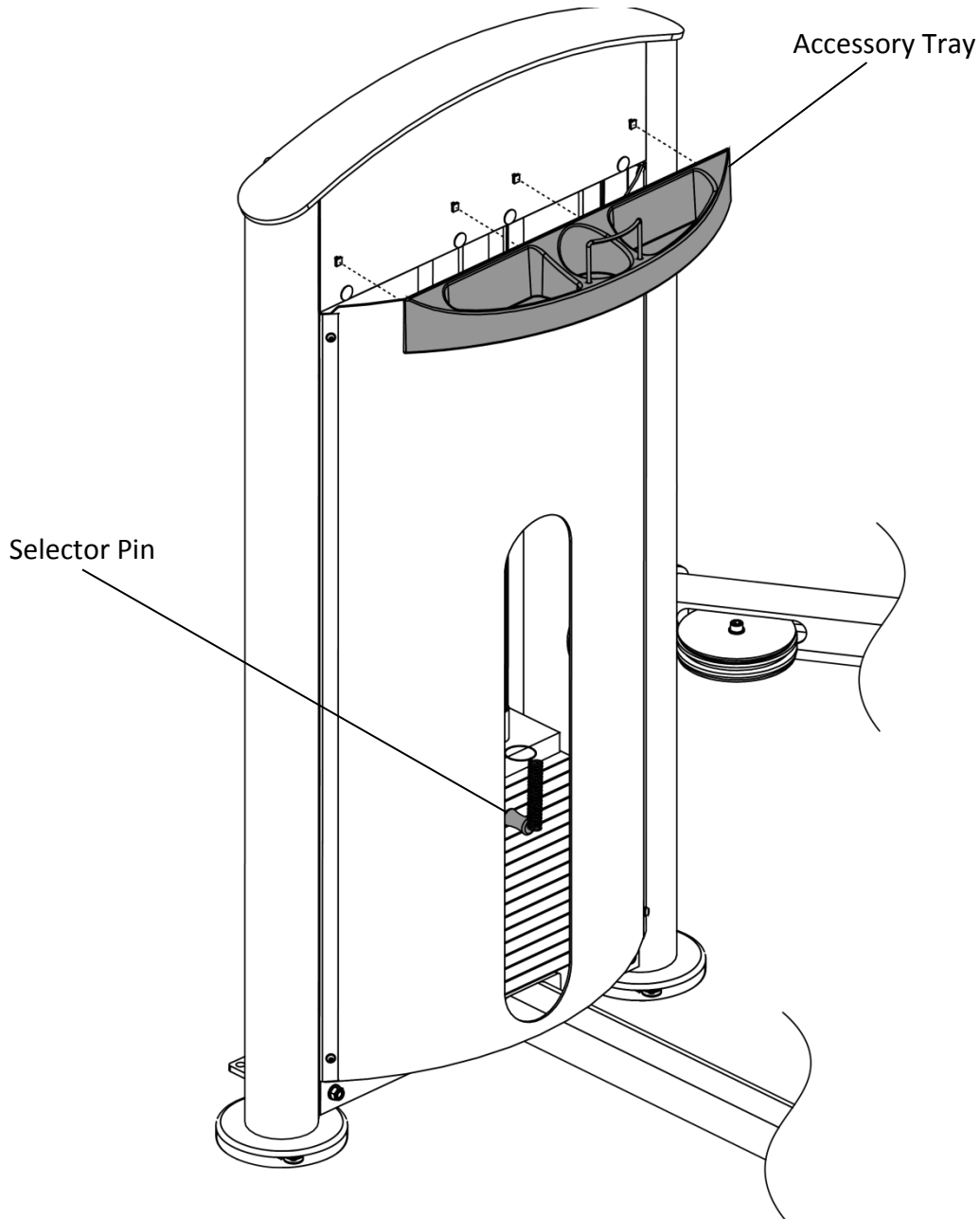


# CHAPTER 2: ASSEMBLY GUIDE

## UNIT ASSEMBLY STEPS (CONTINUED):

### STEP 11 Accessory Tray & Selector pin:

1. Secure the Accessory Tray to the Placard Frame by snapping it into place.
2. Insert the Selector Pin into the weight stack and attach it to the Weight Cable





# CHAPTER 2: ASSEMBLY GUIDE

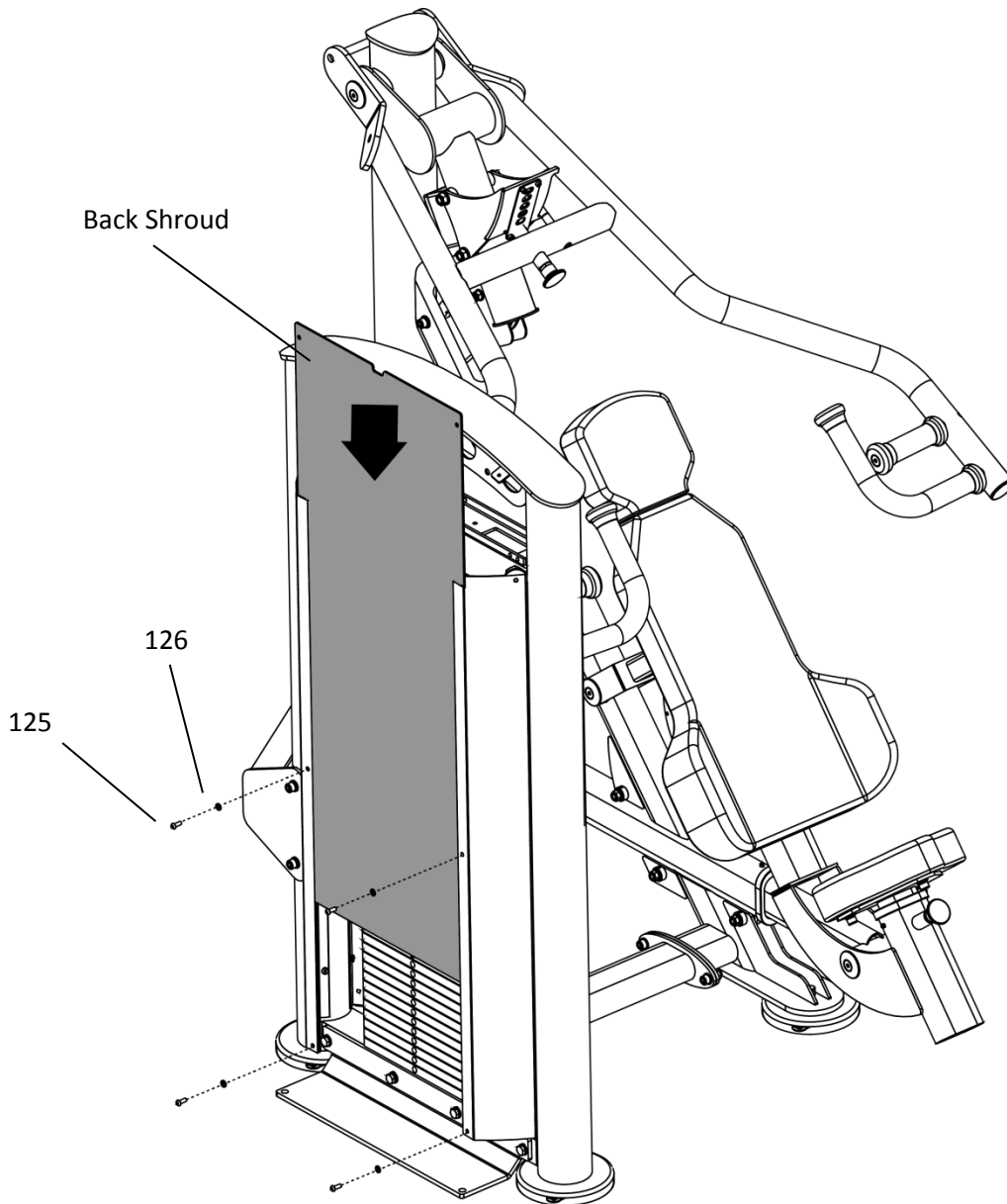
## UNIT ASSEMBLY STEPS (CONTINUED):

### STEP 12 Back Shroud:

1. Slide the Back Shroud down into the Retainer Plates.

ITEM	Description	Qty
125	Mushroom Head Hex Socket Bolt M6*16	4
126	Flat Washer M6	4

2. Secure the shroud with 4 screws and 4 washers as shown.



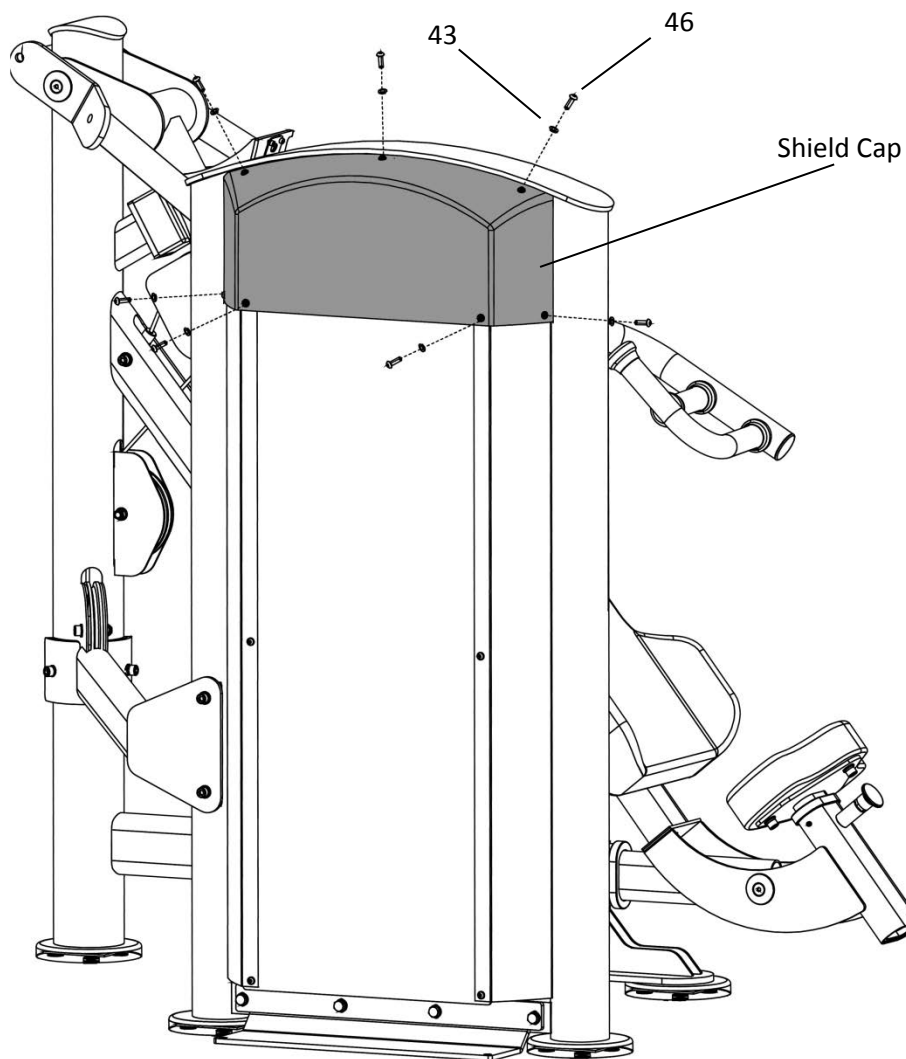
# CHAPTER 2: ASSEMBLY GUIDE

## UNIT ASSEMBLY STEPS (CONTINUED):

### STEP 13 Shield Cap:

1. Install the Shield Cap as shown.

ITEM	Description	Qty
125	Mushroom Head Hex Socket Bolt M6*16	7
126	Flat Washer M6	7



# CHAPTER 3: PRODUCT OVERVIEW

## PRODUCT OVERVIEW:



# CHAPTER 4: CARE & MAINTENANCE

## CARE & MAINTENANCE:

Preventative maintenance is crucial to maintaining the function and safety of this equipment. Your facility must establish written guidelines for preventative maintenance and keep written or online records of the maintenance performed on these products. As a minimum, the items presented in the Safety Instructions section of this document and the items that follow here, should be included in your maintenance program.

**IMPORTANT:** Always purchase replacement parts from TRUE Fitness. Many parts are tested and manufactured specifically for TRUE Fitness equipment. Use of unapproved parts may cause serious injury and/or void the limited warranty.

## DAILY INSPECTION & MAINTENANCE:

The following items are critical to the safety of users and maintenance staff as well as ensuring the optimum performance of the machines. These inspections should be performed each day before the equipment is subject to use. TRUE Fitness is not responsible for performing or scheduling regular maintenance or inspections.

- Inspect cables for wear, tension and proper connection (as described in the cable inspection section below).
- Inspect all adjustment pins weight stack pins, set screws, gas shocks, snap links, and pulleys.
- Inspect all safety and instructional decals.
- Inspect all weight stack shields.
- Verify that rubber hand grips are intact and secure.
- Verify that anti-skid foot grips are intact and secure
- Verify that the weight stack selector pin is attached with the coiled lanyard to the top plate.

## WEEKLY INSPECTION & MAINTENANCE:

The following items are critical to the safety of users and maintenance staff as well as ensuring the optimum performance of the machines. These inspections should be performed each week. TRUE Fitness is not responsible for performing or scheduling regular maintenance or inspections.

- Check entire length of cable & end fittings for any signs of wear. Replace immediately as required. (Refer to Daily Maintenance Section).
- Verify that A minimum of 1/2 inch (12.7mm) of the threaded portion of the cable bolt is threaded into the top plate and that the nut is tight. (See Cable Inspection & Maintenance Section).
- Perform a function test by placing the selector pin in the TOP PLATE and Cycling the machine through the intended motion. Verify that the machine operates smoothly without binding. Select a moderate weight and repeat.
- Verify that each pulley rotates freely when performing the exercise. A pulley that does not rotate will cause extreme cable wear and could lead to cable failure. Determine cause and remedy immediately.
- Verify that the adjustment pop pins retract easily and fully engage (when released) into each adjustment disc hole/slot. The pop pins are spring loaded so they should return to the engaged position when you release the knob.
- Verify that the adjustment pin disengages and engages freely when actuating the adjustment mechanism. Be sure that the adjustment pin inserts fully into the adjustment disc.
- Verify that all hardware (nuts/bolts and fasteners) is tight and that associated frame members are secure. Apply a few small drops of a thread locking compound such as Loctite on any loose bolts.
- Inspect frame for integrity and function. Replace any components at the first sign of wear with only TRUE supplied parts.

## CHAPTER 4: CARE & MAINTENANCE

### OTHER SCHEDULED PREVENTIVE MAINTENANCE:

TRUE recommends that scheduled maintenance be performed by a qualified service technician. Please contact your dealer or visit [www.truefitness.com](http://www.truefitness.com) to contact a local TRUE authorized service technician.

#### Monthly:

Clean guide rods and lubricate with a Teflon lubricant.

#### Every 6 months:

Lubricate pivot bearing and linear bearings with lithium grease.

### CLEANING THE EQUIPMENT:

#### Daily Cleaning:

Wipe all machines with a water dampened cloth and dry completely. This includes painted parts, chrome plated parts (except guide rods), plastic parts, and upholstered pads. It is important not to leave parts damp. This will increase the potential for corrosion to occur.

#### CAUTION:

Certain anti-bacterial cleaners and other harsh cleaning agents can induce corrosion on the machine components. These solutions can also dry out and cause cracking and splitting on the upholstery.

#### Heavy Duty Cleaning:

**Guide Rods:** Clean and lubricate with a Teflon Spray. Be sure to coat the entire guide rod. Spraying lubricant into the cap plate bushings is also recommended.

**Chromed Adjustment Tubes:** Wipe away dust and dirt before applying a Teflon spray lubricant. TRUE Fitness recommends using TriFlow or a similar brand.

**Linear Bearings:** Clean the linear shaft and lubricate (as required) with Teflon based grease. Keeping linear bearings clean and lubricated is critical to long life and good performance.

**Painted Frames:** If you have scuff marks, grease or a heavy dirt buildup on frame components, start with a mild soap solution or a diluted solution of a product such as Simple Green. If you cannot remove the marks using those methods, use a car polish/cleaner. DO NOT use solvents such as lacquer thinner, mineral spirits or acetone. For deeper scuff marks, use an automobile finish rubbing compound.

**Upholstery:** For heavy duty cleaning, use a mild soap solution. This method should be sufficient in the majority of instances. In severe stain cases, you can use a solution of 5-10% household bleach diluted with water. Be sure to test an inconspicuous area first. DO NOT use chemical cleaners on the vinyl upholstery. You can also use a lanolin based hand cleaner to clean your upholstery. Wipe off after cleaning with a damp cloth and thoroughly dry. Plastic Parts: Use a mild soap solution to clean dirt and grease marks. Labels: Use a mild soap solution to clean dirt and grease marks. Shrouds: Use a mild soap solution to clean dirt and grease marks.

#### CAUTION:

Do not use any acidic cleaners. Doing so will weaken the paint or powder coatings and may void the TRUE Fitness Warranty. Never pour or spray liquids on any part of the equipment. Allow the equipment to dry completely before using.

# CHAPTER 4: CARE & MAINTENANCE

## ▲ CAUTION:

If you determine that the equipment needs service, make sure that the equipment cannot be used inadvertently and ensure other users know that the machine needs service.

\*To order parts or to contact a TRUE Authorized Service representative, please visit [www.truefitness.com](http://www.truefitness.com)

## CABLE INSPECTION & MAINTENANCE:







One of the most critical areas that require frequent inspection on any weight machine is the cable or belt system that lifts the weight stack. Sudden failure of a worn cable can in some instances, result in injury to the user. It is the responsibility of the facility to inspect the cables frequently.

Cables are components that wear over time. This means that the more often a piece of equipment is used, the greater the likelihood that cable wear will occur. This holds true for equipment made by any manufacturer and applies to urethane belts as well as wire rope cables. Listed below are the areas of the cable that require inspection.

\*TRUE Fitness recommends that all cables be replaced on an annual basis to maintain the safety of all users.

### Cable Wear:

Inspect all cables for any signs of wear. Pay close attention to the cable in the area of the end fittings and attachment points. Inspect the areas around the pulleys and/or cams. Shown below are examples of cables that exhibit signs of potential failure. If any of these conditions are apparent, the machine should immediately be taken out of service and repaired. Be sure to use only cables supplied by TRUE Fitness. DO NOT use cables that have fittings attached with hand-crimp tools.

<b>Twisted Cable (Zig-Zag pattern):</b> 	<b>Break in the Cable Cover:</b> 
<b>Break/Bend in Cable:</b> 	<b>Tear in the Cable Cover:</b> 
<b>Stretched Cable Covering:</b> 	<b>Crimp Connector Dislodged:</b> 

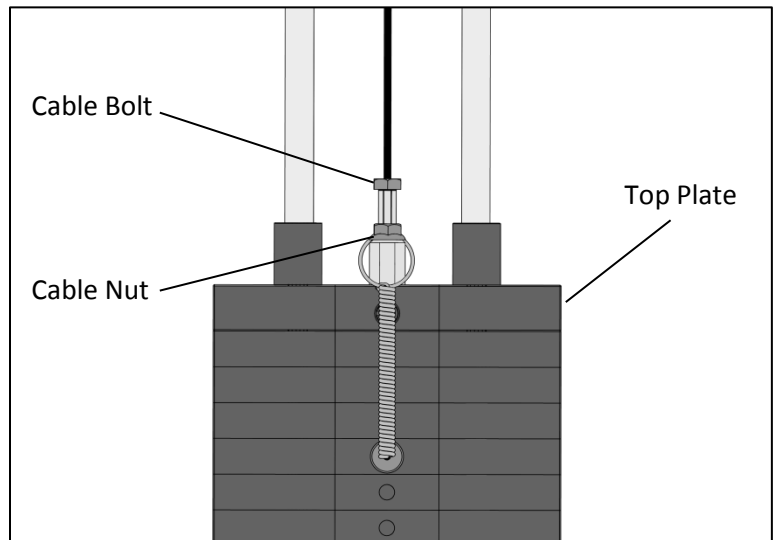
## CHAPTER 4: CARE & MAINTENANCE

### CABLE INSPECTION & MAINTENANCE (CONTINUED):

#### Cable Tension:

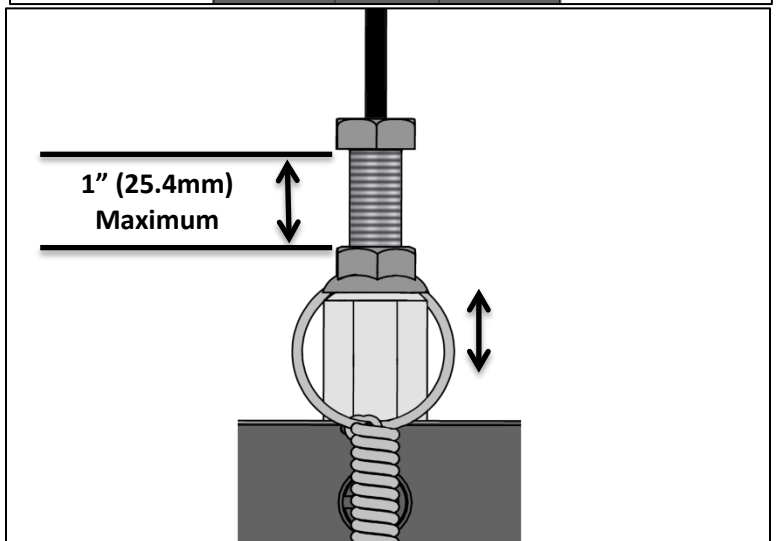
Ensure that the cables are adjusted to remove any slack using the threaded end fittings. These are normally located at the weight stack connection. Depending upon the machine, there may be multiple threaded fitting on multiple cables. You can determine if there is too much slack by performing the exercise. As you start to move a load arm or handle, the weight stack should lift immediately. If not, the cable tension needs to be adjusted.

To adjust the cable tension, loosen the cable nut that is located on the Cable Bolt connected to the Top Plate. Tighten the cable bolt until the top plate is barely lifted off of the first weight plate and then re-tighten the cable nut.



#### **▲ CAUTION:**

No More than 1 inch (25.4mm) of the threaded portion of the cable bolt should be visible



#### Handle Fittings (if applicable):

Inspect the cable fittings where any handles are attached to the end of the cable. The fittings supplied with this machine are load rated snap-links. Ensure that the snap-link opens and closes easily and is fully engaged when closed. Replace the snap-link as needed.



## CHAPTER 5: CUSTOMER SERVICE

### CONTACTING SERVICE:

TRUE Fitness recommends that you gather the serial number, model number, and a brief description of the reason for the request. After information has been gathered you may choose to contact your selling dealer or local service company to set an appointment. (If you are not familiar with who is in your area, you may visit our website at [www.truefitness.com](http://www.truefitness.com) and use our dealer locator to obtain the contact information for the closest dealer).

You may also contact TRUE Fitness' customer support team by calling 800.883.8783 or e-mailing us at [service@truefitness.com](mailto:service@truefitness.com) Monday – Friday during normal business hours.

#### TRUE FITNESS SERVICE DEPARTMENT

865 HOFF ROAD

ST. LOUIS, MO 63366

1.800.883.8783

HOURS OF OPERATION: 8:30 A.M. - 5:00 P.M. CST

E-MAIL: [service@truefitness.com](mailto:service@truefitness.com)

### CONTACTING SALES:

Interested in TRUE Products? Please contact us with any sales or product inquires so that we may direct you to the appropriate sales representative to answer your questions.

#### TRUE FITNESS HOME OFFICE

865 HOFF ROAD

ST. LOUIS, MO 63366

1.800.426.6570

HOURS OF OPERATION: 8:30 A.M. - 5:00 P.M. CST

E-MAIL: [sales@truefitness.com](mailto:sales@truefitness.com)



## CHAPTER 5: CUSTOMER SERVICE

### REPORTING FREIGHT OR PARTS DAMAGE:

Unfortunately, sometimes materials can be damaged during shipment. If materials are damaged during shipment, please follow the guidelines below to determine the appropriate process for you to follow in case of damages.

#### Severe Damage:

Obvious damage to external packaging / internal product. Please **refuse** the shipment and it will be returned to TRUE Fitness by the carrier. Contact the TRUE Fitness customer support team by calling 800.883.8783 or sales support team by calling 800.426.6570 Monday-Friday during normal business hours to notify us that the shipment has been refused. Once we have received the damaged shipment, a replacement shipment will be sent to you. Only refuse the damaged piece if the shipment is multiple boxes.

#### Slight Damage:

The box may have minimal damages and you are not sure if the actual product is damaged or not. You **must** sign the bill of lading as damaged when accepting the shipment. Once you have opened the box and you have determined something is indeed damaged please gather the serial number, model number, description and photos of damages. Please make sure the photos include the damaged product as well as the damaged box the product arrived in. Contact the TRUE Fitness customer support team by calling 800.883.8783 or sales support team by calling 800.426.6570 Monday-Friday during normal business hours.

#### Concealed Damage:

You may receive a shipment that looks intact and discover once the box has been opened that there are hidden damages. Please notify the carrier **immediately**. We will not be able to file a claim if the carrier is not notified in a timely manner. Once you have called the carrier you will need to gather the serial number, model number, description and photos of damages. Contact the TRUE Fitness customer support team by calling 800.883.8783 or sales support team by calling 800.426.6570 Monday-Friday during normal business hours.

# CHAPTER 6: ADDITIONAL INFORMATION



## COMMERCIAL LIMITED WARRANTY FORCE STRENGTH LINE

Save Time and Register Online!  
Activate Multiple Warranties at [truefitness.com](http://truefitness.com)

All TRUE® Fitness products are distributed by TRUE and are warranted to the original registered product purchaser and the parts of the TRUE product (the "Product") listed below, under normal use and service, shall be free of manufacturing defects in workmanship and materials only for the period of time beginning from the original date of purchase set forth below:

Frame*	Lifetime
<b>Parts</b>	
<b>Bearings, Bushings and Weight Plates</b>	<b>5 Years</b>
<b>Guide Rods and Pulleys</b>	<b>5 Years</b>
<b>Cables and Belts</b>	<b>1 Year</b>
<b>Cosmetics, Coatings, Grips and Upholstery</b>	<b>6 Months</b>
<b>Labor</b>	
<b>Frame</b>	<b>1 Year</b>
<b>Bearings, Bushings, Weight Plates</b>	<b>1 Year</b>
<b>Guide Rods and Pulleys</b>	<b>1 Year</b>
<b>Cables and Belts</b>	<b>1 Year</b>
<b>Cosmetics, Coatings, Grips and Upholstery</b>	<b>6 Months</b>

**NOTE: Warranty valid for USA and Canada only.**  
**NOTE: Failure to register this product will result in no servicing or authorization of parts to be shipped.**  
**NOTE: Buying after-market products from a 3rd party will result in voided warranty.**

**Frame:** The frame is warranted for defects in material and workmanship for as long as the original purchaser owns the Product. The frame is warranted for labor and freight (for parts shipped from TRUE) for one year from date of purchase. \* This limited warranty on structural frame does not include paint or coatings.

**Parts:** The Force Strength Line's mechanical parts are warranted for defects in material and workmanship for five years with one year labor warranty. Cables and belts are warranted for defects in material and workmanship for one year with one year labor warranty. This limited warranty does not cover damage or equipment failure resulting from or caused by improper assembly/installation, failure to follow instructions and warnings in owner's manual, accident, misuse, abuse, unauthorized modification, or failure to provide reasonable and necessary maintenance.

**Cosmetics:** The Force Strength Line cosmetic parts, coatings, grips and upholstery are warranted for defects in material and workmanship for six months with labor warranty to match the parts warranty period. This limited warranty does not cover damage or equipment failure resulting from or caused by improper assembly/installation, failure to follow instructions and warnings in owner's manual, accident, misuse, abuse, unauthorized modification, or failure to provide reasonable and necessary maintenance. This limited warranty will apply to but may not be limited to plastic covers, shrouds, caps, badges, overlays, paint, coatings, soft step inserts and grips.

**Labor:** Labor is covered for a period of one year from the date of purchase unless otherwise expressed within this limited warranty as long as a TRUE authorized service provider performs the service. Service that requires over 50 miles of travel may be subject to additional charges. Reasonable and necessary maintenance guidelines can be found in the owner's manual.

**Claims Procedure:** TRUE Limited Warranty service may be obtained by contacting the authorized TRUE dealer from whom the Product was purchased. If the dealer from whom the Product was purchased is no longer an authorized TRUE dealer, then TRUE Limited Warranty service may be obtained by contacting TRUE directly at:

TRUE Fitness, Service Department  
865 Hoff Road, St. Louis, MO 63366  
1.800.883.8783  
Hours of operation 8:30am - 5:00 pm CST

# CHAPTER 6: ADDITIONAL INFORMATION



## COMMERCIAL LIMITED WARRANTY FORCE STRENGTH LINE

Save Time and Register Online!  
Activate Multiple Warranties at [truefitness.com](http://truefitness.com)

The above Limited Warranty is subject to and will be in accordance with the conditions set forth below:

1. This Limited Warranty can be processed only if the Warranty Registration Form is completed on-line; or if the attached form is filled in, signed by the original purchaser and mailed to TRUE within 30 days of purchaser's receipt of this Product. The serial number must be intact on the Product for this Limited Warranty to be valid.
2. This Limited Warranty applies to the product only while the Product remains in the possession of the original purchaser and is not transferable.
3. This Limited Warranty becomes VALID ONLY if the Product is initially assembled/installed by a TRUE authorized dealer/ technician (if anyone other than a TRUE authorized dealer/ technician initially assembles and installs the Product, this Limited Warranty will be void unless the written authorization of TRUE is first obtained).
4. This Limited Warranty does not cover damage or equipment failure resulting from or caused by improper assembly/ installation, failure to follow instructions and warnings in owner's manual, accident, misuse, abuse, unauthorized modification, or failure to provide reasonable and necessary maintenance (as referenced in the owner's manual.)
5. This Limited Warranty applies only to the cost of repair or replacement of parts and does not include labor (beyond the above warranty period), transportation, service, return and freight charges associated there with expressly specified herein.
6. This Limited Warranty shall not apply to: Service calls to correct installation of the equipment or instruction to owners on how to use the equipment; or any labor costs incurred beyond the applicable labor warranty period.
7. This Limited Warranty is in lieu of all warranties, express or implied, and in lieu of all other obligations or liabilities on the part of TRUE, under no circumstances shall TRUE be liable by virtue of this Limited Warranty or otherwise from damage to any person or property whatsoever for any special, indirect, incidental, secondary or consequential losses, damages or expenses in connection with exercise products. Any implied warranty is limited in duration to the time period covered by the Limited Warranty. Some states do not allow limitations on how long an implied warranty lasts, or the exclusion may not apply to you. This Limited Warranty grants you specific legal rights and you may also have other rights, which vary from state to state.

**NOTE TO AUTHORIZED WARRANTY LABOR PROVIDERS:**  
Warranty labor reimbursement or warranty parts rights may not be transferred to, reassigned to, a third party without the express written consent of TRUE. Even jobbing out warranty labor requires TRUE's written approval.

**FORCE STRENGTH LINE SERIAL NUMBER:**

The Force Strength Line comes with one serial number on the base of the machine. Please write down your serial number below and keep for your records.

**SERIAL NUMBER:**

**SAMPLE SERIAL NUMBER STICKER:**



Keep this page for your records

# CHAPTER 6: ADDITIONAL INFORMATION



## COMMERCIAL LIMITED WARRANTY FORCE STRENGTH LINE

Thank you for purchasing a TRUE product. To validate the TRUE product warranty the fast and easy way, please go on-line now to [truefitness.com/support](http://truefitness.com/support) and register your product. The information you provide will never be distributed to any other individuals or agencies for any purpose. If you prefer to mail your warranty card, have the owner of the product complete the information below and return it to TRUE Fitness within 30 days from the date of equipment installation.

To mail your warranty information, please fill in the information below and mail to: Service Dept., TRUE Fitness, 865 Hoff Road, St. Louis, MO 63366 (or save postage and register online at [truefitness.com](http://truefitness.com))



### Commercial Warranty Registration

**PLEASE PROVIDE YOUR SERIAL NUMBER BELOW.  
REQUIRED FOR WARRANTY REGISTRATION:**

**SERIAL NUMBER:**

Model Type \_\_\_\_\_

Date of Purchase \_\_\_\_\_

Your Company Name \_\_\_\_\_

Contact First Name \_\_\_\_\_

Contact Last Name \_\_\_\_\_

Address \_\_\_\_\_

City \_\_\_\_\_ State \_\_\_\_\_ ZIP \_\_\_\_\_

Email Address \_\_\_\_\_ Website \_\_\_\_\_

Phone \_\_\_\_\_ Fax \_\_\_\_\_

1. Where did you first learn about TRUE?

- a. Dealer                       b. Website  
 c. Advertisement         d. Referral  
 e. Current Customer       f. Other \_\_\_\_\_

2. Why did you purchase a TRUE product?

- a. Design/Appearance     b. Dealer Suggestion  
 c. Price/Value               d. Quality Construction  
 e. Performance             f. TRUE Reputation  
 g. Other \_\_\_\_\_

3. Please indicate your type of facility:

- a. Apartment/Condo       b. Corporate Fitness Center  
 c. Municipality             d. Health Club/Gym/Spa  
 e. Hotel/Resort             f. Military Base  
 g. Student Rec Center     h. Other

4. What other types of equipment does your company currently own?

- a. Treadmill                      Brand \_\_\_\_\_  
 b. Bike                              Brand \_\_\_\_\_  
 c. Elliptical                      Brand \_\_\_\_\_  
 d. Free Weights/Gym        Brand \_\_\_\_\_

5. How many people use your facility on a daily basis?

- a. <25                               b. 25-75  
 c. 76-150                           d. 150+

6. Do you plan to purchase more fitness equipment in the next 6-12 months?

- Yes     No

7. If you answered "yes" to question 6, what type do you plan to purchase?

- a. Treadmill                       b. Elliptical  
 c. Stationary Bike               d. Free Weights  
 e. Gym                               f. Other \_\_\_\_\_

8. Would you recommend TRUE to other club owners?

- Yes     No

9. You are a valued TRUE customer and your suggestions allow us to continually improve your experience. Is there anything else you would like us to know? Please explain: