



FS-55 PEC FLY/REAR DELT ASSEMBLY MANUAL

Model: FS55
Rev: 030620

A MESSAGE TO OUR CUSTOMERS

Frank Trulaske began TRUE Fitness® over thirty-five year ago with the simple philosophy of delivering superior fitness products, service, and support. Today, TRUE is the global leader in premium fitness equipment for the commercial and residential markets. Our goal is to be the leader in technology, innovation, performance, safety and style. TRUE has received many awards for its product over the years and remains the benchmark for the industry. Fitness facilities and consumers invest in TRUE products for their durable commercial platforms used in all its products, both commercial and residential alike.

The proud manufacturing tradition of quality and the culture of innovation at TRUE have given rise to a full line of extraordinary cardio and strength equipment. As a result, people all over the world are benefiting from the TRUE experience. Innovation across the full product line has made TRUE successful and is a trademark of the TRUE heritage. TRUE's patented Heart Rate Control technology is just one of the remarkable ways we deliver simple and superior performance every user can enjoy, and most importantly, use to achieve personal health and fitness goals.

At the heart of our success is the relentless and systematic life testing of both our products and their components. We have dedicated employees who understand our philosophy is to deliver the best products in the world.

Our goal is to deliver the world's best premium equipment for our customers' health and fitness solutions.

TABLE OF CONTENTS

SAFETY..... 4

GENERAL CARE AND MAINTENANCE..... 7

DIMENSIONS AND WEIGHT..... 8

PREPARATION..... 9

BOX 1 CARTON CONTENTS..... 10

BOX 2 CARTON CONTENTS..... 11

INSTALLATION & ASSEMBLY

STEP 1: ASSEMBLE THE MAIN FRAME..... 12

STEP 2: ASSEMBLE THE ARM..... 14

STEP 3: ASSEMBLE THE SEAT & BACK PAD..... 16

STEP 4: ASSEMBLE THE WEIGHT STACK..... 17

STEP 5: INSTALL THE CABLE..... 18

STEP 6: INSTALL THE FRONT SHROUD..... 20

STEP 7: INSTALL THE REAR SHROUD & TOP CAP..... 21

STEP 8: INSTALL THE WEIGHT STACK LABEL..... 22

MACHINE LABELS..... 23

SERVICE..... 24

BOLTING THE MACHINE TO THE FLOOR..... 25

WARRANTY..... 26

SAFETY



FACILITY AND USER SAFETY PRECAUTIONS

1. Review and understand all of the warning labels affixed to this machine and on the facility safety sign.
2. Be certain that the machine operation is understood before it is used. Refer to the instructional Procedure Label affixed to the machine.
3. Make sure all users are properly trained on how to use this equipment. If this machine is being used in a commercial setting, end users may not have access to this Owners Manual. It is the responsibility of the facility to instruct users as to the proper usage of the equipment as well as making them aware of potential hazards.
4. Use each machine only for the intended exercise. Do not allow anyone to invent exercises not included on the Instructional Procedure Label or the Intended Use Label.
5. Do not modify the machine.
6. This equipment meets industry safety standards for stability when used for the intended exercise. Do not allow straps, resistance bands or other means to be attached to the framework of this machine to perform stretching or body weight exercises. This can result in machine instability and lead to serious crushing injuries.
7. Keep children away from this equipment. Adults should closely supervise use by teenagers.
8. It is recommended that users receive a thorough medical exam before commencing an exercise program. All medical issues should be reviewed to ensure that weight training will not aggravate pre-existing medical conditions.
9. If the machine appears damaged or inoperable, contact a facility staff member to place an “OUT OF ORDER, DO NOT USE” sign on the machine until it is repaired. Only use TRUE supplied replacement components to service this machine.
10. Instruct users not to wear loose or dangling clothes or have headphone wires hanging when using this equipment.
11. Do not attempt to free any jammed assemblies by yourself as this may cause injury.
12. On Plate Loaded and Free Weight machines:
 - 12a. Use of spotter(s). Instruct users to seek the advice of the facility staff as to the appropriate use of spotters when lifting. More than one spotter may be required depending upon the amount of weight being lifted.
 - 12b. Instruct users to load weight plates evenly and carefully (one side and then the other) to avoid tipping equipment and crushing injuries.
 - 12c. If the machine is equipped with safety stops or catches, inspect them and verify their proper operation before use and make sure they are securely in place before using or exiting the machine. Be certain members are instructed on how to operate and adjust all safety mechanisms.

- 12d. This equipment is designed for standard olympic size weight plates with a 50mm bore (1.9").
- 12e. Do not exceed the maximum weight capacity of the machine. Maximum plate size is 45 lbs. (25 kg.).
13. On Selectorized and Cable equipped machines:
- 13a. Do not allow users to perform any exercise by holding the end of the cable and/or the cable end fitting. Use only appropriate handles or attachments properly connected to the cable end.
- 13b. Do not high-pin or double-pin the weight stack. Do not allow the machine to be used if the top plate or weight stack is pinned in a raised position. Use an assistant and carefully return the machine to the proper position with the cap plate resting on the top weight. Inspect the entire length of the cable to ensure that it is properly seated in all of the pulley grooves.
- 13c. Do not allow the use of weight plates or dumbbells to be used as a means to add additional weight to the weight stacks. Use only the TRUE adder weight system specifically designed for the machine.



INSTALLATION SAFETY PRECAUTIONS

1. Read this Installation Manual entirely before assembling this equipment.
2. Verify that there is adequate space surrounding this piece of equipment for safe access and operation. Installation must meet ADA requirements for accessibility.
3. Install this piece of equipment on a solid level surface that does not deviate more than 1/8" over a 10' distance (or as defined and required by local building and architectural codes.
4. TRUE strongly recommends that all equipment be anchored to the floor to prevent movement and increase stability.
 - Due to the wide variation of flooring on which the unit can be installed, contact a qualified contractor to determine an appropriate fastening system for your floor.
 - Use 3/8" diameter hardware (10 mm) to anchor the machine. Anchors should have a minimum pull out force of 220 lbs (110 kgs) for each position.
 - When attaching the machine to the floor, if there is a gap between the machine foot and the floor, do not use the anchor to remove the gap as this can cause the machine frame to deform. Instead, place a shim between the bottom of the foot and the floor, then tighten the anchor.
 - Anchoring holes are provided on the feet of the frame. All anchoring locations must be used when anchoring the equipment to the floor.
5. DO NOT install any fitness equipment near a pool, hot tub or other damp locations. Corrosion caused by installation in these locations can lead to premature failure of components.
6. Be sure all hardware is tight before using this machine.

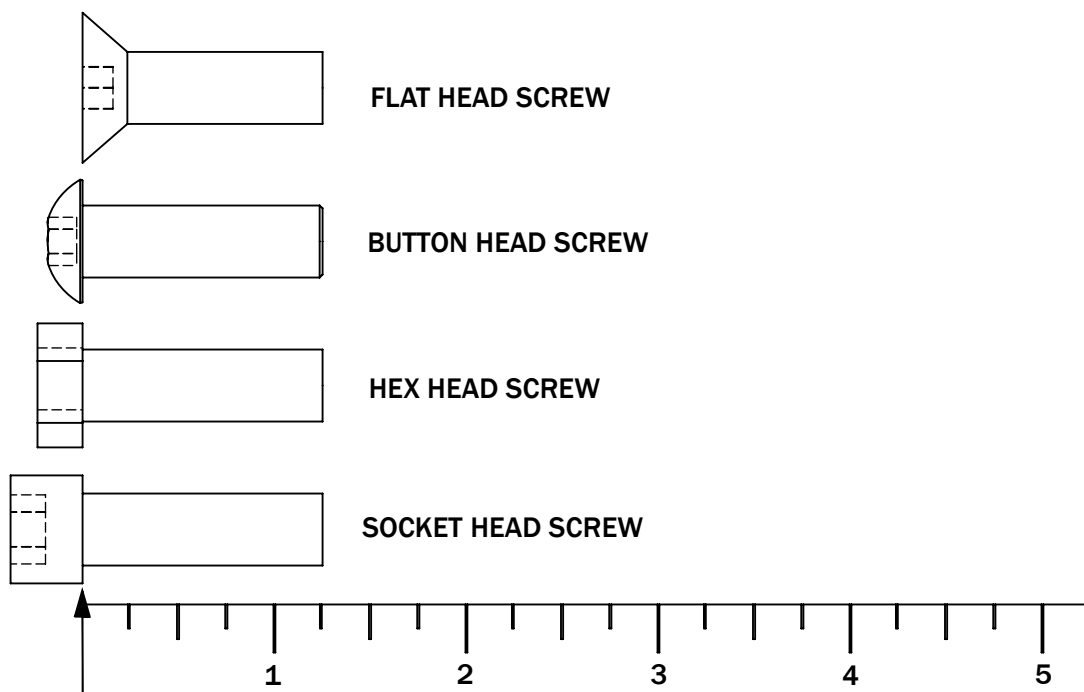
SAFETY



MAINTENANCE SAFETY PRECAUTIONS

1. Refer to Maintenance Schedule label on the machine as well as this manual for when to perform maintenance.
2. Check the function of your machine DAILY by verifying the following:
 - Inspect cables and end fittings for any signs of wear. Replace if worn, frayed or damaged with original TRUE replacement components.
 - Verify that all adjustments are possible and carried out with ease. Make sure that each adjustment pin inserts completely into each position without binding.
 - Verify that safety catches and stops are in proper working order and engaged.
 - Verify that the exercise is performed smoothly, free of noise and/or binding.
 - If equipped with a weight stack, verify that the proper weight selector pin is in place.
3. Check the function of your machine WEEKLY by verifying the following:
 - **Nuts, Bolts, and Fasteners:** Check tightness weekly. If any hardware has become loose, retighten and/or use Loctite™ Threadlocker 242.
 - **Frames and Lifting Arms:** Inspect weekly for integrity and function. Replace any component at first signs of wear. Use only TRUE supplied components.
4. Replace any warning label at first sign of wear. Labels and the Facility Safety Sign may be obtained from TRUE free of charge.

BOLT LENGTH MEASURING GUIDE



GENERAL CARE AND MAINTENANCE



IMPORTANT

Preventative maintenance is crucial to maintaining the function and safety of this equipment. Your facility must establish written guidelines for preventative maintenance and keep written or online records of the maintenance performed on these products. As a minimum, the items presented in the SAFETY section of this document and the items that follow here, should be included in your maintenance program.

1. **Cables:** Inspect end fittings daily for wear. Inspect the entire length of the cable weekly. Replace cables at the first sign of wear and on an annual basis. If the cable tension has been adjusted, be certain that the cable nut is tight.
2. **Nuts, Bolts, and Fasteners:** Check tightness weekly. If any hardware has become loose, retighten and/or use Loctite™ brand Threadlocker 242. Be sure all hardware is tight before using the machine.
3. **Safety Catches:** Inspect catches, stop rods and their associated fasteners weekly. Tighten any loose hardware and replace any components at first signs of wear.
4. **Frames:** Wipe all machines down with a damp cloth and dry completely each day. This includes painted parts, chrome parts and upholstered pads.
5. **Painted and chrome plated parts:** Use Simple Green or similar cleaner for light dirt and grime. Use Turtle Wax Polishing Compound or a good car polish to remove heavier dirt and grease as well as for polishing. DO NOT use solvents, lacquer thinner, acetone or finger nail polish remover. For scuffs and marks that are not removed by the above methods use a soft scrub cleanser. Make sure all parts are dry upon completion.
6. **Weight stack enclosures (shrouds):** Wipe down with a damp cloth as needed.
7. **Exercise instruction labels:** Clean with soap and water as needed.
8. **Guide rods:** Wipe all dirt and dust from the guide rods before applying a light application of Tri-Flow™ or other teflon spray lubricant. Spray the Tri-Flow™ on a rag and then wipe the guide rods with the rag. DO NOT use oil lubricants such as WD-40. Caution: Tri-Flow™ will stain carpet and clothing.
9. **Bronze bushings:** Check monthly for signs of wear and replace as needed.
10. **Linear Bearing Shafts:** Wipe any accumulation of dust or other contaminants from the shafts on a weekly basis. Apply a thin layer of a Teflon® (PTFE) grease on a weekly basis. TRUE recommends Magnalube® brand.
11. **When replacing any component, use only TRUE supplied parts.**
12. **Please refer to the General Maintenance Manual (part number: AM-GMM) for other important safety and maintenance information.**
13. **Be sure all hardware is tight before using the machine.**

Retain these instructions for future reference.

If you have any questions, do not hesitate to contact your TRUE dealer or TRUE Fitness at (800) 883-8783 or service@truefitness.com.

DIMENSIONS AND WEIGHT

“IN USE” MACHINE DIMENSIONS



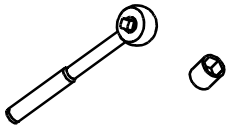
MACHINE WEIGHT AND FLOOR LOADING

<u>WEIGHT STACK CONFIGURATION</u>	<u>MACHINE WEIGHT</u>	<u>APPROXIMATE FLOOR LOADING</u>
170 lbs.	426 LBS [194 KG]	45 LBS/FT ² [220 KG/M ²]
250 lbs.	506 LBS [230 KG]	53 LBS/FT ² [261 KG/M ²]

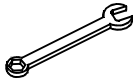
Maximum user weight is 300 Lbs. (136 KG.)

PREPARATION

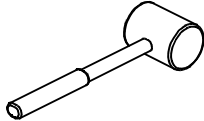
REQUIRED TOOLS



Ratchet Wrench and Socket:
9/16"



Wrenches: 9/16", 3/4"
(or an adjustable crescent wrench).



Rubber mallet.

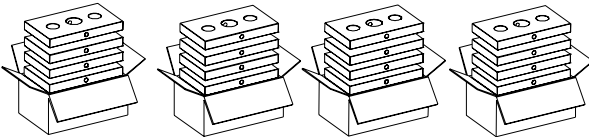


Allen wrenches: *(included with the machine)*

Weight Plate Cartons

Depending upon your order, this machine can be assembled with either a 170 lb. or 250 lb. weight stack. For a 170 lb. weight stack, (4) cartons of 10 lb. plates are required. For a 250 lb. weight stack, (4) cartons of 15 lb. plates are required.

See below for weight stack options/requirements:

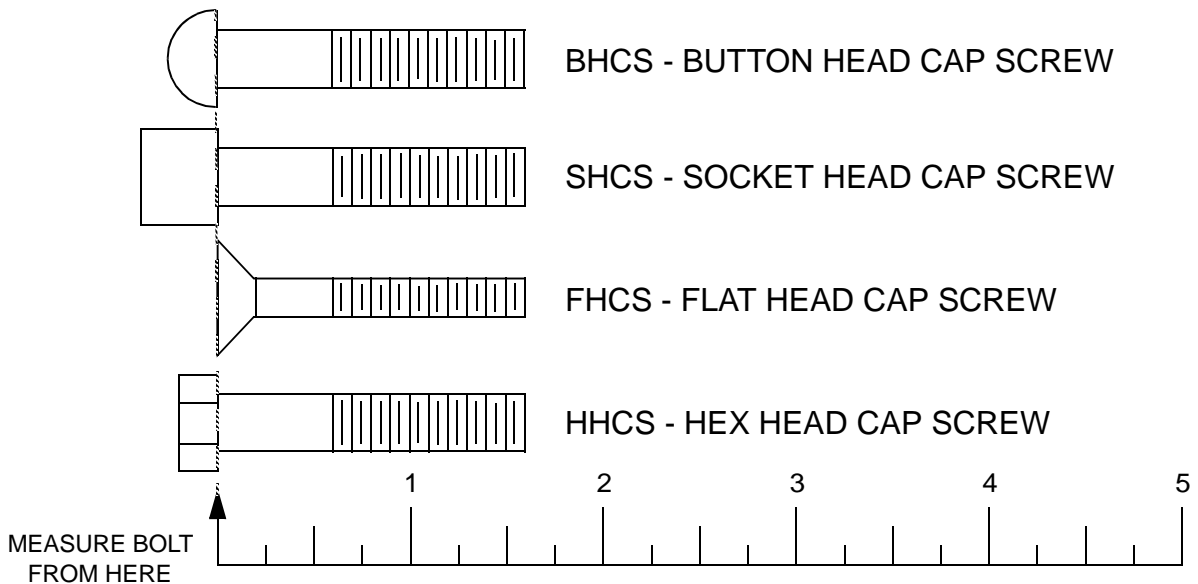


10 LB. Weight Plate Box
Part Number: B1602
Comprised of
(4) x 10 lb. Weight Plates

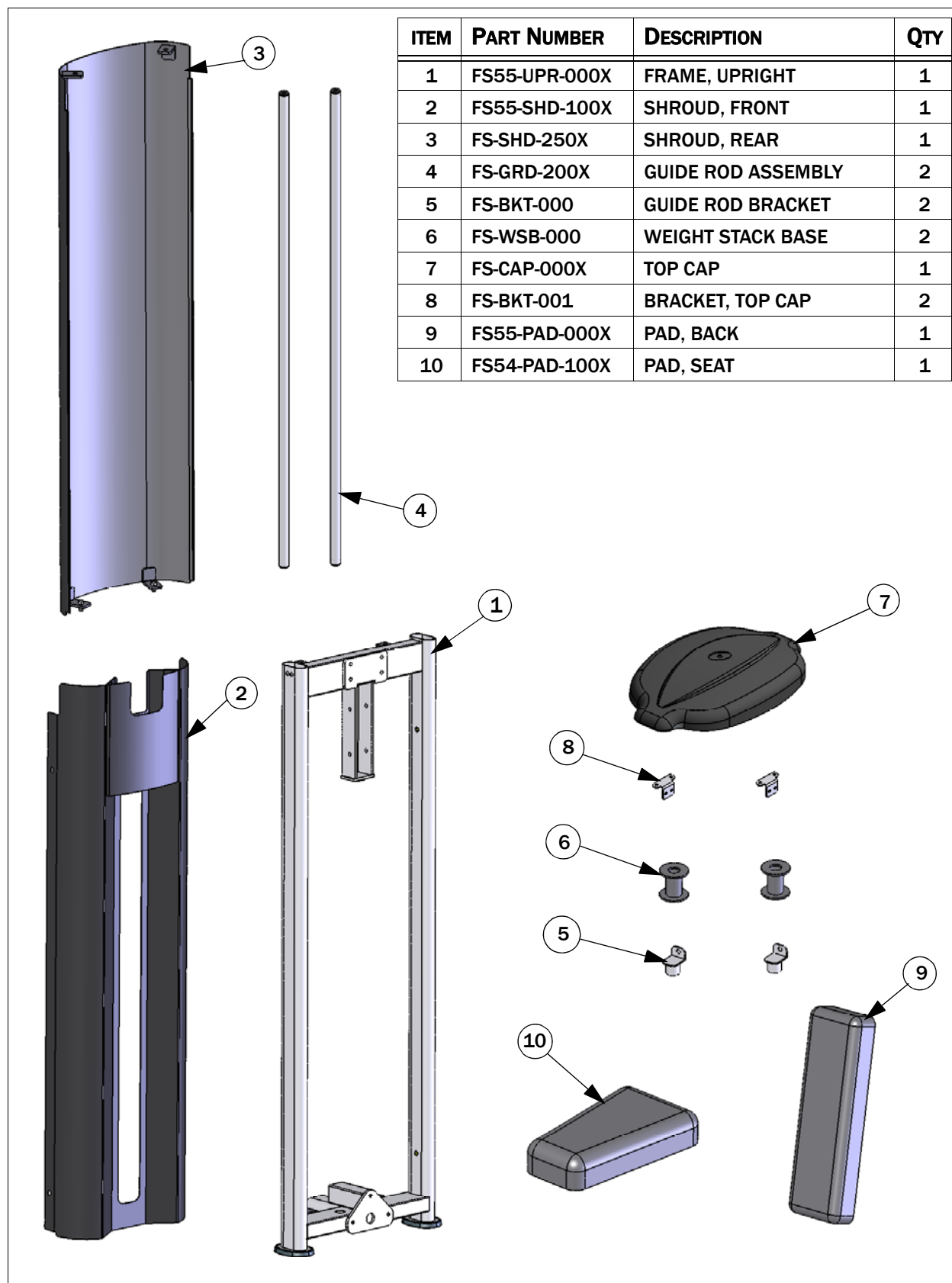
OR

15 LB. Weight Plate Box
Part Number: B1603
Comprised of
(4) x 15lb. Weight Plates

Hardware Measurement Guide:



Box 1 CARTON CONTENTS



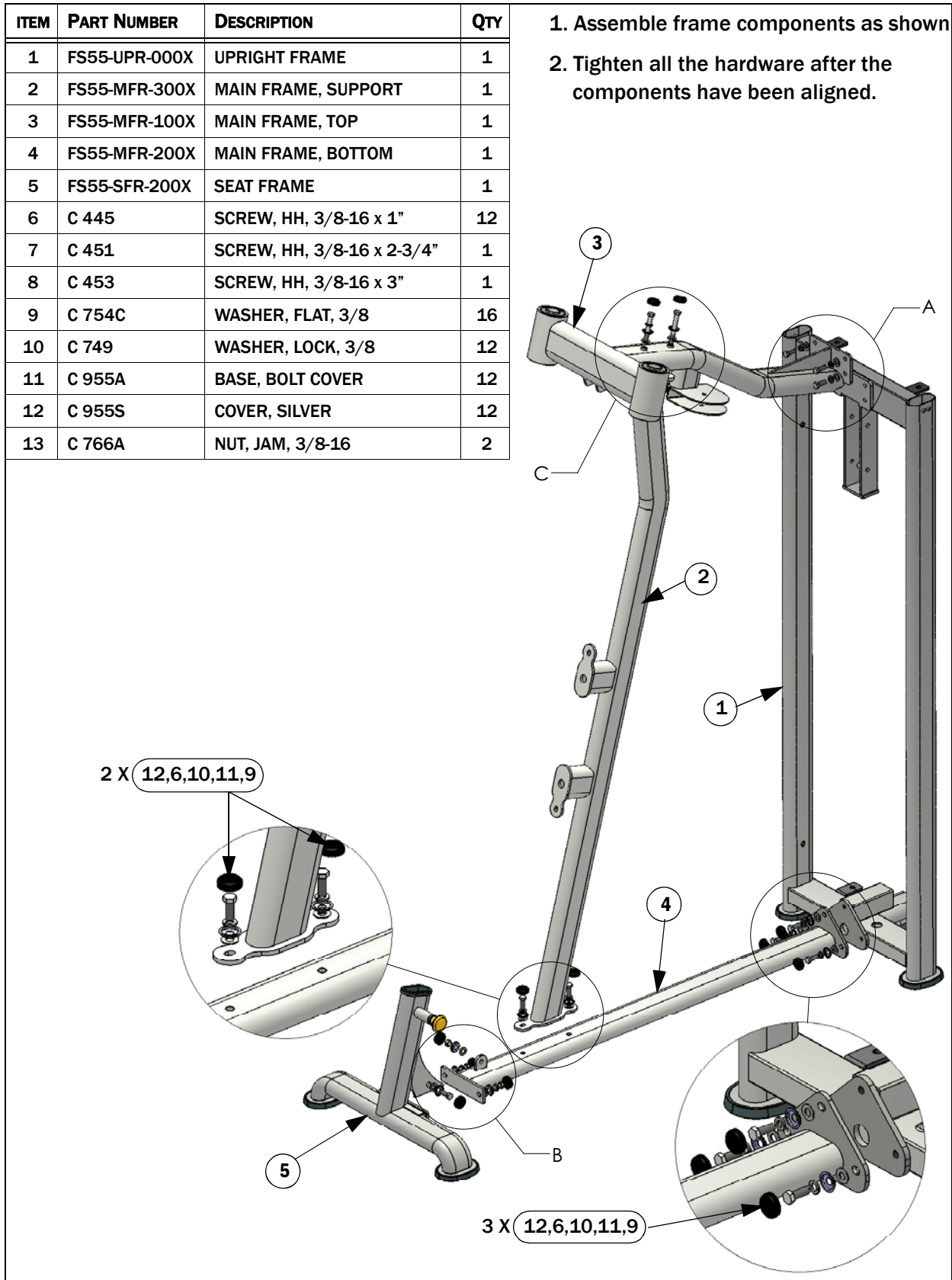
Box 2 CARTON CONTENTS

ITEM	PART NUMBER	DESCRIPTION	QTY
1	FS55-MFR-300X	MAIN FRAME, SUPPORT	1
2	FS55-SFR-200X	SEAT FRAME	1
3	FS55-MFR-200X	MAIN FRAME, BOTTOM	1
4	FS55-SFR-100X	SEAT FRAME, SEAT	1
5	FS55-AXL-100X	AXLE, PIVOT	2
6	FS55-ARM-400X	RIGHT ARM	1
7	FS55-ARM-100X	LEFT ARM	1
8	FS55-MFR-100X	MAIN FRAME, TOP	1
9	FS55-AXL-200X	CAM, RIGHT ARM	1
10	FS55-AXL-300X	CAM, LEFT ARM	1
11	FS55-PHS-000X	FLOATING PULLEY SET	1
12	FS-SBR-000X	TOP PLATE/SELECTOR BAR	1
13	FS55-CBL-100X	CABLE	1
14	FS55-HWR-000X	HARDWARE BOX	2
15	FS55-AXL-009	END CAP, AXLE	2
16	FS55-UPR-022	PULLEY PROTECTOR	1

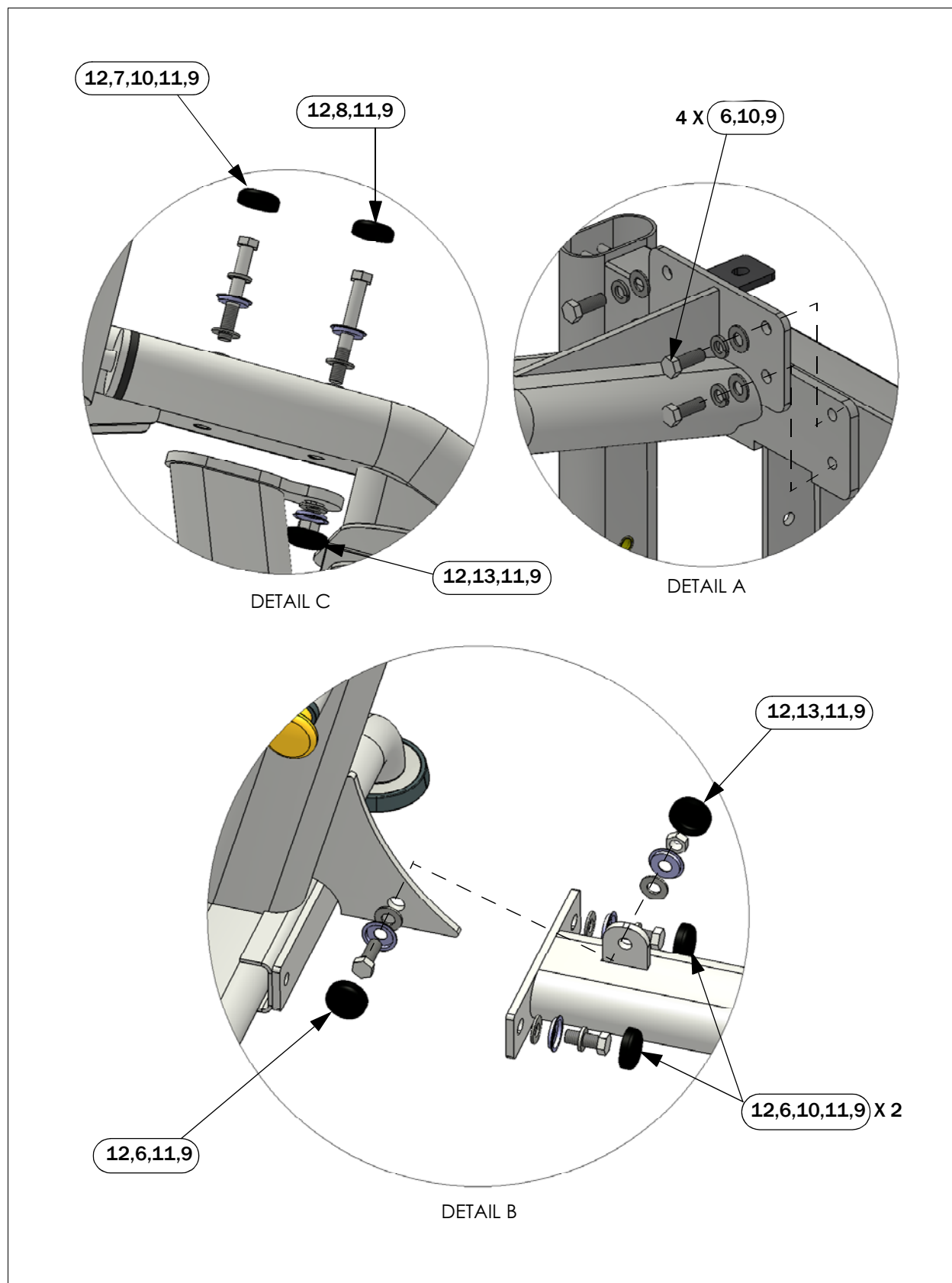
STEP 1: ASSEMBLE THE MAIN FRAME

ITEM	PART NUMBER	DESCRIPTION	QTY
1	FS55-UPR-000X	UPRIGHT FRAME	1
2	FS55-MFR-300X	MAIN FRAME, SUPPORT	1
3	FS55-MFR-100X	MAIN FRAME, TOP	1
4	FS55-MFR-200X	MAIN FRAME, BOTTOM	1
5	FS55-SFR-200X	SEAT FRAME	1
6	C 445	SCREW, HH, 3/8-16 x 1"	12
7	C 451	SCREW, HH, 3/8-16 x 2-3/4"	1
8	C 453	SCREW, HH, 3/8-16 x 3"	1
9	C 754C	WASHER, FLAT, 3/8	16
10	C 749	WASHER, LOCK, 3/8	12
11	C 955A	BASE, BOLT COVER	12
12	C 955S	COVER, SILVER	12
13	C 766A	NUT, JAM, 3/8-16	2

1. Assemble frame components as shown
2. Tighten all the hardware after the components have been aligned.



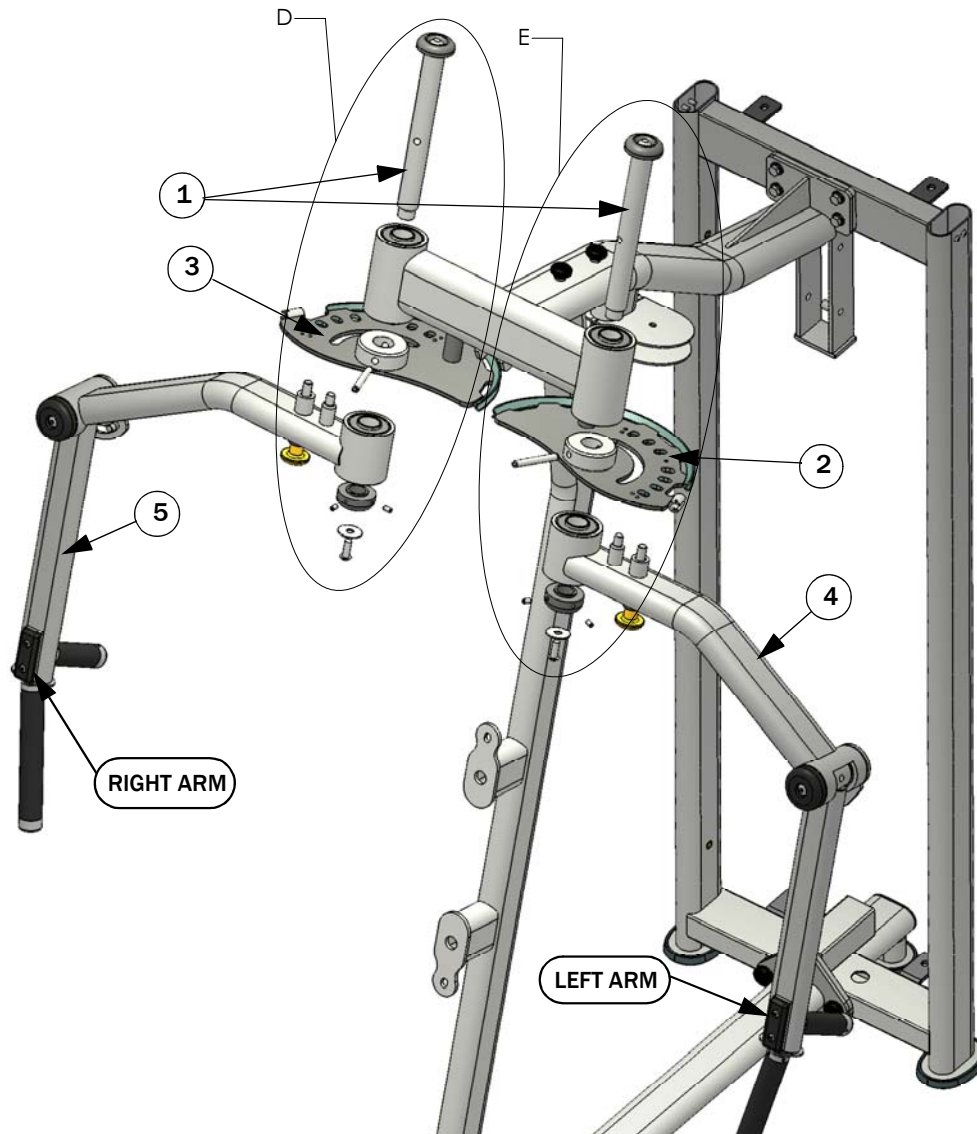
STEP 1: ASSEMBLE THE MAIN FRAME



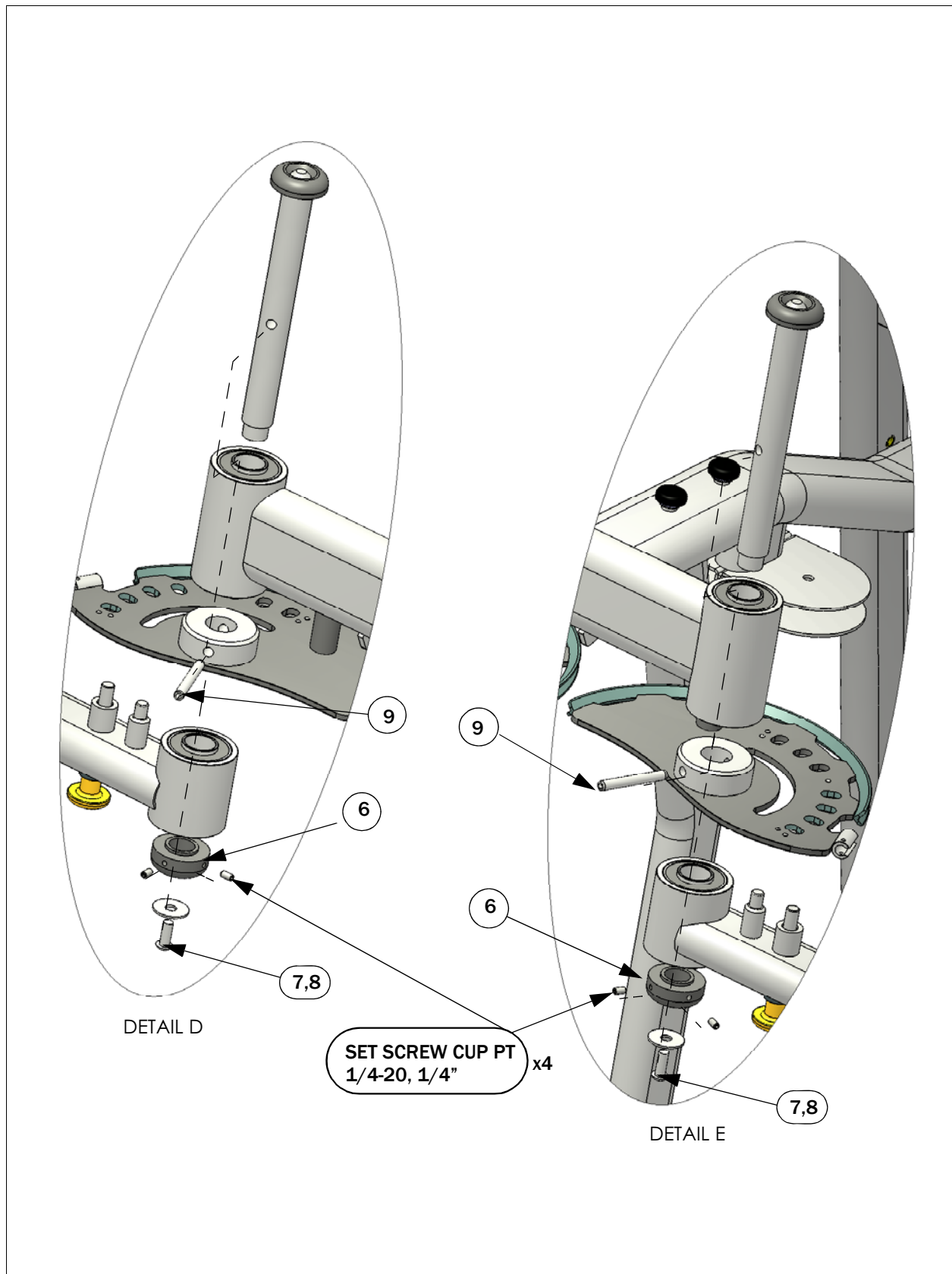
STEP 2: ASSEMBLE THE ARM

ITEM	PART NUMBER	DESCRIPTION	QTY
1	FS55-AXL-100X	AXLE, PIVOT	2
2	FS55-AXL-300X	CAM, LEFT ARM	1
3	FS55-AXL-200X	CAM, RIGHT ARM	1
4	FS55-ARM-100X	LEFT ARM	1
5	FS55-ARM-400X	RIGHT ARM	1
6	FS55-AXL-009	END CAP, AXLE	2
7	C 678	SCREW, BH, 3/8-16-1"	2
8	C 755	WASHER, FLAT, 3/8" LARGE OD	2
9	D873M	SPRING PIN, 10mmOD, 65mm L	2

1. Insert the axle from the top of the main frame and install the cam onto the axle. Align the holes on the cam and the axle and install the spring roll pin.
2. Slide the arm onto the axle as shown below, and use the axle end cap to lock the arm in place.
3. Tighten all hardware as shown in DETAIL VIEW D & E.



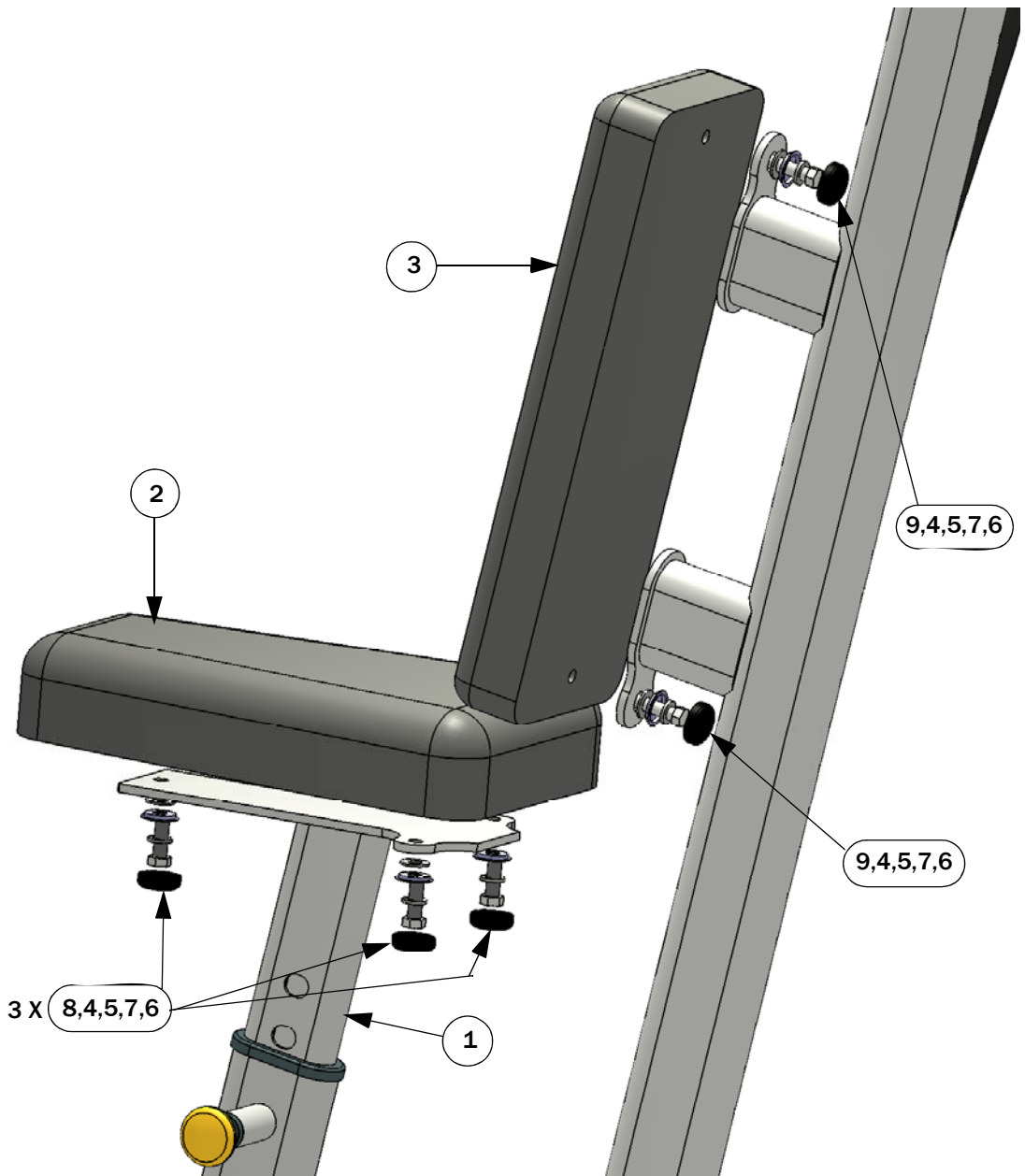
STEP 2: ASSEMBLE THE ARM



STEP 3: ASSEMBLE THE SEAT & BACK PAD

ITEM	PART NUMBER	DESCRIPTION	QTY
1	FS55-SFR-100X	SEAT FRAME, SEAT	1
2	FS54-PAD-100X	PAD, SEAT	1
3	FS55-PAD-000X	PAD, BACK	1
4	C-446	SCREW, HH, 3/8-16 x 1-1/4"	5
5	C 749	WASHER, LOCK, 3/8	5
6	C 754C	WASHER, FLAT 3/8	5
7	C-955A	BASE, BOLT COVER	5
8	C-955S	COVER, SILVER	5

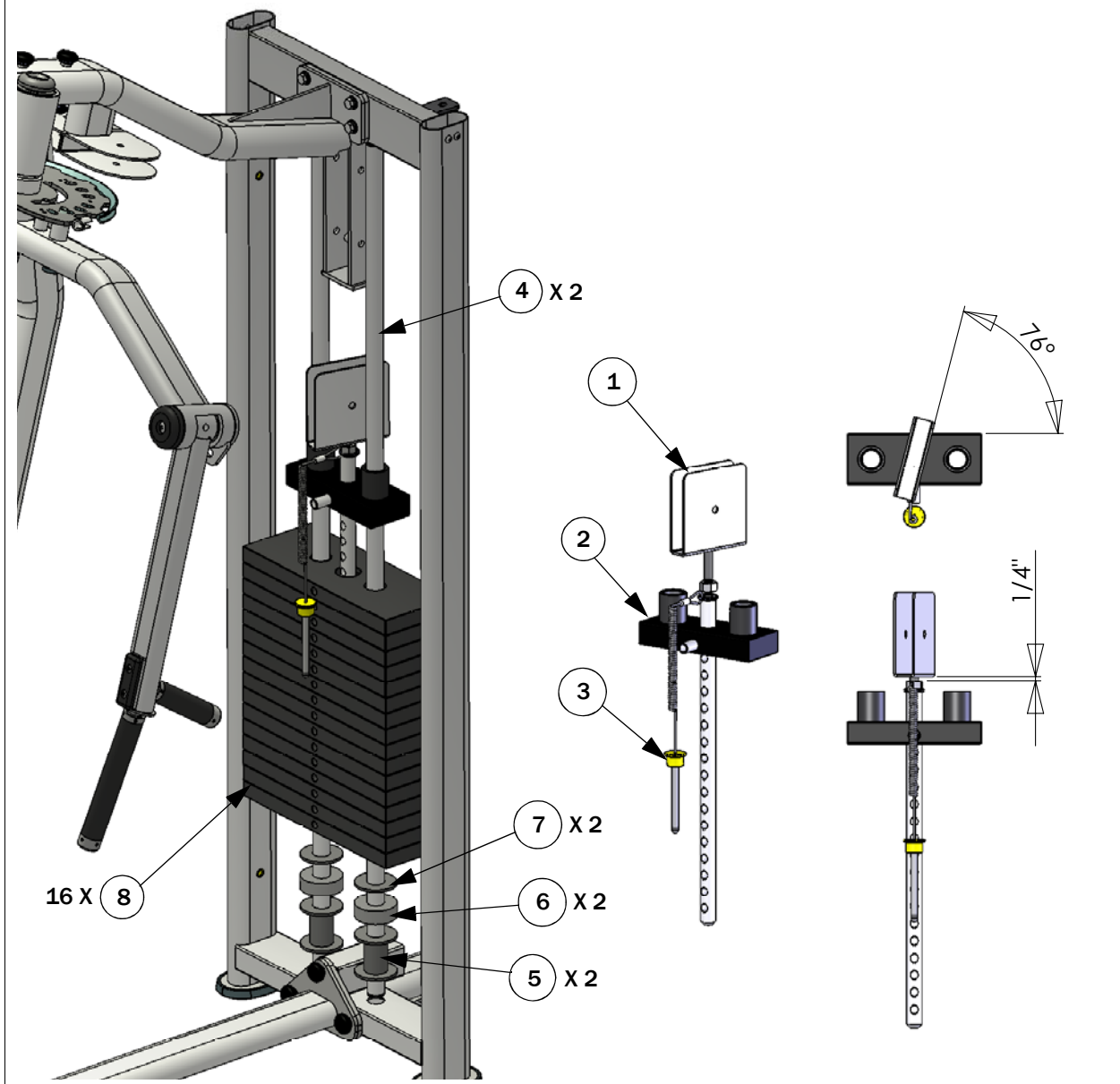
1. Install the seat pad and back pad as shown below.
2. Tighten all hardware shown below.



STEP 4: ASSEMBLE THE WEIGHT STACK

ITEM	PART NUMBER	DESCRIPTION	QTY
1	FS55-PHS-000X	FLOATING PULLEY SET	1
2	FS-SFR-000X	TOP PLATE/SELECTOR BAR	1
3	FS-SPN-000X	SELECTOR PIN	1
4	FS-GRD-200X	GUIDE ROD ASSEMBLY	2
5	FS-WSB-000	WEIGHT STACK BASE	2
6	FS-BMP-001	RUBBER BUMPER	2
7	C 757A	WASHER, FLAT, 1"ID	2
8	WHT-PLATE	WEIGHT PLATE 10LB or 15LB	16

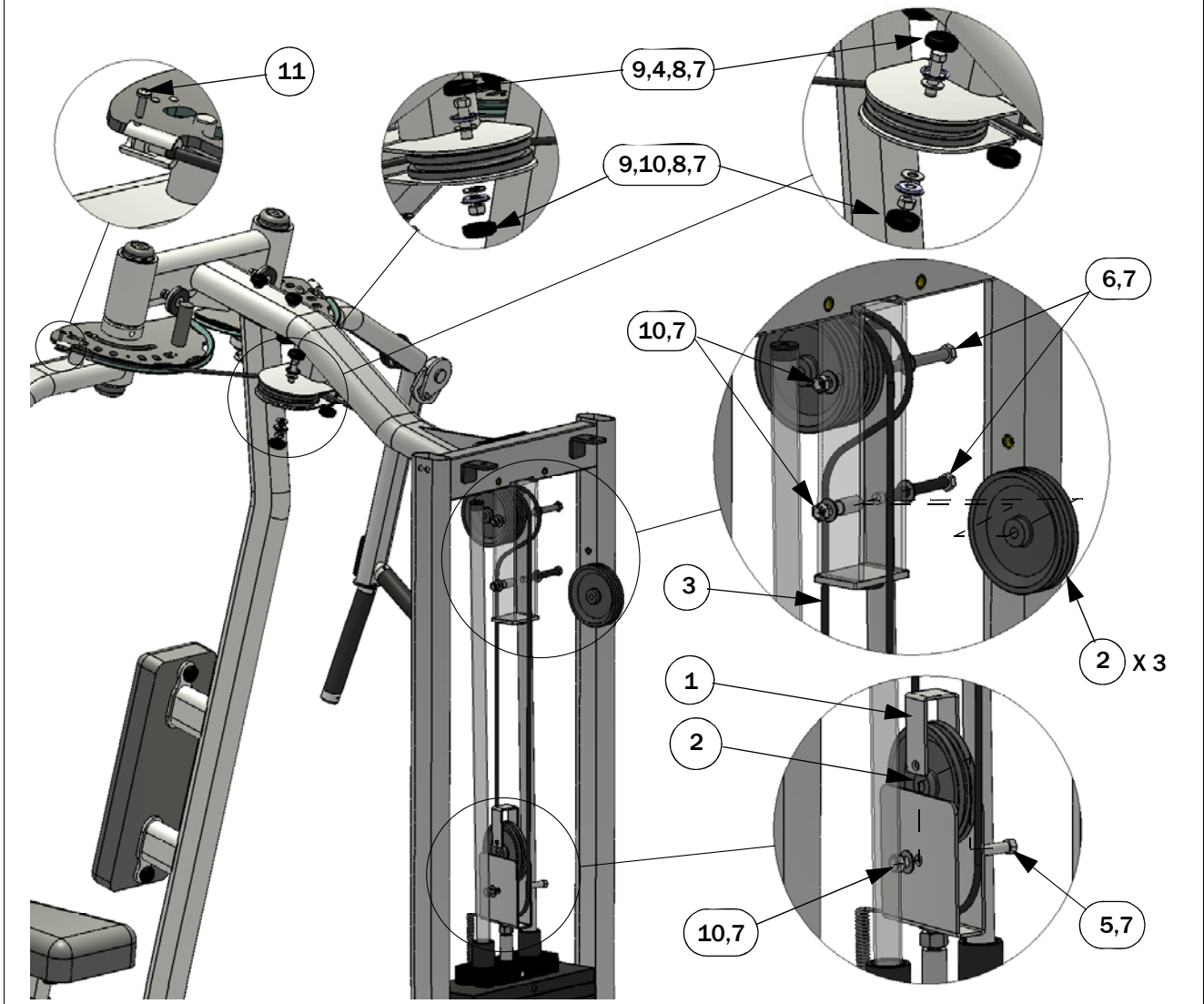
1. Install selector pin and floating pulley housing as shown. Leave about 1/4 inch spacing between the bottom of the housing to the top of the nut. Lock the housing in place with the nut as shown below.
2. Install the guide rod, weight stack base, rubber bumper, and weight plates as shown.



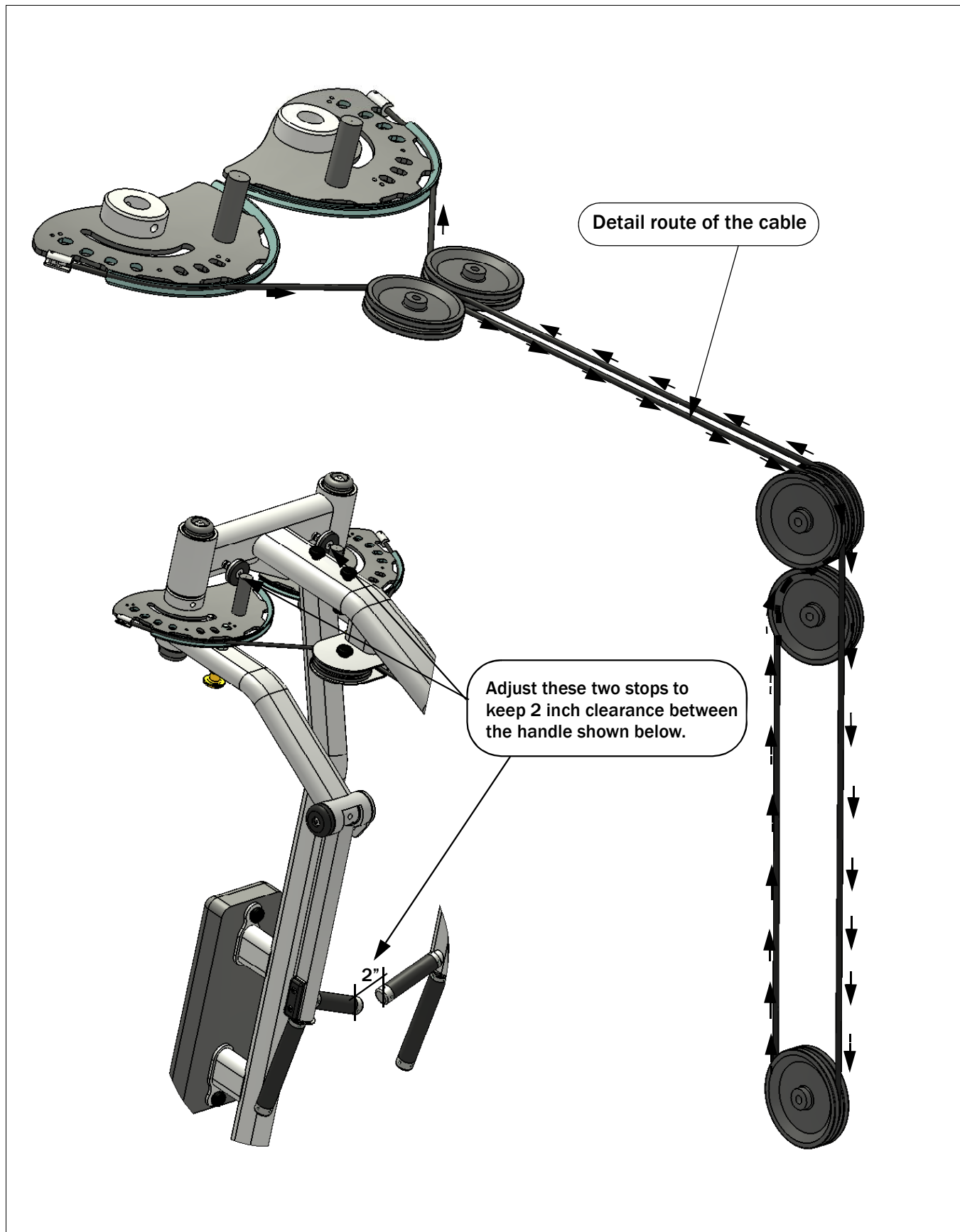
STEP 5: INSTALL THE CABLE

ITEM	PART NUMBER	DESCRIPTION	QTY
1	FS55-UPR-022	PULLEY PROTECTOR	1
2	B 900	PULLEY, 4-1/2" DIA	6
3	FS55-CBL-100X	CABLE	1
4	C 448	SCREW, HH, 3/8-16 X 1-3/4"	2
5	C 452	SCREW, HH, 3/8-16 X 2"	1
6	C 453	SCREW, HH, 3/8-16 X 3"	2
7	C 754C	WASHER, FLAT, 3/8	10
8	C 955A	BASE, BOLT COVER	4
9	C 955S	COVER, SILVER	4
10	C 766A	NUT, JAM, 3/8-16	5
11	C 904M	SCREW, M4 20mm L	2

1. Route the cable as shown on page 17.
2. Install all the pulleys as shown below. Lean the guide rods out to install the bolts inside the upright if necessary.
3. Turn both adjustable stops on the top of the machine counter clockwise to eliminate any slack on the cable.



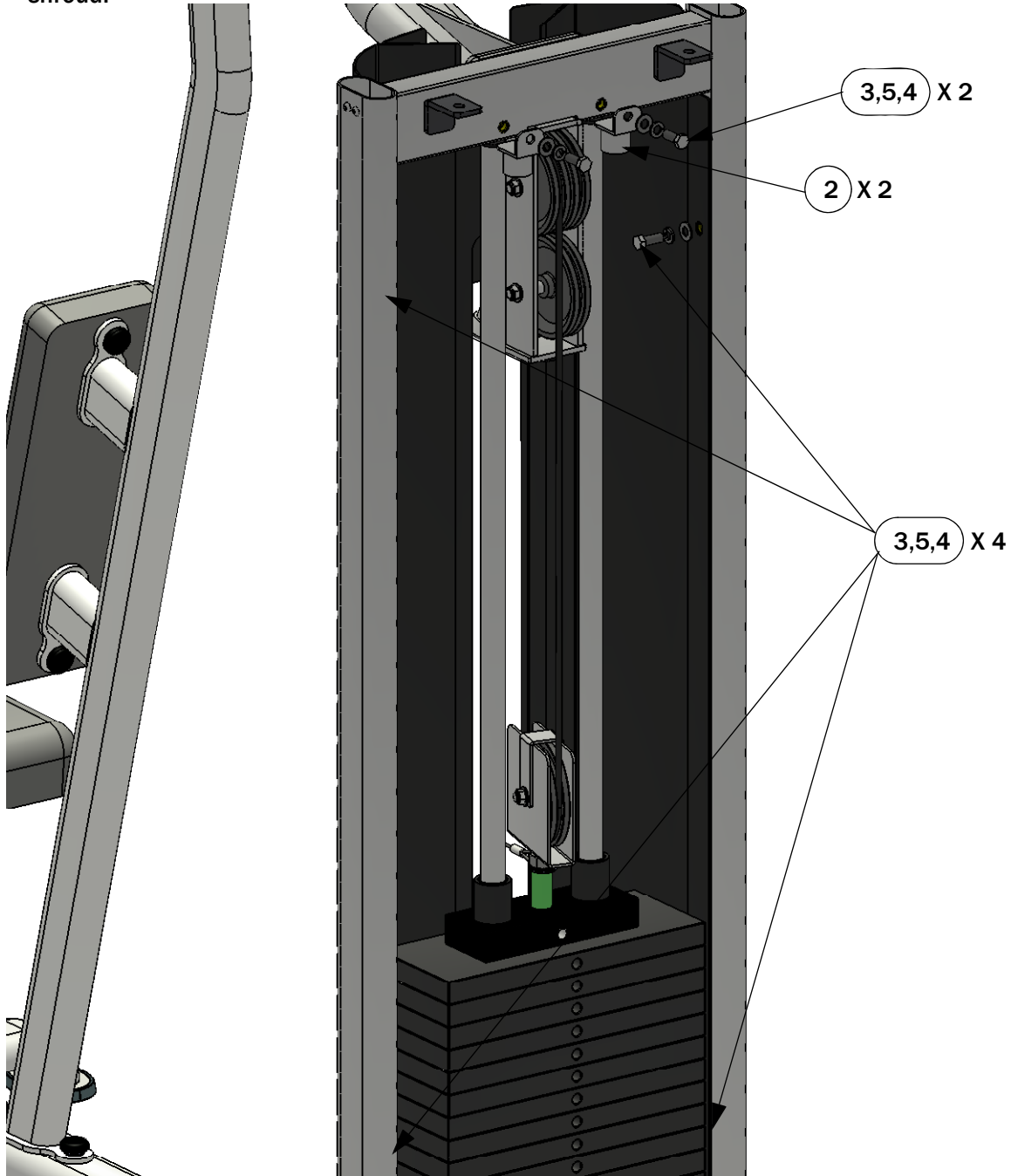
STEP 5: INSTALL THE CABLE



STEP 6: INSTALL THE FRONT SHROUD

1. Install the front shroud as shown below.
2. Secure the guide rod by installing the guide rod brackets.
3. Operate the machine and make sure that the weight stack clears the shroud.

ITEM	PART NUMBER	DESCRIPTION	QTY
1	FS55-SHD-100X	SHROUD, FRONT	1
2	FS-BKT-000	GUIDE ROD BRACKET	2
3	C 445	SCREW, HH 3/8-16, 1"	6
4	C 754C	WASHER, FLAT, 3/8	6
5	C 749	WASHER, LOCK, 3/8	6



STEP 7: INSTALL THE REAR SHROUD & TOP CAP

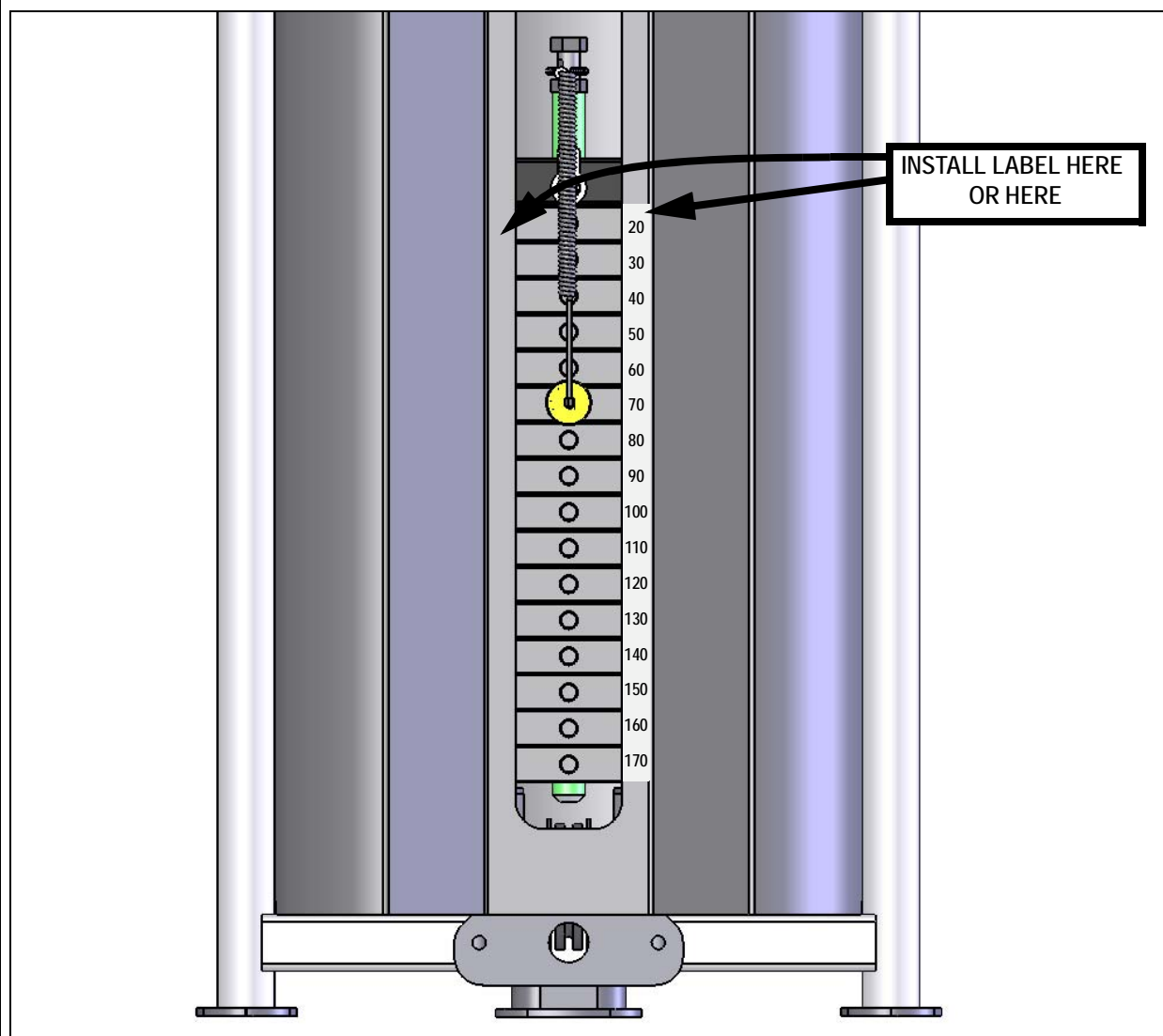
1. Assemble the rear shroud as shown.
2. Operate the machine and make sure that the weight stack clears the shroud. Adjust the position if required.
3. Install the top cap brackets as shown below and secure the top cap on the upright.

ITEM	PART NUMBER	DESCRIPTION	QTY
1	FS-SHD-250X	SHROUD, REAR	1
2	FS-CAP-000X	TOP CAP	1
3	FS-BKT-001	TOP CAP, BRACKET	2
4	C 444	SCREW, HH, 3/8-16 X 3/4"	2
5	C 754C	WASHER, FLAT, 3/8	4
6	C 766A	NUT, JAM, 3/8-16	2
7	C 675D	SCREW, BHCS 1/4-20 X 1/2"	8



STEP 8: INSTALL THE WEIGHT STACK LABEL

1. Select the appropriate weight stack label(s) according to your order. You can install pound labels, kilogram labels, or both.
2. If you ordered a 170 lb. weight stack, use labels:
LBL-WSE-01170 (for pounds)
LBL-WSM-01170 (for kilograms).
3. If you ordered a 250 lb. weight stack, use labels:
LBL-WSE-01250 (for pounds)
LBL-WSM-01250 (for kilograms).
4. Remove the backing from the label to expose the adhesive. Carefully locate the label on the shroud so that it is centered between the edge and the bend. Line up the numbers with their corresponding weight plate. Once the correct position is attained and the label is a uniform distance from the edge, press firmly along the entire length of the label.
5. **NOTE:** Adhesive takes 24 hours to fully set.



MACHINE LABELS

The following are the Warning labels required for this FS machine. If any of these labels are missing or become damaged, TRUE will replace them free of charge.

Note: these labels are not to scale.

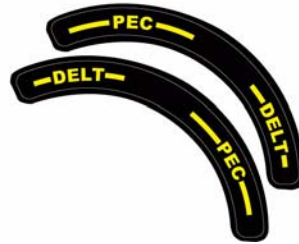


WARNING
SERIOUS INJURY CAN OCCUR ON THIS EQUIPMENT. FOLLOW THESE PRECAUTIONS TO HELP AVOID INJURY.

- BEFORE USING: Read and understand all of the warnings and obtain instruction on the use of this machine. DO NOT modify the machine.
- Get a medical exam before beginning an exercise program.
- Keep body and clothing clear of all moving parts. DO NOT wear anything loose or dangling.
- Inspect the machine before use. DO NOT use if it appears damaged. DO NOT try to fix any machine. Notify staff immediately.
- INSPECT MACHINE DAILY for loose, worn or damaged parts. Replace any part or label at first signs of wear. Inspect all cables and their connections closely. If you are in doubt about any part, DO NOT use the machine until the part is replaced.
- Inspect all cables and connections before using the machine. DO NOT use this machine if any part appears worn or damaged.
- Be certain that weight pin is completely inserted. Use only the pin provided by Paramount. If unsure, seek assistance.
- NEVER pin weights or top plate into an elevated position. DO NOT use the machine if found in this condition. DO NOT try to fix. Seek assistance.
- Use only the incremental weights supplied by Paramount. DO NOT use dumbbells or other means to add resistance to machine.
- NEVER allow children near this machine. Supervise teenagers.
- DO NOT REMOVE THIS LABEL. REPLACE IF DAMAGED.

MAINTENANCE SCHEDULE	
Check the integrity and function of the following items. Replace all worn components immediately.	
Cables:	<ul style="list-style-type: none"> Check tension, and fraying, and coating. <input checked="" type="checkbox"/> Check weight stack locking nut. <input checked="" type="checkbox"/> Replace cables annually. <input checked="" type="checkbox"/>
Lubrication:	<ul style="list-style-type: none"> Wipe down and dry. <input checked="" type="checkbox"/> Clean and condition. <input checked="" type="checkbox"/>
Frame:	<ul style="list-style-type: none"> Wipe down and with damp cloth and dry. <input checked="" type="checkbox"/> DO NOT leave parts damp. Polish/Wax. <input checked="" type="checkbox"/> Wipe down with damp cloth and dry. <input checked="" type="checkbox"/> DO NOT leave parts damp. Polish/Wax. <input checked="" type="checkbox"/>
Nuts/Bolt/Assemblies:	<ul style="list-style-type: none"> Check Tightness. <input checked="" type="checkbox"/>
Crable Rods:	<ul style="list-style-type: none"> Clean and Lubricate. <input checked="" type="checkbox"/>
Adjustments/Locking Pins/Keys:	<input checked="" type="checkbox"/>
Weight Stack Pin:	<input checked="" type="checkbox"/>
Warnings/Instruction Labels:	<input checked="" type="checkbox"/>
Springs:	<input checked="" type="checkbox"/>
Anti-Slip:	<input checked="" type="checkbox"/>
Hand Grips:	<input checked="" type="checkbox"/>

25	20	11	9
40	30	18	14
55	40	25	18
70	50	32	23
85	60	39	27
100	70	46	32
115	80	52	36
130	90	59	41
145	100	66	45
160	110	73	50
175	120	80	54
190	130	86	59
205	140	93	64
220	150	100	68
235	160	107	73
250	170	114	77



LBL-ADJ-0001



B2051



FS-55

- Read all warning labels.
 - If unit appears damaged or inoperable, do not try to use or fix. DO NOT use if weights are pinned in an elevated position. Seek staff assistance.
 - Choose light resistance when using machine for first time and train at controlled speed.



STARTING



ANTERIOR DELTOIDS
PECTORALIS MAJOR



STARTING



TRAPEZIUS
RHOMBOIDS
POSTERIOR DELTOIDS

PEC FLY

- Select seat position. Adjust arm position depending on range and exercise desired. Face outward from the machine.
- Grasp handles, placing upper body on pad.
- Keeping arms flexed slightly, rotate them outward as far as comfortable and return.

REAR DELT

- Select seat position. Adjust arm position depending on range and exercise desired. Face into the machine.
- Grasp handles, placing upper body on pad.
- Keeping arms flexed slightly, rotate them outward as far as comfortable and return.

LBL-PR-FS55BK

LBL-WRN-0002

- LBL-WSE-01170 (170 LB)
- LBL-WSE-01250 (250 LB)
- LBL-WSM-01170 (77 KG)
- LBL-WSM-01250 (114 KG)



ASTM F1749

P/N B2065

B2065

LBL-PR-FS55

If this machine is to be installed in a public use facility, ASTM F1749 requirements specify that the facility sign shown to the right is to be installed in plain view.

If you did not receive the facility sign with your order, you can obtain one free of charge from TRUE by calling 1-800-883-8783.

BE ALERT!

THE FITNESS EQUIPMENT IN THIS FACILITY PRESENTS HAZARDS WHICH, IF NOT AVOIDED, COULD CAUSE SERIOUS INJURY OR DEATH.

PRIOR TO USING THE EQUIPMENT, READ THE WARNING LABELS AND INSTRUCTION PLACARDS AFFIXED TO EACH MACHINE.

IF YOU ARE UNSURE ON HOW TO USE A MACHINE, SEEK THE ASSISTANCE OF OUR FLOOR PERSONNEL. WE WILL BE HAPPY TO INSTRUCT YOU ON HOW TO USE THE EQUIPMENT PROPERLY.

IMMEDIATELY REPORT ANY PIECE OF EQUIPMENT THAT IS NOT FUNCTIONING PROPERLY TO OUR FLOOR PERSONNEL SO THAT IT MAY BE EVALUATED AND SERVICED PROMPTLY.

DO NOT ATTEMPT TO USE OR FIX ANY PIECE OF EQUIPMENT THAT IS NOT FUNCTIONING PROPERLY

ASTM F1749-96

SERVICE

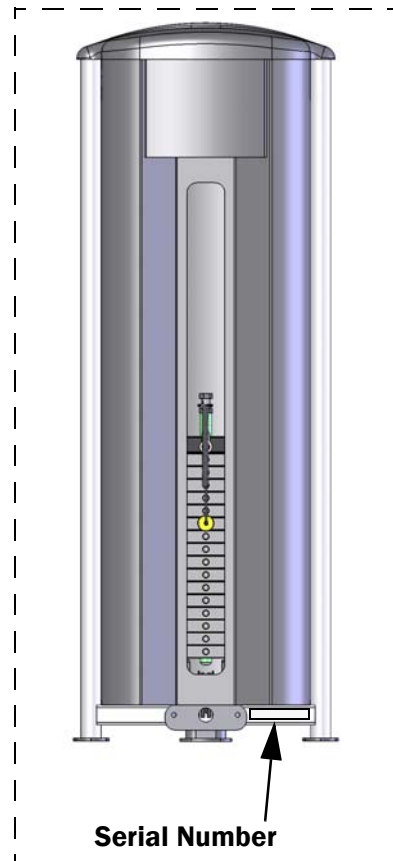
HOW TO OBTAIN SERVICE

For warranty service, contact an Authorized TRUE Dealer or a TRUE Customer Service representative at 1-800-883-8783. You can also email us at service@truefitness.com.

Before you call, please have the following information ready:

- **Model Number:** FS-56
- **Serial Number:** _____
- **Date of Installation:** _____
- **A brief description of the problem**

The serial number is located on the front of the upright frame at the bottom as shown.



FINAL CHECK

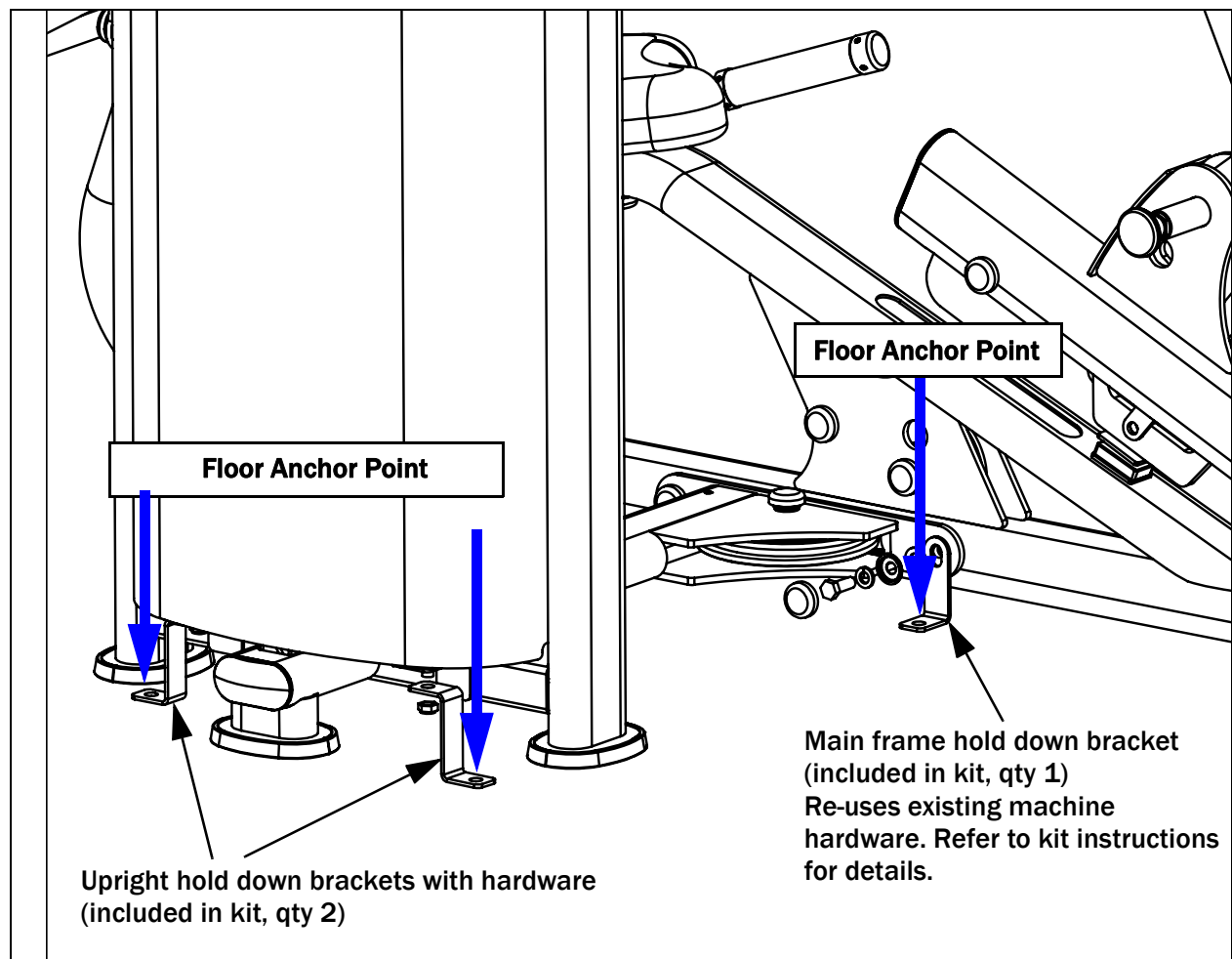
1. If you haven't already done so, lubricate the guide rods and seat adjustment tubes with a teflon spray lubricant. TRUE recommends using TriFlow™ brand.
2. Verify that all adjustments can be made into each position and that the adjustment pin is fully engaged.
3. Place the selector pin into the holder on the cap plate. Perform the exercise slowly. Verify that the cable moves freely, without any binding. Repeat this procedure for each exercise on the machine.
4. Verify that the selector pin can be inserted into each weight plate.

FS BOLT DOWN INSTRUCTIONS

The machines in this product line were designed and tested to meet the ASTM (American) and EN (European) safety standards for stability (without floor anchors) when the machine is used for its intended purpose as designated by the manufacturer.

However, TRUE strongly recommends that all equipment be anchored to the floor to prevent movement and increase stability.

- You will need to order an anchoring kit for each machine. This kit will include brackets and instructions for securing the brackets to the machines. Note: the kit does not include the floor anchor bolts. Order part number: FS-BLTDN-000X, 1 kit per FS machine.
- Due to the wide variation of flooring on which the unit can be installed, contact a qualified contractor to determine an appropriate fastening system for your floor.
- Use 3/8" diameter hardware (10 mm) to anchor the machine. Anchors should have a minimum pull out force of 220 lbs (110 kgs) for each position.
- When attaching the machine to the floor, if there is a gap between the machine foot (or bracket) and the floor, do not use the anchor to remove the gap as this can cause the machine frame to deform. Instead, place a shim between the bottom of the foot and the floor, then tighten the anchor.



Save Time and Register Online!
 Activate Multiple Warranties at truefitness.com

All TRUE® Fitness products are distributed by TRUE and are warranted to the original registered product purchaser and the parts of the TRUE product (the “Product”) listed below, under normal use and service, shall be free of manufacturing defects in workmanship and materials only for the period of time beginning from the original date of purchase set forth below:

Frame*	10 Years
Parts	
Bearings, Bushings, and Weight Plates	5 Years
Guide Rods and Pulleys	5 Years
Cables and Belts	1 Year
Cosmetics, Coatings, Grips, and Upholstery	3 Months
Labor	
Frame	1 Year
Bearings, Bushings, Weight Plates	1 Year
Guide Rods and Pulleys	1 Year
Cables and Belts	1 Year
Cosmetics, Coatings, Grips, and Upholstery	3 Months

- NOTE: Warranty valid for USA and Canada only.
- NOTE: Failure to register this product will result in no servicing or authorization of parts to be shipped.
- NOTE: Buying after-market products from a 3rd party will result in voided warranty.
- NOTE: This product is intended for Commercial use. If this product will not be used in this particular setting, please contact TRUE as is warranty is void.

Frame: The frame is warranted for defects in material and workmanship for a 10 years. The frame is warranted for labor and freight (for parts shipped from TRUE) for one year from date of purchase. * This limited warranty on structural frame does not include paint or coatings.

Parts: The FS Strength Line’s mechanical parts are warranted for defects in material and workmanship for five years with one year labor warranty. Cables and belts are warranted for defects in material and workmanship for one year with one year labor warranty. This limited warranty does not cover damage or equipment failure resulting from or caused by improper assembly/installation, failure to follow instructions and warnings in owner’s manual, accident, misuse, abuse, unauthorized modification, or failure to provide reasonable and necessary maintenance.

Cosmetics: The FS Strength Line cosmetic parts, coatings, grips and upholstery are warranted for defects in material and workmanship for three months with labor warranty to match the parts warranty period. This limited warranty does not cover damage or equipment failure resulting from or caused by improper assembly/installation, failure to follow instructions and warnings in owner’s manual, accident, misuse, abuse, unauthorized modification, or failure to provide reasonable and necessary maintenance. This limited warranty will apply to, but may not be limited to, plastic covers, shrouds, caps, badges, overlays, paint, coatings, soft step inserts, and grips.

Labor: Labor is covered for a period of one year from the date of purchase unless otherwise expressed within this limited warranty as long as a TRUE authorized service provider performs the service. Service that requires over 50 miles of travel may be subject to additional charges. Reasonable and necessary maintenance guidelines can be found in the owner’s manual.

Claims Procedure: TRUE Limited Warranty service may be obtained by contacting the authorized TRUE dealer from whom the Product was purchased. If the dealer from whom the Product was purchased is no longer an authorized TRUE dealer, then TRUE Limited Warranty service may be obtained by contacting TRUE directly using the following contact information:

TRUE Fitness, Service Department
 865 Hoff Road, St. Louis, MO 63366
 1.800.883.8783
 Hours of operation 8:30am - 5:00 pm CST

Save Time and Register Online! Activate Multiple Warranties at truefitness.com

The above Limited Warranty is subject to and will be in accordance with the conditions set forth below:

- 1. THIS LIMITED WARRANTY GIVES YOU SPECIAL LEGAL RIGHTS AND YOU MAY ALSO HAVE OTHER RIGHTS, WHICH VARY FROM STATE TO STATE.**
2. This Limited Warranty can be processed only if the Warranty Registration Form is completed online, or if the attached form is filled in, signed by the original purchaser, and mailed to TRUE within 30 days of purchaser's receipt of this Product. The serial number must be intact on the Product for this Limited Warranty to be valid.
3. This Limited Warranty applies to the product only while the Product remains in the possession of the original purchaser and is not transferable
4. This Limited Warranty becomes VALID ONLY if the Product is initially assembled/installed by a TRUE authorized dealer/technician (if anyone other than a TRUE authorized dealer/technician initially assembles and installs the Product, this Limited Warranty will be void unless the written authorization of TRUE is first obtained).
5. This Limited Warranty does not cover damage or equipment failure resulting from or caused by improper assembly/installation, failure to follow instructions and warnings in owner's manual, accident, misuse, abuse, unauthorized modification, or failure to provide reasonable and necessary maintenance (as referenced in the owner's manual.)
6. This Limited Warranty applies only to the cost of repair or replacement of parts and does not include labor (beyond the above warranty period), transportation, service, return and freight charges associated therewith except as expressly specified herein.
7. This Limited Warranty shall not apply to: Service calls to correct installation of the equipment or instruction to owners on how to use the equipment; or any labor costs incurred beyond the applicable labor warranty period.
8. This Limited Warranty, which is given expressly and in lieu of all other express warranties, constitutes the only warranty made by TRUE.
- 9. ANY IMPLIED WARRANTY, INCLUDING WITHOUT LIMITATION THE WARRANTIES OF MERCHANTABILITY AND FITNESS FOR A PARTICULAR PURPOSE, IS LIMITED IN DURATION AND REMEDY TO THE TIME PERIOD COVERED BY THE LIMITED WARRANTY. SOME STATES DO NOT ALLOW LIMITATIONS ON HOW LONG AN IMPLIED WARRANTY LASTS, SO THE ABOVE LIMITATION MAY NOT APPLY TO YOU.**
- 10. THE REMEDIES DESCRIBED ABOVE ARE YOUR SOLE AND EXCLUSIVE REMEDIES AND TRUE'S ENTIRE LIABILITY**

FOR ANY BREACH OF THIS LIMITED WARRANTY. TRUE'S LIABILITY SHALL UNDER NO CIRCUMSTANCES EXCEED THE ACTUAL AMOUNT PAID BY YOU FOR THE PRODUCT, NOR SHALL TRUE UNDER ANY CIRCUMSTANCES BE LIABLE FOR ANY CONSEQUENTIAL, INCIDENTAL, SPECIAL, OR PUNITIVE DAMAGES OR LOSSES, WHETHER DIRECT OR INDIRECT. SOME STATES DO NOT ALLOW THE EXCLUSION OR LIMITATION OF INCIDENTAL OR CONSEQUENTIAL DAMAGES, SO THE ABOVE LIMITATION OR EXCLUSION MAY NOT APPLY TO YOU.

NOTE TO AUTHORIZED WARRANTY LABOR PROVIDERS:

Warranty labor reimbursement or warranty parts rights may not be transferred to, reassigned to, a third party without the express written consent of TRUE. Even jobbing out warranty labor requires TRUE's written approval.

FS STRENGTH LINE SERIAL NUMBER:

The FS-55 comes with one serial number on the base of the machine. Please write down your serial number below and keep for your records.

SERIAL NUMBER:

SAMPLE SERIAL NUMBER STICKER:

Keep this page for your records

Thank you for purchasing a TRUE product. To validate the TRUE product warranty the fast and easy way, please go on-line now to truefitness.com/support and register your product. The information you provide will never be distributed to any other individuals or agencies for any purpose. If you prefer to mail your warranty card, have the owner of the product complete the information below and return it to TRUE Fitness within 30 days from the date of equipment installation.

To mail your warranty information, please fill in the information below and mail to: Service Dept., TRUE Fitness, 865 Hoff Road, St. Louis, MO 63366 (or save postage and register online at truefitness.com)

Commercial Warranty Registration

PLEASE PROVIDE YOUR SERIAL NUMBER BELOW. REQUIRED FOR WARRANTY REGISTRATION:

SERIAL NUMBER:

Model Type _____

Date of Purchase _____

Your Company Name _____

Contact First Name _____

Contact Last Name _____

Address _____

City _____ State _____ ZIP _____

Email Address _____ Website _____

Phone _____ Fax _____

1. Where did you first learn about TRUE?

- a. Dealer
- b. Website
- c. Advertisement
- d. Referral
- e. Current Customer
- f. Other _____

2. Why did you purchase a TRUE product?

- a. Design/Appearance
- b. Dealer Suggestion
- c. Price/Value
- d. Quality Construction
- e. Performance
- f. TRUE Reputation
- g. Other _____

3. Please indicate your type of facility:

- a. Apartment/Condo
- b. Corporate Fitness Center
- c. Municipality
- d. Health Club/Gym/Spa
- e. Hotel/Resort
- f. Military Base
- g. Student Rec Center
- h. Other

4. What other types of equipment does your company ly own?

- a. Treadmill Brand _____
- b. Bike Brand _____
- c. Elliptical Brand _____
- d. Free Weights/Gym Brand _____

5. How many people use your facility on a daily basis?

- a. <25
- b. 25-75
- c. 76-150
- d. 150+

6. Do you plan to purchase more fitness equipment in the next 6-12 months?

- Yes No

7. If you answered "yes" to question 6, what type do you plan to purchase?

- a. Treadmill
- b. Elliptical
- c. Stationary Bike
- d. Free Weights
- e. Gym
- f. Other _____

8. Would you recommend TRUE to other club owners?

- Yes No

9. You are a valued TRUE customer and your suggestions allow us to continually improve your experience. Is there anything else you would like us to know? Please explain: