

# PLS1100 INCLINE CHEST PRESS

 TRUE FITNESS



MODEL PLS1100  
(MAN-PLS1100 REV02)

**OWNER'S  
MANUAL**



## IMPORTANT—PLEASE READ

### IMPORTANT!

All products shown are prototype. Actual product delivered may vary. Product specifications, features, and software are subject to change without notice.

**For the most up-to-date version of this manual, please see our website:**

<https://truefitness.com/support/user-manuals/>

### IMPORTANTE!

Todos los productos mostrados son prototipos. La realidad el producto suministrado puede diferir. Especificaciones de productos, características y software están sujetas a cambios sin previo aviso.

Para la más actualizada de este manual del propietario y para los documentos en otros idiomas, por favor visite

<https://truefitness.com/support/user-manuals/>

**IMPORTANT!** Tous les produits présentés sont prototype. Le produit réel livré peut varier. Spécifications du produit, caractéristiques et logiciels sont sujettes à modification sans préavis. Pour la plus à jour le manuel du propriétaire et pour documents dans des langues supplémentaires, veuillez <https://truefitness.com/support/user-manuals/> de visite

### 重要提示!

显示所有产品的原型。实际交付的产品可能有所不同产品规格,功能和软件如有更改,恕不另行通知迄今为止对于大多数的使用说明书,和对于其他语言的文档,请访问<https://truefitness.com/support/user-manuals/>

### اهم!

اهمى لست يلعفلا جتنملا فلتخت دق. جذومنلا يه ضرور عمل تاجتنملا عىم ج

راعش! نود رى غتلل لبلباق جماربل او تازىملا او، جتنملا تافصاوم

لصى ام مظعمل <https://truefitness.com/support/user-manuals/>

قراىزى جرى لىل املا لىلد نالا ىتح لصى ام مظعمل <https://truefitness.com/support/user-manuals/>

### WICHTIG!

Alle hier gezeigten Produkte sind Prototypen. Das tatsächliche Produkt ausgeliefert wird, kann variieren. Produkt-Spezifikationen, Funktionen und Software können sich ohne vorherige Ankündigung ändern. In den meisten Fällen bis zu Bedienungsanleitung Bisher besuchen und für Dokumente in weiteren Sprachen finden Sie unter <https://truefitness.com/support/user-manuals/>

### BELANGRIJK!

Alle getoonde producten zijn prototype. Daadwerkelijke product geleverd kan verschillen. Product specificaties, eigenschappen & software zijn onderhevig aan verandering zonder kennisgeving. Voor de meest actuele handleiding van de eigenaar & voor documenten in andere talen kunt u terecht op <https://truefitness.com/support/user-manuals/>

### ВАЖНО!

Все товары указаны прототипа. Фактический продукт, поставляемый могут отличаться. Технические характеристики, особенности и программного обеспечения могут быть изменены без предварительного уведомления. Для получения самой последней на сегодняшний день руководство по эксплуатации и Для документов на другие языки, пожалуйста, посетите <https://truefitness.com/support/user-manuals/>

## THANK YOU FOR CHOOSING TRUE

Since its founding in 1981, TRUE Fitness has been built on two core guiding principles: Build the highest quality products and support them with superior service. Today, TRUE is the global leader in premium fitness equipment for the commercial and residential markets.

Over the years, the fitness industry has changed, new markets have sprung up, and the needs of our customers have evolved, but those principles remain constant, and we remain ever-vigilant in working to achieve them.

In keeping with our values, TRUE has always striven to equip our machines with the latest technology and safety features since the beginning, giving our customers the very best exercise experience possible while providing peace of mind.

As your dedicated partner, we will do whatever it takes to keep your facility going strong. Our experienced team provides end-to-end service, from facility planning and maintenance to providing your machines with the newest technologies. You can count on TRUE Fitness for the best service in the industry, provided by a team focused on optimizing the life of your equipment.

## CONTACTING OUR SUPPORT TEAM

Before you contact TRUE, we recommend gathering the serial number, model number, and a brief description of the reason for your request. After you have all the pertinent information, we suggest you contact your selling dealer or local service company to set up an appointment. If you are not familiar with who is in your area, you can visit <https://shop.truefitness.com/store-locator/> and use our store locator to obtain the contact information for the closest dealer.

If you still need help, please contact our product support team.

Address	TRUE Fitness Attn: Product Support 865 Hoff Road St. Louis, MO 63366
Phone	800.883.8783
Email	service@truefitness.com
Hours of Operation	Monday - Friday 8:30am - 5:00pm (CST)

## CONTACTING OUR SALES TEAM

Interested in owning more TRUE products? Please contact us with any product inquires so that we may direct you to the appropriate sales representative to help answer your questions.

Address	TRUE Fitness Attn: Sales Department 865 Hoff Road St. Louis, MO 63366
Phone	800.426.6570
Email	sales@truefitness.com
Hours of Operation	Monday - Friday 8:30am - 5:00pm (CST)



## **REPORTING FREIGHT CLAIMS OR PARTS DAMAGE**

Unfortunately, sometimes materials can be damaged during shipment. If materials are damaged during shipment, please follow the guidelines below to determine the appropriate process for you to follow.

### **Severe Damage—Obvious damage to external packaging and internal product.**

Please refuse the shipment and it will be returned to TRUE by the carrier. Contact TRUE product support by calling 800.883.8783 or sales support by calling 800.426.6570 Monday-Friday during normal business hours to notify us that the shipment has been refused. Once we have received the damaged shipment, a replacement shipment will be sent to you. If the shipment comes in multiple boxes, only refuse boxes with damage.

### **Slight Damage—Minimal damage to external packaging with unknown internal damage to product.**

If the shipment has minimal damages and you are not sure if the actual product is damaged, you must sign the bill of lading as damaged when accepting the shipment. Once you have opened the box and you have determined something is indeed damaged, please gather the serial number, model number, description of damage, and photos of damage. Please make sure the photos include the damaged product as well as the damaged box the product arrived in. Contact TRUE product support ([service@truefitness.com](mailto:service@truefitness.com) // 800.883.8783) or TRUE sales support ([sales@truefitness.com](mailto:sales@truefitness.com) // 800.426.6570) Monday-Friday during normal business hours.

### **Concealed Damage—No damage to external packaging but internal damage to product.**

You may receive a shipment that looks intact and discover once the box has been opened that there are hidden damages. Please notify the carrier immediately. TRUE will not be able to file a claim if the carrier is not notified in a timely manner. Once you have called the carrier you will need to gather the serial number, model number, description of damage, and photos of damage. Contact TRUE product support ([service@truefitness.com](mailto:service@truefitness.com) // 800.883.8783) or TRUE sales support ([sales@truefitness.com](mailto:sales@truefitness.com) // 800.426.6570) Monday-Friday during normal business hours.

## **TABLE OF CONTENTS**

### **SAFETY INSTRUCTIONS**

IMPORTANT SAFETY INSTRUCTIONS—SAVE THESE INSTRUCTIONS.....	6
GENERAL CARE AND MAINTENANCE.....	8
COMMERCIAL MAINTENANCE SCHEDULE.....	9
COMPLIANCES.....	9
DIMENSIONS AND WEIGHTS.....	10
LABEL LOCATIONS.....	11
WARNING AND INTENDED USE LABELS.....	11

### **ASSEMBLY INSTRUCTIONS**

PREASSEMBLY CHECKLIST.....	13
ASSEMBLY STEPS.....	15

### **PREVENTATIVE MAINTENANCE**

DAILY INSPECTION AND MAINTENANCE.....	23
WEEKLY INSPECTION AND MAINTENANCE.....	23
OTHER SCHEDULED PREVENTATIVE MAINTENANCE.....	23
CLEANING THE EQUIPMENT.....	24

### **WARRANTY INFORMATION**

COMMERCIAL LIMITED WARRANTY.....	25
----------------------------------	----

## **SAFETY INSTRUCTIONS**

### **IMPORTANT SAFETY INSTRUCTIONS—SAVE THESE INSTRUCTIONS**

#### **▲ FACILITY AND USER SAFETY PRECAUTIONS**

- Review and understand all of the warning labels affixed to this machine and on the facility safety sign.
- Be certain that the machine operation is understood before it is used. Refer to the instructional procedure label affixed to the machine.
- Make sure all users are properly trained on how to use this equipment. If this machine is being used in a commercial setting, end users may not have access to this owners manual. It is the responsibility of the facility to instruct users as to the proper usage of the equipment as well as making them aware of potential hazards. Maximum user weight is 400 lbs / 182 kg.
- Use each machine only for the intended exercise. Do not allow anyone to invent exercises not included on the instructional procedure label or the intended use label.
- Do not modify the machine.
- This equipment meets industry safety standards for stability when used for the intended exercise. Do not allow straps, resistance bands or other means to be attached to the framework of this machine to perform stretching or body weight exercises. This can result in machine instability and lead to serious crushing injuries.
- Keep children away from this equipment. Adults should closely supervise use by teenagers.
- It is recommended that users receive a thorough medical exam before commencing an exercise program. All medical issues should be reviewed to ensure that weight training will not aggravate pre-existing medical conditions.
- If the machine appears damaged or inoperable, contact a facility staff member to place an “OUT OF ORDER, DO NOT USE” sign on the machine until it is repaired. Only use TRUE supplied replacement components to service this machine.
- Instruct users not to wear loose or dangling clothes or have headphone wires hanging when using this equipment.
- Do not attempt to free any jammed assemblies by yourself as this may cause injury.
- On Plate Loaded and Free Weight machines:
  - Use of spotter(s). Instruct users to seek the advice of the facility staff as to the appropriate use of spotters when lifting. More than one spotter may be required depending upon the amount of weight being lifted.
  - Instruct users to load weight plates evenly and carefully to avoid tipping equipment and crushing injuries.
  - If the machine is equipped with safety stops or catches, inspect them and verify their proper operation before use and make sure they are securely in place before using or exiting the machine. Be certain members are instructed on how to operate and adjust all safety mechanisms.
  - This equipment is designed for standard olympic size weight plates with a 50mm bore (1.9”).
  - Do not exceed the maximum weight capacity of the machine. Maximum plate size is 45 lbs (25 kg).
- On Selectorized and cable equipped machines:
  - Do not allow users to perform any exercise by holding the end of the cable and/or the cable end fitting. Use only appropriate handles or attachments properly connected to the cable end.
  - Do not high-pin or double-pin the weight stack. Do not allow the machine to be used if the top plate or weight stack is pinned in a raised position. Use an assistant and carefully return the machine to the proper position with the cap plate resting on the top weight. Inspect the entire length of the cable to ensure that it is properly seated in all of the pulley grooves.
  - Do not allow the use of weight plates or dumbbells to be used as a means to add additional weight to the weight stacks. Use only the TRUE adder weight system specifically designed for the machine.

## INSTALLATION SAFETY PRECAUTIONS

- Read this installation manual entirely before assembling this equipment.
- Verify that there is adequate space surrounding this piece of equipment for safe access and operation. Installation must meet ADA requirements for accessibility.
- Install this piece of equipment on a solid level surface that does not deviate more than 1/8" over a 10' distance (or as defined and required by local building and architectural codes.)
- TRUE strongly recommends that all equipment be anchored to the floor to prevent movement and increase stability.
  - Due to the wide variation of flooring on which the unit can be installed, contact a qualified contractor to determine an appropriate fastening system for your floor.
  - Use 3/8" diameter hardware (10 mm) to anchor the machine. Anchors should have a minimum pull out force of 220 lb (110 kg) for each position.
  - When attaching the machine to the floor, if there is a gap between the machine foot and the floor, do not use the anchor to remove the gap as this can cause the machine frame to deform. Instead, place a shim between the bottom of the foot and the floor, then tighten the anchor.
  - Anchoring holes are provided on the feet of the frame. All anchoring locations must be used when anchoring the equipment to the floor.
- **DO NOT** install any fitness equipment near a pool, hot tub or other damp locations. Corrosion caused by installation in these locations can lead to premature failure of components.
- **Be sure all hardware is tight before using this machine.**
- **Some assembly materials may come preassembled in the carton. Refer to the Assembly Instructions for more information on disassembling any assembly materials before beginning assembly.**

## MAINTENANCE SAFETY PRECAUTIONS

- Refer to the maintenance schedule table in this manual for when to perform maintenance.
- Check the function of your machine DAILY by verifying the following:
  - If equipped with cables, inspect cables and end fittings for any signs of wear. Replace if worn, frayed, or damaged with TRUE replacement components.
  - Verify that all adjustments are possible and carried out with ease. Make sure that each adjustment pin inserts completely into each position without binding.
  - Verify that safety catches and stops are in proper working order and engaged.
  - Verify that the exercise is performed smoothly, free of noise, and/or binding.
  - If equipped with a weight stack, verify that the proper weight selector pin is in place.
- Check the function of your machine WEEKLY by verifying the following:
  - Nuts, Bolts, and Fasteners: check tightness weekly. If any hardware has become loose, retighten it, use Loctite® Threadlocker 242, or both.
  - Frames and Lifting Arms: Inspect weekly for integrity and function. Replace any component at first signs of wear. Use only TRUE supplied components.
- Replace any warning label at the first sign of wear. Labels and the facility safety sign may be obtained from TRUE.

## GENERAL CARE AND MAINTENANCE

### IMPORTANT

Preventative maintenance is crucial to maintaining the function and safety of this equipment. Your facility must establish written guidelines for preventative maintenance and keep written or online records of the maintenance performed on these products. As a minimum, the items presented in the SAFETY section of this document and the items that follow here, should be included in your maintenance program.

- Cables (if equipped)—inspect end fittings daily for wear. Inspect the entire length of the cable weekly. Replace cables at the first sign of wear and on an annual basis. If the cable tension has been adjusted, be certain that the cable nut is tight.
- Nuts, bolts, and fasteners—check tightness weekly. If any hardware has become loose, retighten and/or use Loctite® brand Threadlocker 242. Be sure all hardware is tight before using the machine.
- Safety catches—inspect catches, stop rods and their associated fasteners. Tighten any loose hardware and replace any components at first signs of wear.
- Frames—sweat, disinfecting sprays and spills can lead to corrosion which may lead to premature failure of components. Wipe all machines down with a damp cloth and dry completely each day. This includes painted parts, chrome parts and upholstered pads.
- Painted and chrome plated parts—use Simple Green with a dilution of 32:1 or similar cleaner for light dirt and grime. Use Turtle Wax Polishing Compound or a good car polish to remove heavier dirt and grease as well as for polishing. DO NOT use solvents, lacquer thinner, acetone or finger nail polish remover. For scuffs and marks that are not removed by the above methods use a soft scrub cleanser. Make sure all parts are dry upon completion.
- Weight stack enclosures (shrouds) (if equipped)—wipe down with a damp cloth as needed.
- Exercise instruction labels—clean with soap and water as needed.
- Guide rods (if equipped)—wipe all dirt and dust from the guide rods before applying a light application of Tri-Flow™ or other teflon spray lubricant. Spray the Tri-Flow™ on a rag and then wipe the guide rods with the rag. **DO NOT** use oil lubricants such as WD-40.

 **CAUTION:** Tri-Flow™ will stain carpet and clothing.

- Bronze bushings—check monthly for signs of wear and replace as needed.
- Linear bearing shafts—wipe any accumulation of dust or other contaminants from the shafts on a weekly basis. Apply a thin layer of a Teflon® (PTFE) grease on a weekly basis. TRUE recommends Magnalube® brand.
- When replacing any component, use only TRUE supplied parts.
- Be sure all hardware is tight before using the machine.

Retain these instructions for future reference. If you have any questions, do not hesitate to contact your TRUE dealer or TRUE product support ([service@truefitness.com](mailto:service@truefitness.com) // 800.883.8783).



## COMMERCIAL MAINTENANCE SCHEDULE

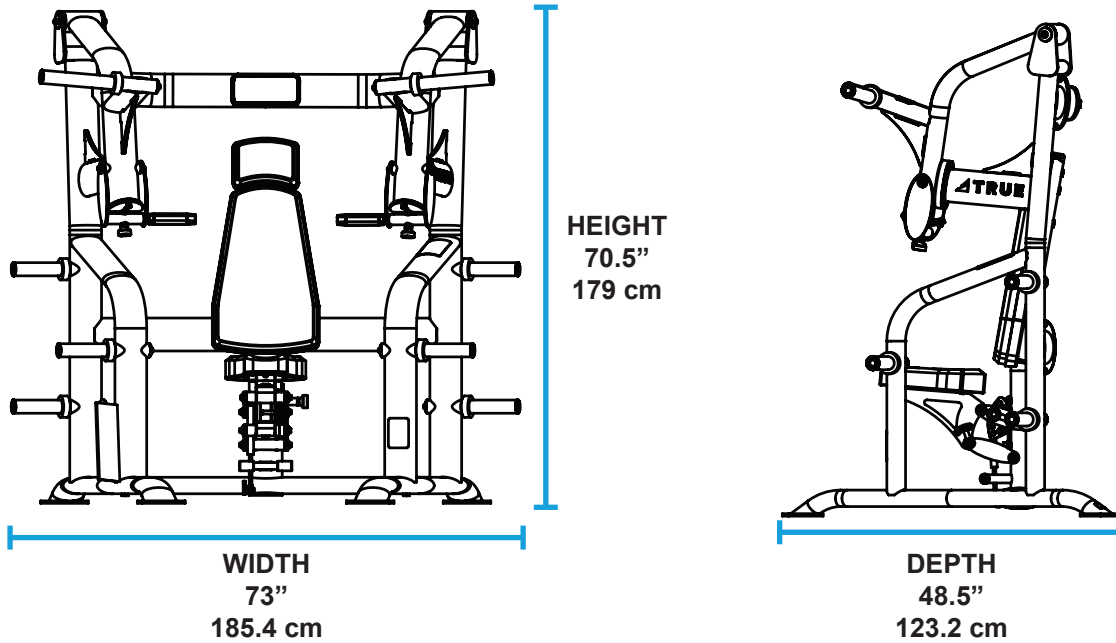
Commercial Maintenance Schedule					
	Daily	Weekly	Monthly	6 Months	Annually
Inspect cables for wear, tension, and proper connection if equipped. Replace at the first sign of wear.	X				
Inspect cable length and cable end fittings. Replace at the first sign of wear.		X			
Inspect all nuts and bolts and tighten if needed.		X			
Inspect safety catches, stop rods, and their fasteners. Replace at the first sign of wear.	X				
Inspect all anti-slip surfaces and replace as needed.		X			
Inspect all adjustment pins, weight stack pins, set screws, gas shocks, snap links, and pulleys if equipped.	X				
Inspect all accessory bars and handles.		X			
Inspect all safety and instructional decals.	X				
Inspect all weight stack shields if equipped.	X				
Clean guide rods and lubricate with a teflon lubricant if equipped.		X			
Clean and condition upholstery.	X				
Clean and polish frame.	X				
Clean and polish chrome.	X				
Lubricate pivot bearings and linear bearings.				X	
Replace cables if equipped.					X

## COMPLIANCES

This equipment complies with all applicable codes and regulations. For a complete list of compliances, please visit [www.truefitness.com](http://www.truefitness.com).

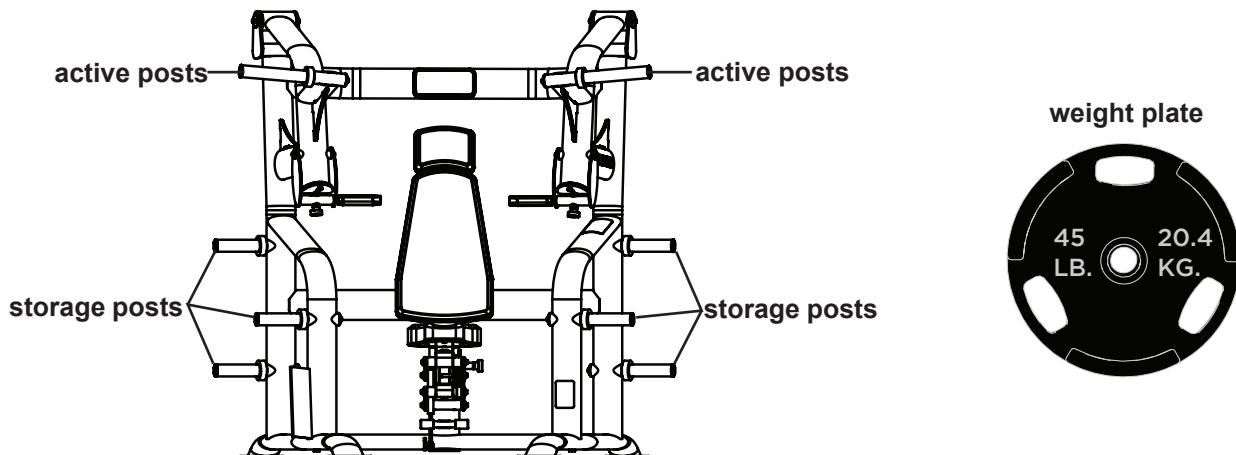
## DIMENSIONS AND WEIGHTS

- ASSEMBLED DIMENSIONS (W X D X H)**  
 73" x 48.5" x 70.5" / 185.4 cm x 123.2 cm x 179 cm



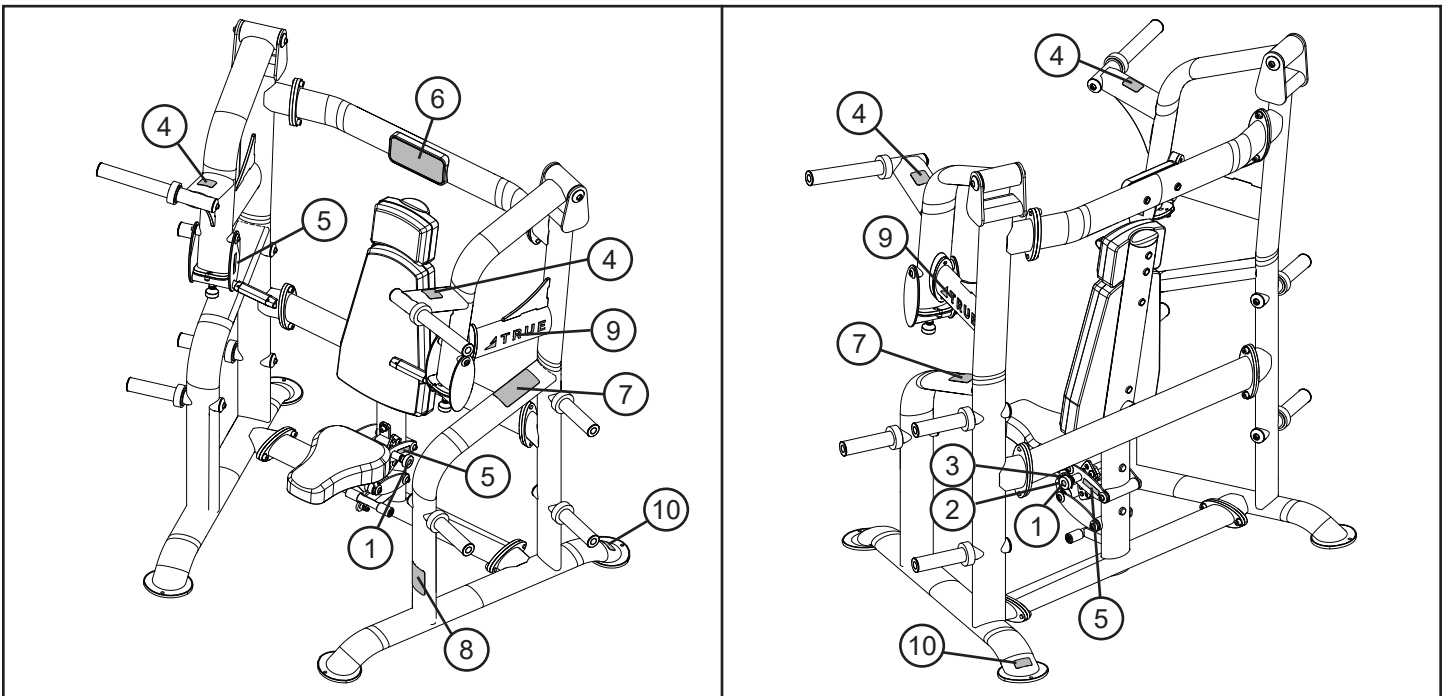
- PRODUCT WEIGHT**  
 398 lbs / 180.5 kg
- MAXIMUM USER WEIGHT**  
 400 lbs / 182 kg
- MAXIMUM LOAD (USER WEIGHT + WEIGHT PLATES)**  
 2560 lbs / 1161.2 kg

POST CAPACITY				
Number of Active Posts	Max 45LB. Plates Per Active Post	Number of Storage Posts	Max 45LB. Plates Per Storage Post	Total Number of Weight Plates Allowed
2	6	6	6	48



## LABEL LOCATIONS


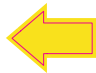
Item	Part#	Description	Qty
1	LBL-ADJ-SPL013	LABEL, ADJUSTMENT KNOB YELLOW	3
2	LBL-ADJ-SPL010	LABEL, SEAT ADJ POSITION INDICATOR ARROW SPL	1
3	LBL-ADJ-PLS027	LABEL, PLS SEAT ADJ	1
4	LBL-WRN-PLS002	LABEL, 6 PLATE WARNING	2
5	B2065	LABEL, WARNING, COMPLETELY INSERT PIN	3
6	LBL-PRO-PLS1100	LABEL, PLS1100 PROCEDURE	1
7	LBL-WRN-PLS001	LABEL, GENERAL WARNING	1
8	LBL-MTN-PLS001	LABEL, MAINTENANCE	1
9	LBL-LOG-010BK	LABEL, 10" NEW TRUE LOGO, WHITE	2
10	SPL-00-LBLSN	LABEL, SERIAL NUMBER	1



## WARNING AND INTENDED USE LABELS

**⚠ WARNING:** Replace all labels that may be worn, damaged, or missing.

To replace any worn or missing decals contact TRUE product support ([service@truefitness.com](mailto:service@truefitness.com) // 800.883.8783).

Part# and Description	Image
LBL-ADJ-SPL013 (Adjustment Knob)	
LBL-ADJ-SPL010 (Adjustment Arrow)	

Part# and Description	Image
LBL-ADJ-PLS027 (Seat Adjustment)	
LBL-WRN-PLS002 (Plate Weight)	
B2065 (Pop Pin Warning)	
LBL-PRO-PLS1100 (Placard)	
LBL-WRN-PLS001 (General Warning)	
LBL-MTN-PLS001 (Maintenance)	
LBL-LOG-010BK (Logo)	
SPL-00-LBLSN (Serial Number)	

# ASSEMBLY INSTRUCTIONS

 NOTE: Supplemental video available @TRUEFitnessServiceVids: [https://youtu.be/B\\_VSIPVkt-4](https://youtu.be/B_VSIPVkt-4)

## PREASSEMBLY CHECKLIST

### ⚠ CAUTION:



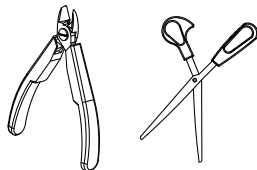
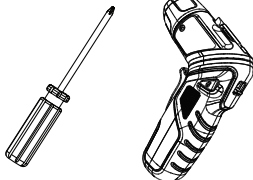
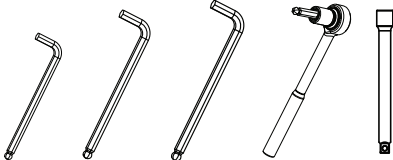
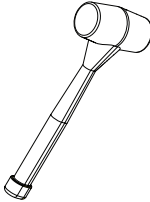

Use caution when assembling this product.  
Unpacking and assembling this product requires two or more people.

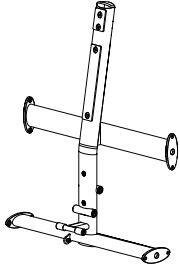
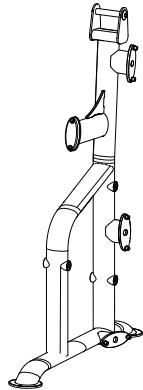
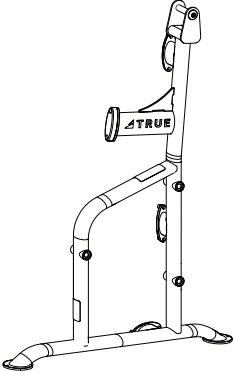
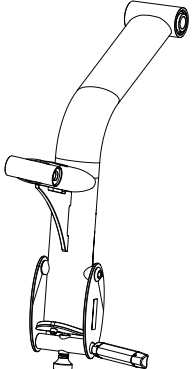


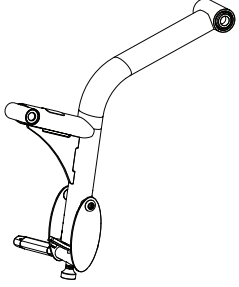
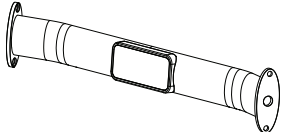
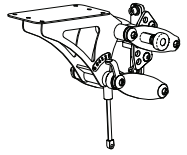
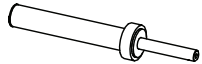
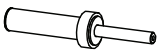

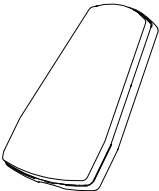

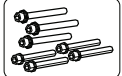

Use caution when unpacking this product. Avoid damage to the product and product pads.  
DO NOT use a box cutter. DO NOT slice into the packaging.

## VERIFY BOX CONTENTS

**IMPORTANT!** Please verify all box contents. If you have questions, or if there are any missing parts, contact product support ([service@truefitness.com](mailto:service@truefitness.com) | 800.883.8783).

TOOLS NEEDED FOR ASSEMBLY	
Wire Cutters or Scissors (used in unboxing the machine)	
#2 Phillips Screwdriver or Electric Screwdriver (both are optional in unboxing the machine)	
3/8", 5/16", and 5/32" Allen Wrenches (or ratcheting socket wrench with hex bits - ball end recommended)	
Rubber Mallet	
Loctite® Medium-Strength Threadlocker 242	

BOX CONTENTS		
Item	Image	Qty
Center Seat Frame Assembly		1
Right Side Frame Assembly		1
Left Side Frame Assembly		1
Right Side Arm Assembly		1

BOX CONTENTS		
Item	Image	Qty
Left Side Arm Assembly		1
Upper Center Frame Assembly		1
Seat Assembly		1
Active Weight Post Assemblies (Long)		2
Storage Weight Post Assemblies (Short)		6
Seat Pad Assembly		1
Back Pad Assembly (includes back pad and tray)		1
Head Pad Assembly (includes head pad and tray)		1
Pad Kit Hardware Bag		1
Manual		1

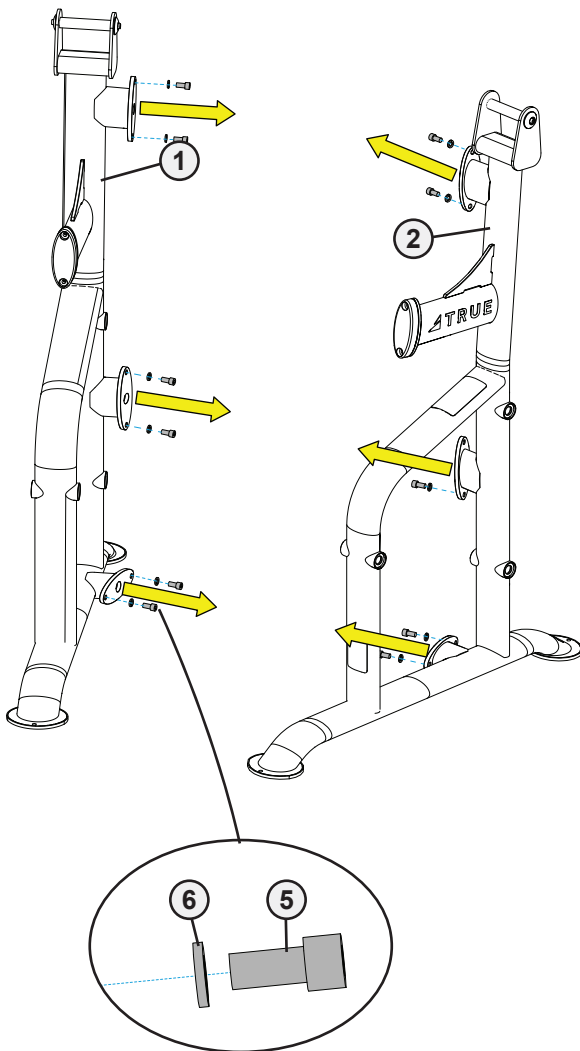
## ASSEMBLY STEPS

### STEP 1—ASSEMBLE FRAME

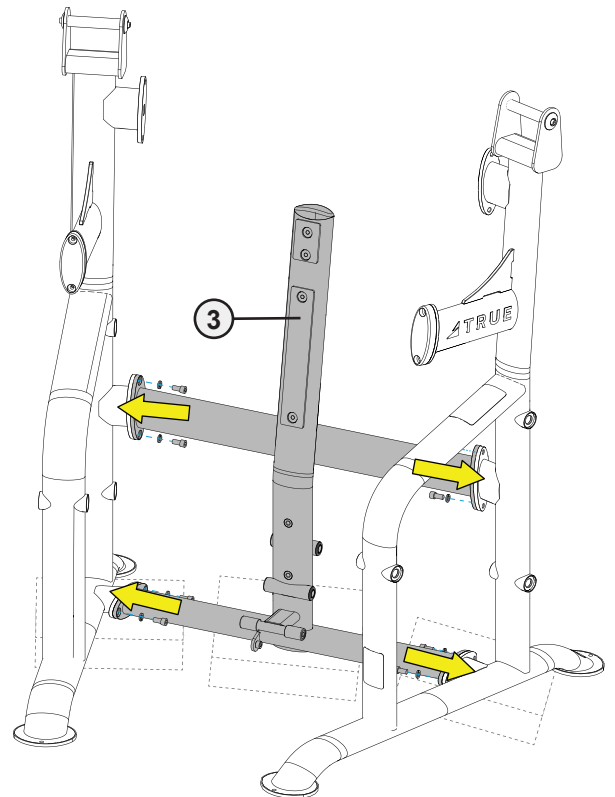
Tools Used in this Step	
3/8" Allen Wrench (ball end recommended)	

Parts Used in this Step			
ITEM	PART#	DESCRIPTION	QTY
1	PLS-11-MFR050X	RIGHT FRAME ASSEMBLY	1
2	PLS-11-MFR000X	LEFT FRAME ASSEMBLY	1
3	PLS-01-MFR270X	SEAT FRAME ASSEMBLY	1
4	PLS-11-CBR000X	UPPER CROSS BRACE ASSEMBLY	1
5	C 640A	SHCS, 1/2"-13 X 1", BLK	12
6	C 750B	LOCK WASHER, 1/2MED.SPLIT, BLACK BED	12

- A. Remove and set aside the 12 preassembled socket head cap screws and lock washers from the right and left frame assemblies.



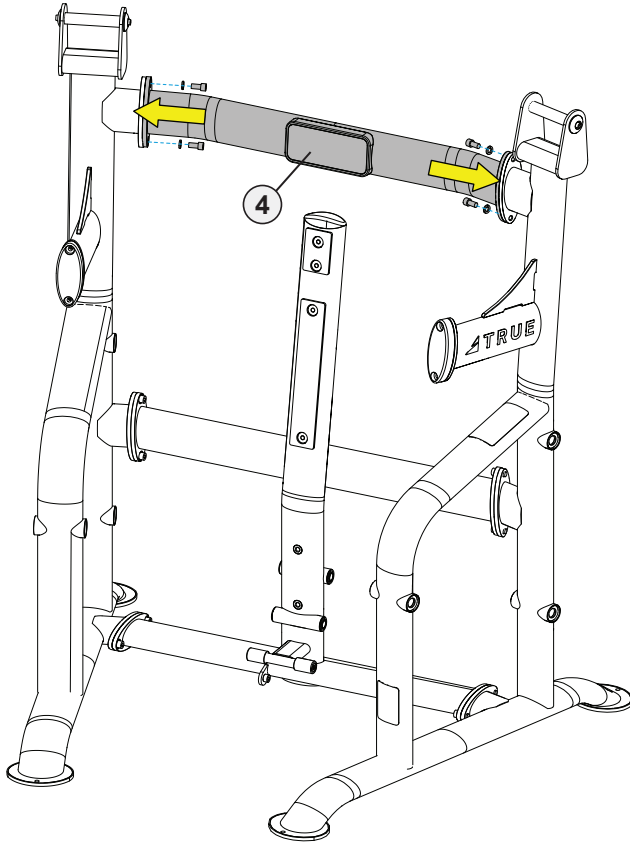
- B. Using two people, carefully line up the right and left frame assemblies with the seat frame assembly and finger tight the previously removed socket head cap screws and lock washers.



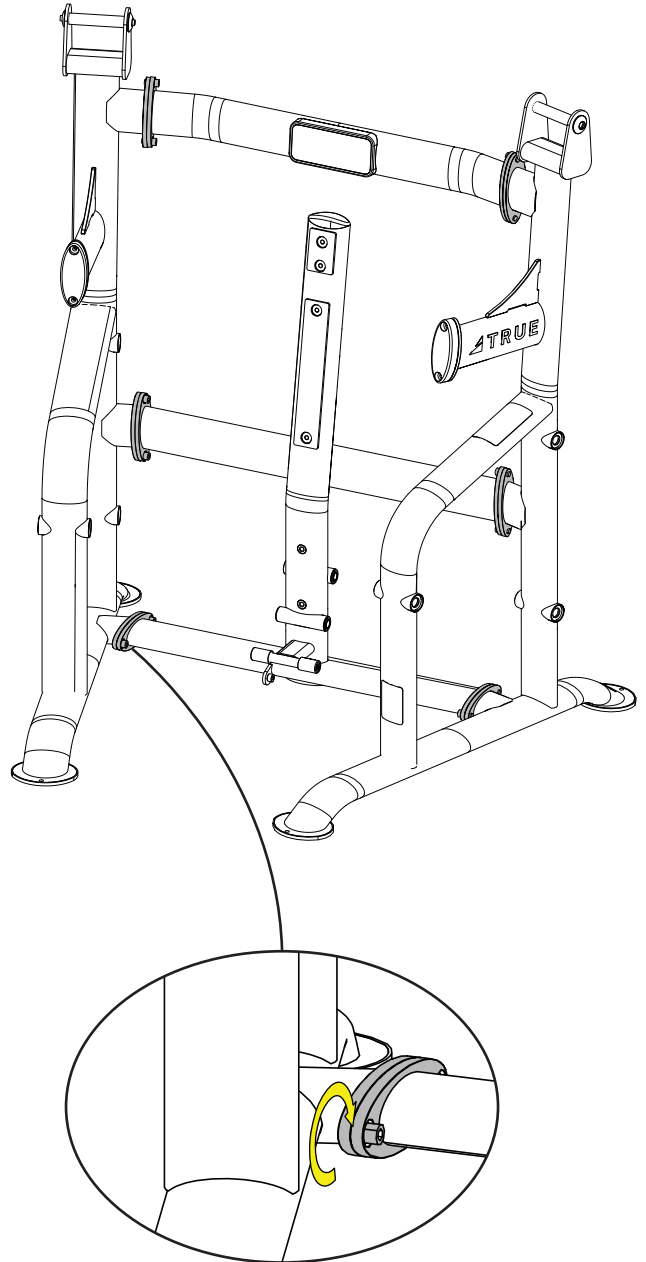
**NOTE:** As you align the parts together, it helps to use the styrofoam from the packaging to place under the frame pieces.

## STEP 1—ASSEMBLE FRAME CONTINUED

- C. Using two people, carefully line up the right and left frame assemblies with the upper cross brace assembly and finger tight the previously removed socket head cap screws and lock washers.



- D. When all 12 socket head cap screws and lock washers are finger tight, use a 3/8" allen wrench to fully tighten.



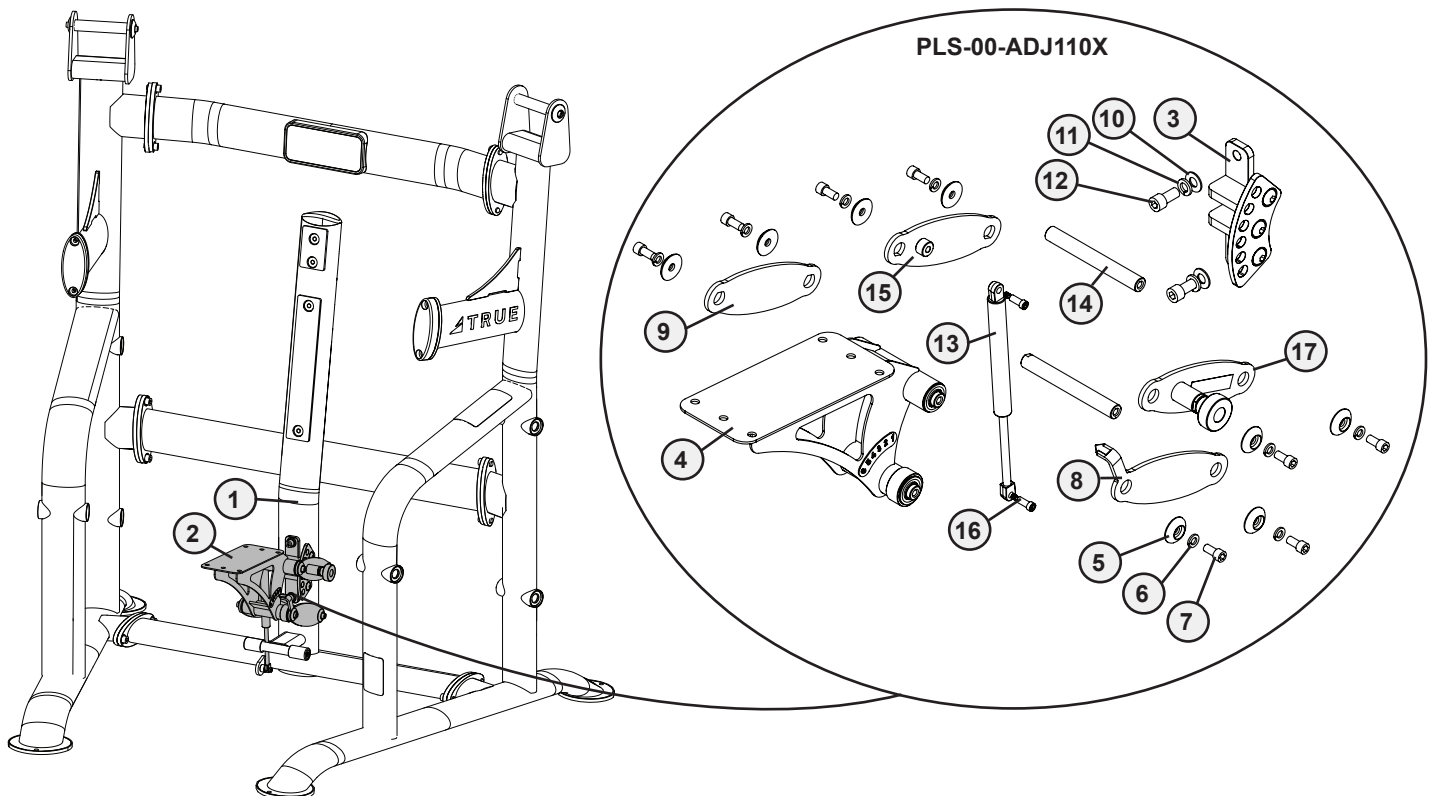


## STEP 2—ASSEMBLE SEAT TO SEAT FRAME ASSEMBLY

Tools Used in this Step	
Wire Cutters	
5/32", 5/16", and 3/8" Allen Wrench	
Rubber Mallet	
Loctite® Medium-Strength Threadlocker 242	

Parts Used in this Step			
ITEM	PART#	DESCRIPTION	QTY
1	PLS-01-MFR270X	SEAT FRAME ASSEMBLY	1
2	PLS-00-ADJ110X	ASSEMBLY, FOUR BAR LINK SEAT ADJUSTMENT	1
3	PLS-00-ADJ210X	ASSEMBLY, SEAT ADJUSTMENT ARC	1
4	PLS-00-SFR260X	ASSEMBLY, PLS SEAT FRAME	1
5	SPL-00-CAP007	ALM BOLT CAP	8
6	C 749B	LOCK WASHER, 3/8", BLK ZP	8
7	C 622A	SHCS, 3/8"-16 X 3/4"	8
8	PLS-00-SFR248X	ASSEMBLY, SIDE PLATE INDICATOR	1
9	PLS-00-SFR247	PLATE, SEAT FRAME SIDE	1
10	C 755C	WASHER, FLAT, 1/2", BLK ZP	2
11	C 750B	LOCK WASHER, 1/2MED.SPLIT, BLACK BED	2
12	C 640A	SHCS, 1/2"-13 X 1"	2
13	SPL-00-GS009	PLS SEAT ADJUSTMENT GAS SHOCK	1
14	PLS-00-SFR219	AXLE, SEAT	2
15	PLS-00-SFR245	WELDMENT, SIDE PLATE	1
16	C1273	LP SHOULDER, 5/16, 1/4"-20x3/4" SHOULDER, E-COAT	2
17	PLS-00-SFR240X	ASSEMBLY, SEAT ADJ	1

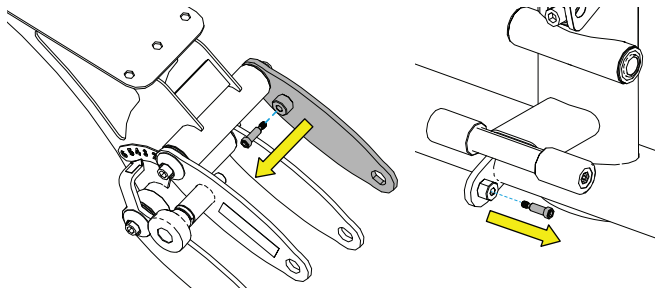
Overview of seat assembly parts. See the steps on the following page for how to assemble the seat to the frame.



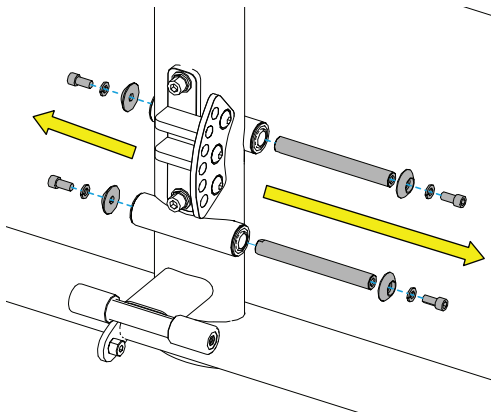
## STEP 2—ASSEMBLE SEAT TO SEAT FRAME ASSEMBLY CONTINUED

A. Prepare the seat assembly and seat frame so they can be assembled:

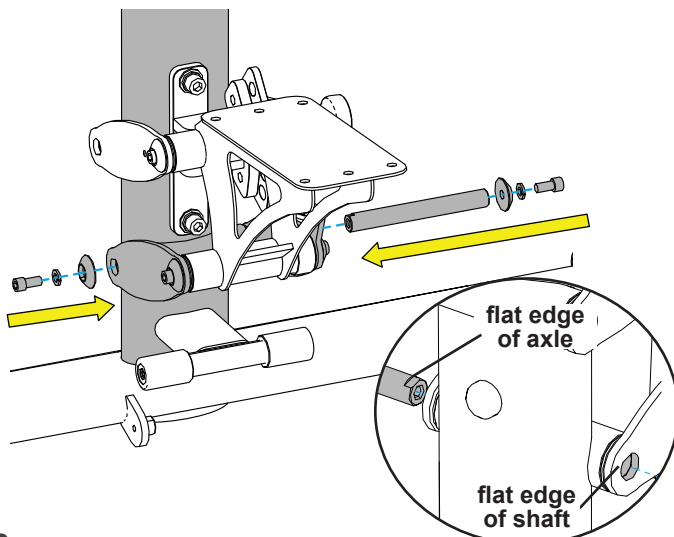
- a. Using a 5/32" allen wrench, remove both shoulder screws for the gas shock assembly.



- b. Using a 5/16" allen wrench, remove the socket head cap screws, lock washers, and caps securing the upper and lower axles to the seat frame.

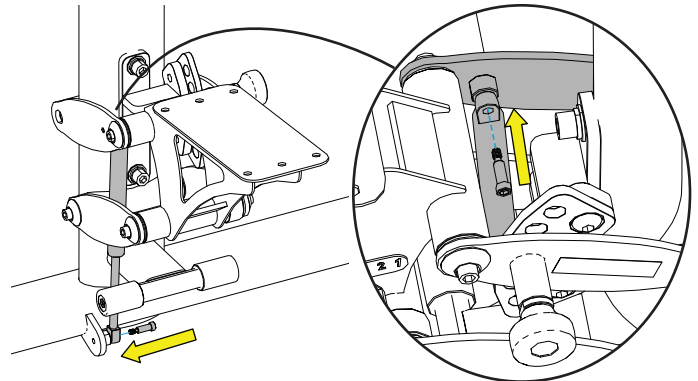


B. Line up flat edge of the lower axle with the flat edge of the frame/shaft. If needed, use a rubber mallet to lightly tap the axle into the shaft. Apply Loctite® to the two socket head cap screws, and using a 5/16" allen wrench, attach the socket head cap screws, lock washers, and caps to the lower side plates and seat frame assembly.

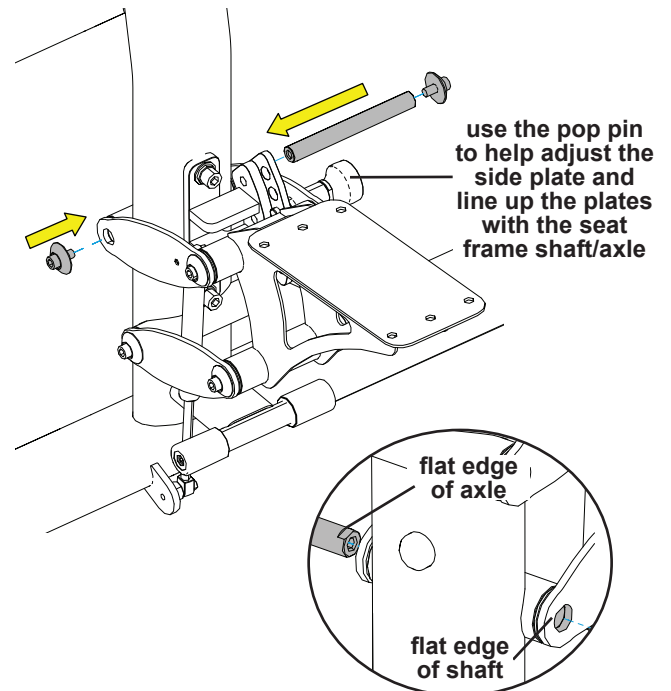


C. Apply Loctite® to the bottom shoulder screw and using a 5/32" allen wrench, attach the gas shock to the seat frame assembly.

Apply Loctite® to the top shoulder screw and using a 5/32" allen wrench, attach the gas shock to the upper side plate.



D. Line up flat edge of the upper axle with the flat edge of the frame/shaft. If needed, use a rubber mallet to lightly tap the axle into the shaft. Apply Loctite® to the two socket head cap screws, and using a 5/16" allen wrench, attach the socket head cap screws, lock washers, and caps to the upper side plates and seat frame assembly.

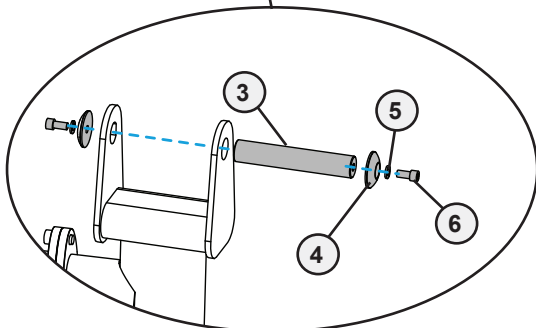
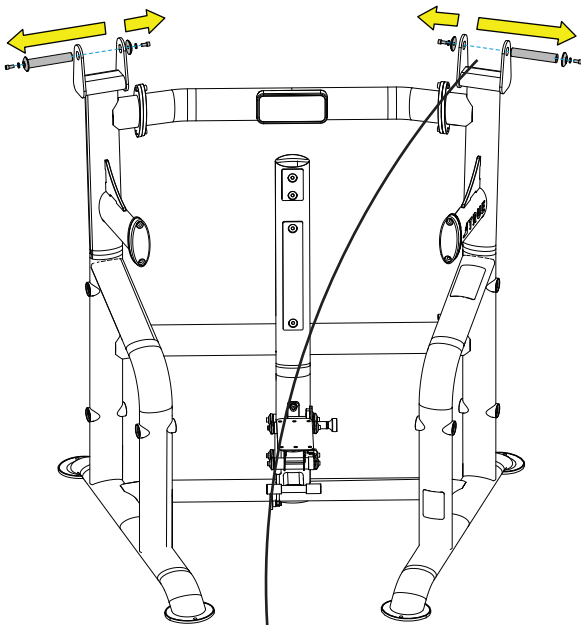


### STEP 3—ATTACH ARMS TO FRAME

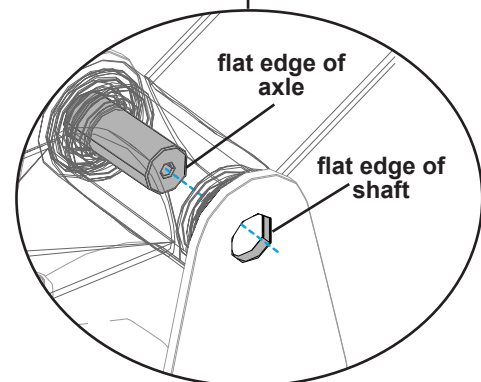
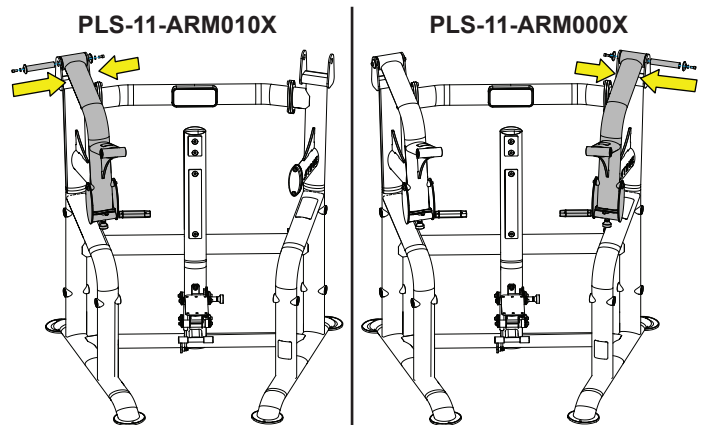
Tools Used in this Step	
5/16" Allen Wrench (ball end recommended)	
Rubber Mallet	

Parts Used in this Step			
ITEM	PART#	DESCRIPTION	QTY
1	PLS-11-ARM000X	ASSEMBLY, PLS1100 USER LEFT ARM	1
2	PLS-11-ARM010X	ASSEMBLY, PLS1100 USER RIGHT ARM	1
3	PLS-01-AXL001	AXLE, PIVOT	2
4	PLS-00-CAP005	ALM BOLT CAP	4
5	C 622A	SHCS, 3/8"-16 X 3/4"	4
6	C 749B	LOCK WASHER, 3/8", BLK ZP	4

- A. Using a 5/16" allen wrench, remove and set aside the socket head cap screws, lock washers, caps, and axles from the right and left frame assemblies.



- B. Using two people, carefully attach the arms:
- Place the right arm assembly in between the brackets of the right frame assembly.
  - Line up flat edge of the axle with the flat edge of the frame/shaft and using a rubber mallet, lightly tap the axle into the shaft.
  - Using a 5/16" allen wrench, attach the socket head cap screws, lock washers, and caps to secure the right arm to the right frame.
  - Repeat for the left arm.

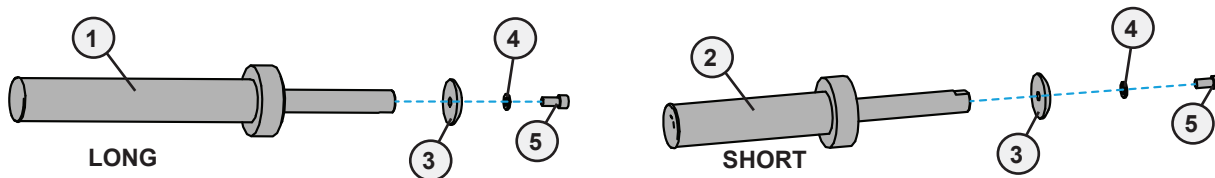


## STEP 4—ATTACH WEIGHT POST ASSEMBLIES

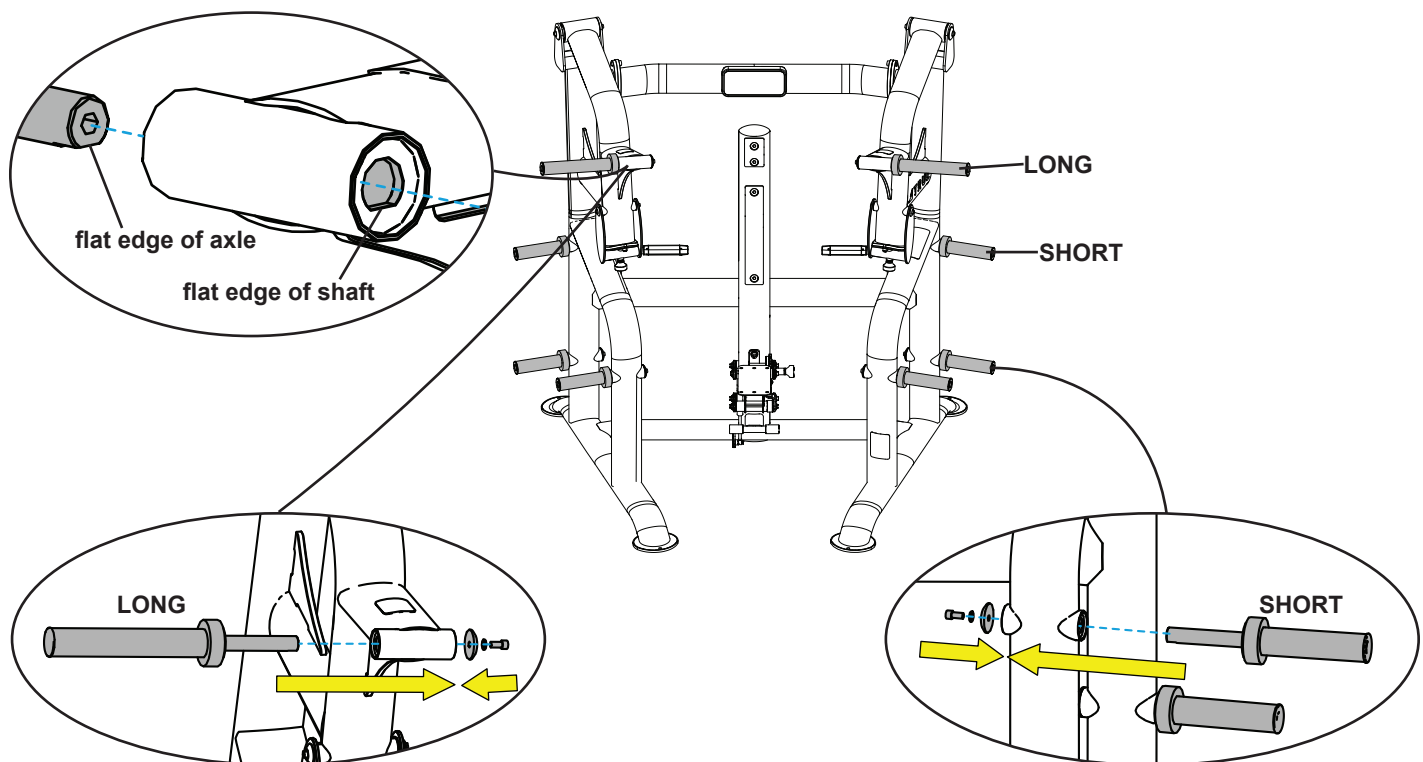
Tools Used in this Step	
5/16" Allen Wrench (ball end recommended)	
Rubber Mallet	

Parts Used in this Step			
ITEM	PART#	DESCRIPTION	QTY
1	PLS-00-PST000X	ASSEMBLY, PLS WEIGHT HORN (ACTIVE-LONG)	2
2	PLS-00-PST030X	ASSEMBLY, WEIGHT HORN (STORAGE-SHORT)	6
3	PLS-00-CAP005	ALM BOLT CAP	8
4	C 749B	LOCK WASHER, 3/8", BLK ZP	8
5	C 622A	SHCS, 3/8"-16 X 3/4"	8

- A. Using a 5/16" allen wrench, remove and set aside the socket head cap screws, lock washers, and caps from the active and storage weight post assemblies.



- B. Attach the active (long) weight post assemblies to the arm assemblies and attach the storage (short) weight post assemblies to the side frame assemblies:
- Line up flat edges of the weight post axles with the flat edges of the shafts and using a rubber mallet, lightly tap the weight post axles into the shafts.
  - Using a 5/16" allen wrench, attach the socket head cap screws, lock washers, and caps to secure the weight post assemblies to the frame.



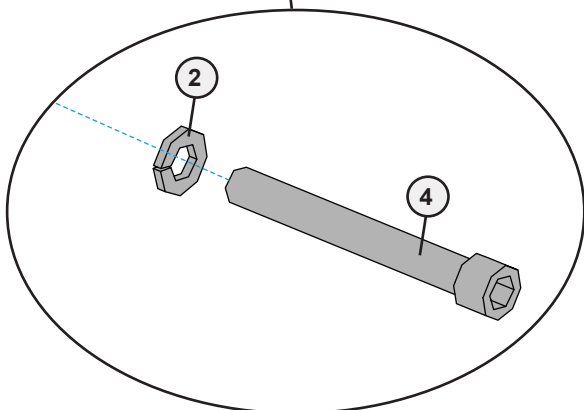
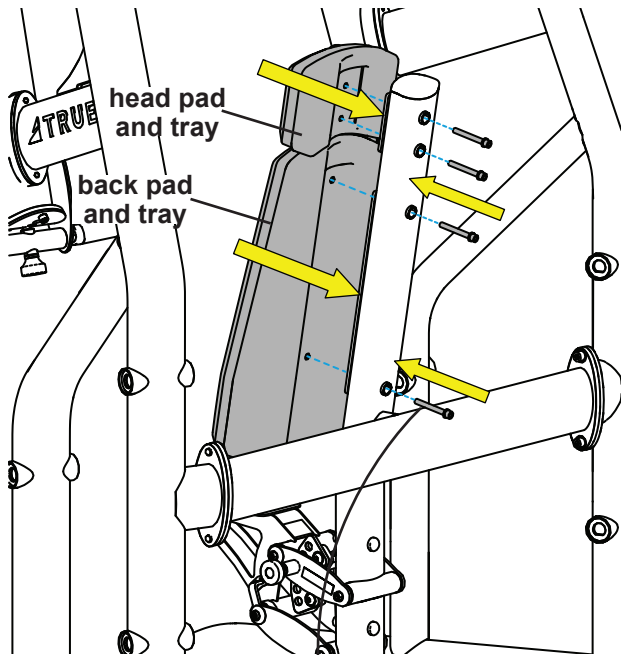
## STEP 5—ATTACH PADS TO SEAT FRAME

Tools Used in this Step	
5/16" Allen Wrench (ball end recommended)	

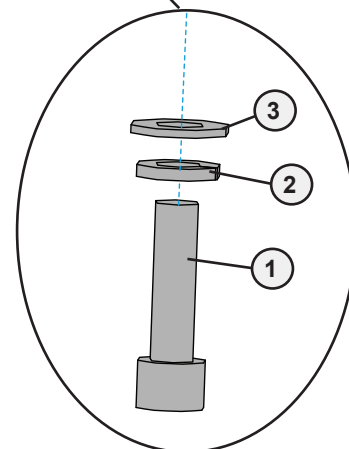
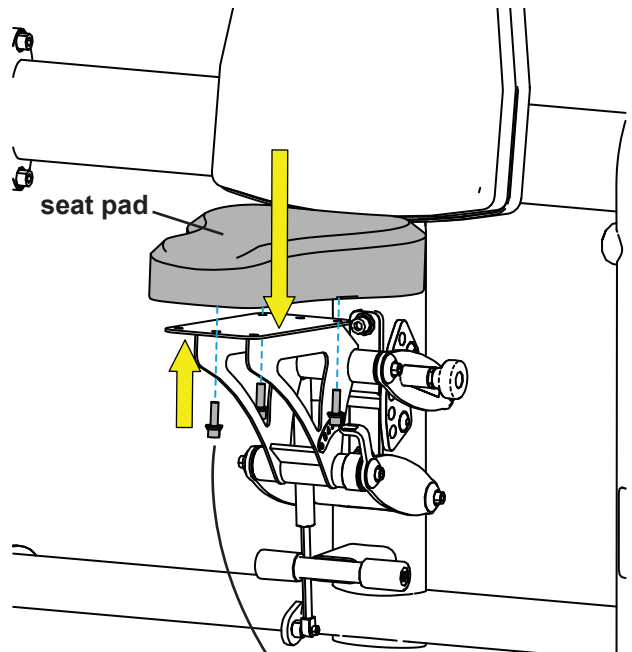
Parts Used in this Step			
ITEM	PART#	DESCRIPTION	QTY
N/A	PLS0100 PAD KIT	PAD KIT PLS0100	1
PAD KIT HARDWARE			
1	C 635	SHCS, 3/8"-16 X 3-3/4"	3
2	C 749B	LOCK WASHER, 3/8", BLK ZP	7
3	C 754B	WASHER, FLAT, 3/8" SAE, BLK	3
4	C 631A	SHCS, 3/8"-16 X 3" BLK	4

- A. Using a 5/16" allen wrench, attach the four socket head cap screws and lock washers to secure the head and back pad assemblies to the seat frame assembly.

**CAUTION:** Avoid damage to the pads. Verify the head and back pad assemblies include both the pads and the plastic trays.



- B. Using a 5/16" allen wrench, attach the three socket head cap screws, lock washers, and flat washers to secure the seat pad assembly to the seat frame assembly.

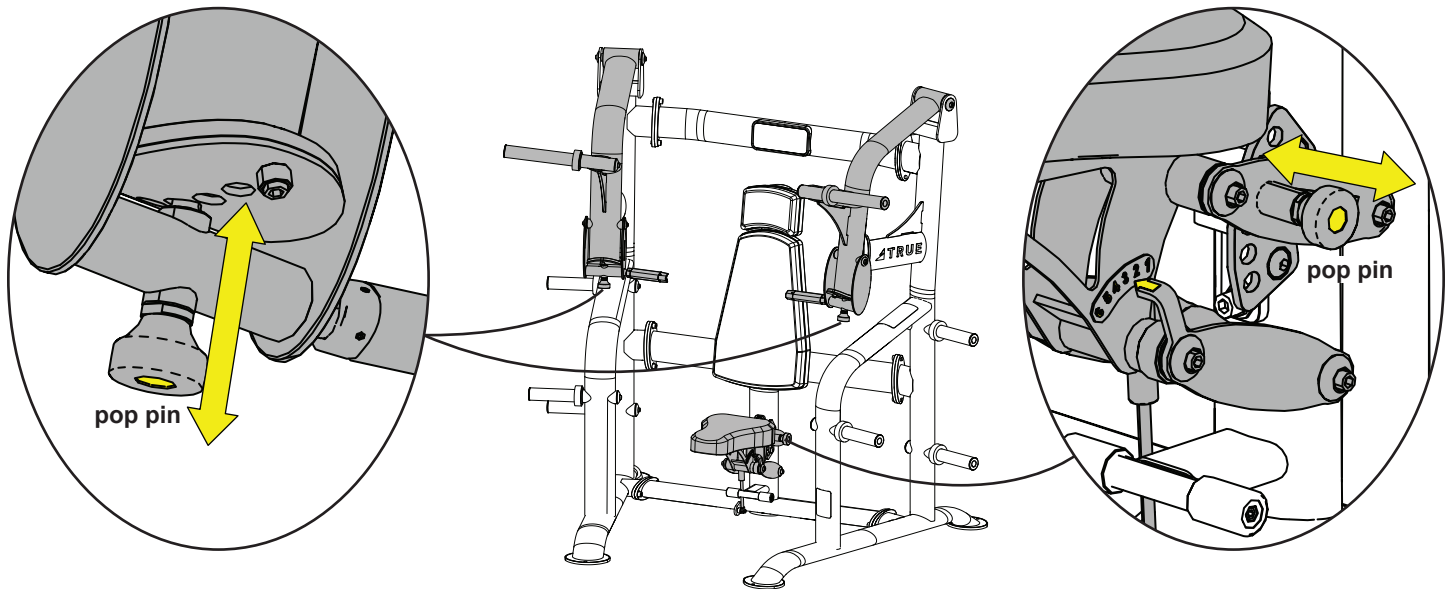


## STEP 6—VERIFY ALL ADJUSTMENTS FUNCTION AS INTENDED

Pull the pop pin out and place it into each of the adjustment holes for both the right and left arms and the seat assembly.

**NOTE:** The arms have five adjustment holes, the seat has six.

**IMPORTANT!** Verify the pin inserts in and out of each hole completely.

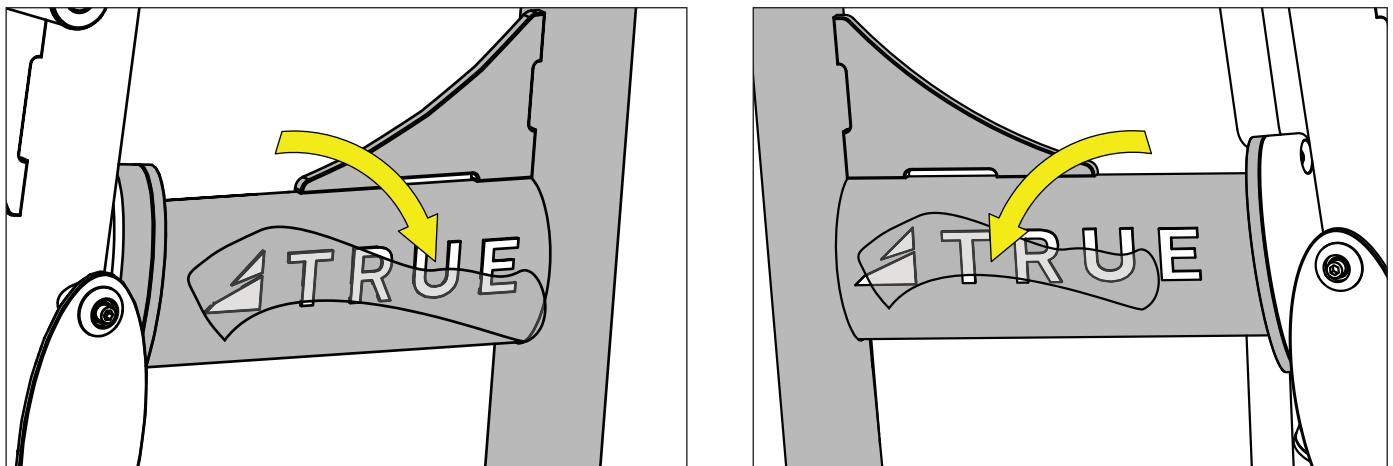


If any of the adjustments are not functioning as intended, contact TRUE product support:

- [service@truefitness.com](mailto:service@truefitness.com)
- 800.883.8783

Monday - Friday 8:30am - 5:00pm (CST)

## STEP 7—REMOVE PROTECTIVE FILM FROM LOGOS





## PREVENTATIVE MAINTENANCE

Preventative maintenance is crucial to maintaining the function and safety of this equipment. Your facility must establish written guidelines for preventative maintenance and keep written or online records of the maintenance performed on these products. As a minimum, the items presented in the Safety Instructions section of this document and the items that follow here, should be included in your maintenance program.

**IMPORTANT!** Always purchase replacement parts from TRUE. Many parts are tested and manufactured specifically for TRUE equipment. Use of unapproved parts may cause serious injury and/or void the limited warranty.

## DAILY INSPECTION AND MAINTENANCE

The following items are critical to the safety of users and maintenance staff as well as ensuring the optimum performance of the machines. These inspections should be performed each day before the equipment is subject to use. TRUE is not responsible for performing or scheduling regular maintenance or inspections.

- Inspect for cleanliness. Wipe and dry the upholstery, frame, and chrome. (See cleaning the equipment.)
- Inspect all adjustment pins, weight stack pins, set screws, gas shocks, snap links, and pulleys if equipped.
- Inspect all safety and instructional decals.
- Inspect all weight stack shields if equipped.
- Verify that rubber hand grips are intact and secure.
- Verify that anti-skid foot grips are intact and secure.

## WEEKLY INSPECTION AND MAINTENANCE

The following items are critical to the safety of users and maintenance staff as well as ensuring the optimum performance of the machines. These inspections should be performed each week. TRUE is not responsible for performing or scheduling regular maintenance or inspections.

- Verify that the adjustment pop pins retract easily and fully engage (when released) into each adjustment disc hole/slot. The pop pins are spring loaded so they should return to the engaged position when you release the knob.
- Verify that the adjustment pin disengages and engages freely when actuating the adjustment mechanism. Be sure that the adjustment pin inserts fully into the adjustment disc.
- Verify that all hardware is tight and that associated frame members are secure. Apply a few small drops of a thread locking compound such as Loctite® on any loose bolts.
- Inspect frame for integrity and function. Replace any components at the first sign of wear with only TRUE supplied parts.

## OTHER SCHEDULED PREVENTATIVE MAINTENANCE

TRUE recommends that scheduled maintenance be performed by a qualified service technician. Please contact your dealer or visit [www.truefitness.com](http://www.truefitness.com) to contact a local TRUE authorized service technician.

### Monthly

Clean guide rods and lubricate with a Teflon grease if equipped with guide rods.

### Every 6 Months

Lubricate pivot bearing and linear bearings with lithium grease.



## CLEANING THE EQUIPMENT

### Daily Cleaning

Wipe all machines with a water dampened cloth and dry completely. This includes painted parts, chrome plated parts (except guide rods), plastic parts, and upholstered pads. It is important not to leave parts damp. This will increase the potential for corrosion to occur.

**▲CAUTION:** Certain anti-bacterial cleaners and other harsh cleaning agents can induce corrosion on the machine components. These solutions can also dry out and cause cracking and splitting on the upholstery.

### Heavy Duty Cleaning

- Guide Rods (if equipped)—Clean and lubricate with a Teflon Spray. Be sure to coat the entire guide rod. Spraying lubricant into the cap plate bushings is also recommended.
- Chromed Adjustment Tubes—Wipe away dust and dirt before applying a Teflon spray lubricant. TRUE recommends using Tri-Flow™ or a similar brand.
- Linear Bearings—Clean the linear shaft and lubricate (as required) with Teflon based grease. Keeping linear bearings clean and lubricated is critical to long life and good performance.
- Painted Frames—If you have scuff marks, grease or a heavy dirt buildup on frame components, start with a mild soap solution or a diluted solution of a product such as Simple Green with a dilution of 32:1. If you cannot remove the marks using those methods, use a car polish/cleaner. **DO NOT** use solvents such as lacquer thinner, mineral spirits or acetone. For deeper scuff marks, use an automobile finish rubbing compound.
- Upholstery—For heavy duty cleaning, use a mild soap solution. This method should be sufficient in the majority of instances. In severe stain cases, you can use a solution of 5-10% household bleach diluted with water. Be sure to test an inconspicuous area first. **DO NOT** use chemical cleaners on the vinyl upholstery. You can also use a lanolin based hand cleaner to clean your upholstery. Wipe off after cleaning with a damp cloth and thoroughly dry.
- Plastic Parts—Use a mild soap solution to clean dirt and grease marks.
- Labels—Use a mild soap solution to clean dirt and grease marks.
- Shrouds—Use a mild soap solution to clean dirt and grease marks.

**▲CAUTION:** Do not use any acidic cleaners. Doing so will weaken the paint or powder coatings and may void the TRUE Warranty. Never pour or spray liquids on any part of the equipment. Allow the equipment to dry completely before using.

**▲CAUTION:** If you determine that the equipment needs service, make sure that the equipment cannot be used inadvertently and ensure other users know that the machine needs service.

To order parts or to contact a TRUE authorized service representative, please visit [www.truefitness.com](http://www.truefitness.com).



# WARRANTY INFORMATION

## PLS1100 LIMITED WARRANTY

SAVE TIME AND REGISTER ONLINE!

<https://truefitness.com/support/warranty-registration/>

All TRUE® Fitness products are distributed by TRUE and are warranted to the original registered product purchaser and the parts of the TRUE product (the “Product”) listed below, under normal use and service, shall be free of manufacturing defects in workmanship and materials only for the period of time beginning from the original date of purchase set forth below.

WARRANTY ITEM	DURATION
<b>Frame*</b> Frame components and welds excluding coatings	10 Years
<b>Parts</b> Bushings, sealed rotating bearings, pulleys, weight plates and guide rods excluding coatings	5 Years
Cables, linear bearings and shafts and all other components not mentioned elsewhere in this warranty	1 Year
Wear items; normal wear parts including but not limited to labels, upholstered pads, and grips	90 Days
<b>Labor</b> Frame	1 Year
Parts	1 Year
Wear Items	90 Days

### NOTES:

- Warranty valid for USA and Canada only.
- Failure to register this product will result in no servicing or authorization of parts to be shipped.
- Buying after-market products from a 3rd party will result in voided warranty.
- This product is intended for commercial use which includes non-dues paying facilities where usage exceeds 8 hours per day. If this product will not be used in this particular setting, please contact TRUE as this warranty is void.

### DO NOT RETURN TO THE RETAILER

TRUE limited warranty service may be obtained by contacting the authorized TRUE dealer from whom the Product was purchased. If the dealer from whom the Product was purchased, is no longer an authorized TRUE dealer, TRUE limited warranty may be obtained by contacting TRUE Product Support:

- [service@truefitness.com](mailto:service@truefitness.com)
- 800.883.8783

Monday - Friday 8:30am - 5:00pm (CST)

### FRAME

\*This limited warranty on the structural frame does not include paint or coatings. The frame is defined as the serialized base of the unit and does not include any parts that can be removed. Warranty applies to the value of the frame only and does not cover labor, shipping, or other costs associated with removal or replacement of the covered unit. Frame warranty shall not exceed seven years after discontinuation of this specific model.

### PARTS

The parts are warranted for defects in material and workmanship for five years with one year labor warranty. Cables, linear bearings and shafts, and all other components not mentioned elsewhere in this warranty have one year parts warranty and one year labor warranty. This limited warranty does not cover damage or equipment failure resulting from or caused by improper assembly/installation, failure to follow instructions and warnings in the owner’s manual, accident, misuse, abuse, unauthorized modification, or failure to provide reasonable and necessary maintenance.

### WEAR ITEMS

The cosmetic parts, coatings, grips and upholstery are warranted for defects in material and workmanship for 90 days with labor warranty to match the parts warranty period. This limited warranty does not cover damage or equipment failure resulting from or caused by improper assembly/installation, failure to follow instructions and warnings in the owner’s manual, accident, misuse, abuse, unauthorized modification, or failure to provide reasonable and necessary maintenance. This limited warranty will apply to, but may not be limited to, plastic covers, shrouds, caps, badges, overlays, paint, coatings, labels, upholstered pads, and grips.

### LABOR

Labor is covered for the specified period of time from the date of purchase, unless otherwise expressed within this limited warranty as long as a TRUE authorized service provider performs the service. Service that requires over 50 miles of travel may be subject to additional charges.

### REASONABLE AND NECESSARY MAINTENANCE

Failure to perform proper maintenance as specified in the owner’s manual will void this limited warranty. Proof/ receipts of necessary maintenance may be required within 30 days of requested warranty part or service.



SAVE TIME AND REGISTER ONLINE!

<https://truefitness.com/support/warranty-registration/>

**THE TRUE LIMITED WARRANTY IS SUBJECT TO AND WILL BE IN ACCORDANCE WITH THE CONDITIONS SET FORTH BELOW:**

1. This limited warranty is valid for the United States and Canada only.
2. This product is intended for specified use. If this product will not be used in the specified setting, please contact TRUE as this warranty is void, unless otherwise stated and within this warranty.
3. This limited warranty gives you specific legal rights, and your rights may vary from state to state.
4. This limited warranty is in lieu of all other warranties of any kind either expressed or including but not limited to implied warranties of merchant.
5. This limited warranty can be processed only if the warranty registration form is completed on-line; or if the attached form is filled in, signed by the original purchaser, and mailed to TRUE within 30 days of purchaser's receipt of this Product. The serial number must be intact on the Product for this limited warranty to be valid.
6. TRUE will neither assume nor authorize any person to assure for us any other obligation or liability concerning the sale of this Product. Under no circumstances shall TRUE be liable under this warranty, or otherwise, of any damage to any person or property, including any lost profits or lost savings, for any special, indirect, secondary, incidental, or consequential damages arising out of the use of or inability to use this Product.
7. Failure to register this product within 30 days of purchase will result in no servicing or authorization of parts to be shipped.
8. Installation or download of any 3rd party or after-market products will result in voided warranty. Includes but not limited to electrical and mechanical parts, software, or applications.
9. TRUE will ship to any authorized service provider any new or rebuilt replacement part or component, or at our option, replace or refund the Product. Replacement parts are warranted for the remaining portion of the original warranty period.
10. No one is authorized to change, modify, or extend the terms of this limited warranty.
11. This limited warranty applies to the Product only while the Product remains in the possession of the original purchaser and is not transferable.
12. This limited warranty becomes VALID ONLY if the Product is initially assembled/installed by a TRUE authorized dealer/technician (if anyone other than a TRUE authorized dealer/technician initially assembles and installs the Product, this limited warranty will be void unless the written authorization of TRUE is first obtained).
13. This limited warranty does not cover damage or equipment failure resulting from or caused by improper assembly/ installation, failure to follow instructions and warnings in owner's manual, accident, misuse, abuse, unauthorized modification, or failure to provide reasonable and necessary maintenance (as referenced in the owner's manual). Proof/receipts of necessary maintenance may be required within 30 days of requested warranty part or service.
14. This limited warranty applies only to the cost of repair or replacement of parts and does not include labor (beyond the above warranty period), transportation, service, return, and freight charges associated there with except as expressly specified herein.
15. This limited warranty shall not apply to: Service calls to correct installation of the equipment or instruction to owners on how to use the equipment; or any labor costs incurred beyond the applicable labor warranty period.
16. This limited warranty, which is given expressly and in lieu of all other express warranties, constitutes the only warranty made by TRUE.
17. **ANY IMPLIED WARRANTY, INCLUDING WITHOUT LIMITATION THE WARRANTIES OF MERCHANTABILITY AND FITNESS FOR A PARTICULAR PURPOSE, IS LIMITED IN DURATION AND REMEDY TO THE TIME PERIOD COVERED BY THE LIMITED WARRANTY. SOME STATES DO NOT ALLOW LIMITATIONS ON HOW LONG AN IMPLIED WARRANTY LASTS, SO THE ABOVE LIMITATION MAY NOT APPLY TO YOU.**
18. **THE REMEDIES DESCRIBED HEREIN ARE YOUR SOLE AND EXCLUSIVE REMEDIES AND TRUE'S ENTIRE LIABILITY FOR ANY BREACH OF THIS LIMITED WARRANTY. TRUE'S LIABILITY SHALL UNDER NO CIRCUMSTANCES EXCEED THE ACTUAL AMOUNT PAID BY YOU FOR THE PRODUCT, NOR SHALL TRUE UNDER ANY CIRCUMSTANCES BE LIABLE FOR ANY CONSEQUENTIAL, INCIDENTAL, SPECIAL OR PUNITIVE DAMAGES OR LOSSES, WHETHER DIRECT OR INDIRECT. SOME STATES DO NOT ALLOW THE EXCLUSION OR LIMITATION OF INCIDENTAL OR CONSEQUENTIAL DAMAGES, SO THE ABOVE LIMITATION OR EXCLUSION MAY NOT APPLY TO YOU.**

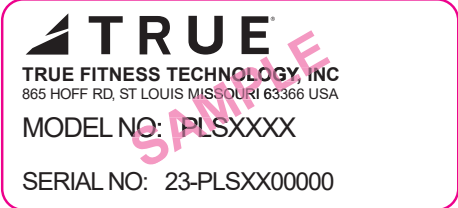
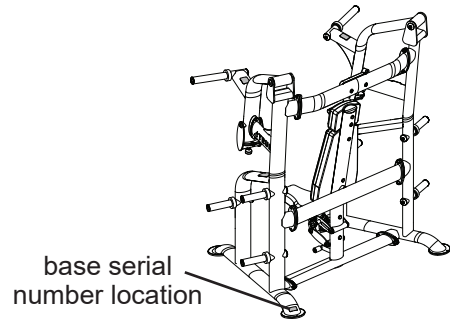
**NOTE TO AUTHORIZED WARRANTY LABOR PROVIDERS**—Warranty labor reimbursement or warranty parts rights may not be transferred to, or reassigned to, a third party without the express written consent of TRUE. Even jobbing out warranty labor requires TRUE's written approval.

**SAVE TIME AND REGISTER ONLINE!**  
<https://truefitness.com/support/warranty-registration/>

**PLATE LOADED STRENGTH SERIAL NUMBER:**  
 The PLS1100 comes with one serial number on the base of the machine. Please write down your serial number below and keep for your records.

**PLEASE KEEP THIS FOR YOUR RECORDS**

RETAIN THIS PORTION  
 BASE SERIAL NUMBER:



Thank you for purchasing a TRUE product. To validate the TRUE product warranty the fast and easy way, please go on-line now to truefitness.com and register your product. The information you provide will never be distributed to any other individuals or agencies for any purpose. If you prefer to mail your warranty card, have the owner of the product complete the information below and return it to TRUE Fitness within 30 days from the date of equipment installation.

**IMPORTANT! Failure to register this product will result in no servicing or authorization of parts to be shipped.**

To mail your warranty information, please fill in the information below and mail to: Service Dept., TRUE Fitness, 865 Hoff Road, St. Louis, MO 63366 (or save postage and register online at [www.truefitness.com](http://www.truefitness.com)).



**Warranty Registration**

**Base Serial Number**

**Purchase Date**

**Company (if applicable)**

**Customer Name (First and Last)**

**Email Address**

**Phone Number**

**Street Address**

**City**

**State**

**Postal Code**

**Country**



CONTACT US  
service@truefitness.com  
1.800.883.8783

865 Hoff Road  
St. Louis, MO 63366

TRUEFITNESS.COM

